

# DASH INSTALL FAQ



# TABLE OF CONTENTS

---



---

## Resting Tabletops

Concave Connecting Beam .....	3
Straight Connecting Beam .....	4
Post Legs .....	5

## Freestanding Tabletops

Concave Connecting Beam .....	6
Straight Connecting Beam .....	7
Post Legs .....	8

## Return Tabletops

Concave Connecting Beam .....	9
Straight Connecting Beam .....	10
Post Legs .....	11

## Resting Bridge Tabletop

Inset/Taper Legs .....	12
Post Legs .....	13

## Freestanding Bridge

## Conference Tables

Round and Square Tables with Post Legs .....	15
--	----

## Dash 2 Stage

Leg Encasement .....	16
Fixed Modesty .....	18
23”H Credenza .....	19

## Dash Casegoods

Desk Shell .....	21
Return Shell .....	22
Open Bridge .....	23
Desk Shell and Return .....	24

## Storage

Hutch Overhead .....	25
Shared Hutch Overhead.....	26
Wall Mounted Overhead .....	27
Wall Mounted Tackboard .....	29

## Interra Connectors

Credenza Brackets .....	30
Panel Mount Kit .....	31

## Components

Modesty Panel .....	32
Privacy Screen .....	33
Credenza Feet Installation .....	34
Credenza Feet Matrix.....	35

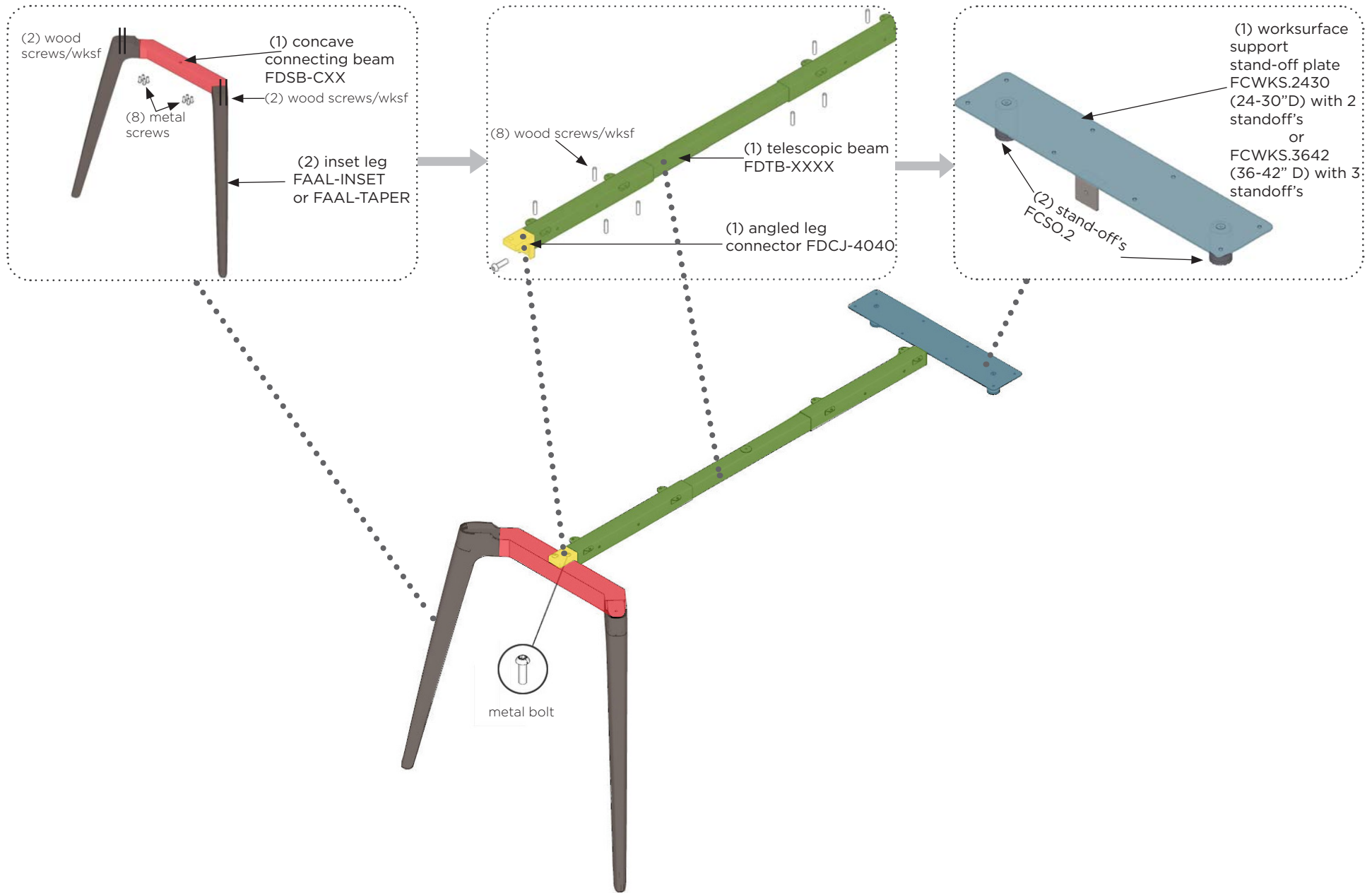
## Electrical Distribution

Credenza Power: Single Circuit .....	36
Credenza Power: Four Circuit .....	37
4 Circuit Wire Diagram.....	38
Chicago Power Box.....	39

## Image Key .....

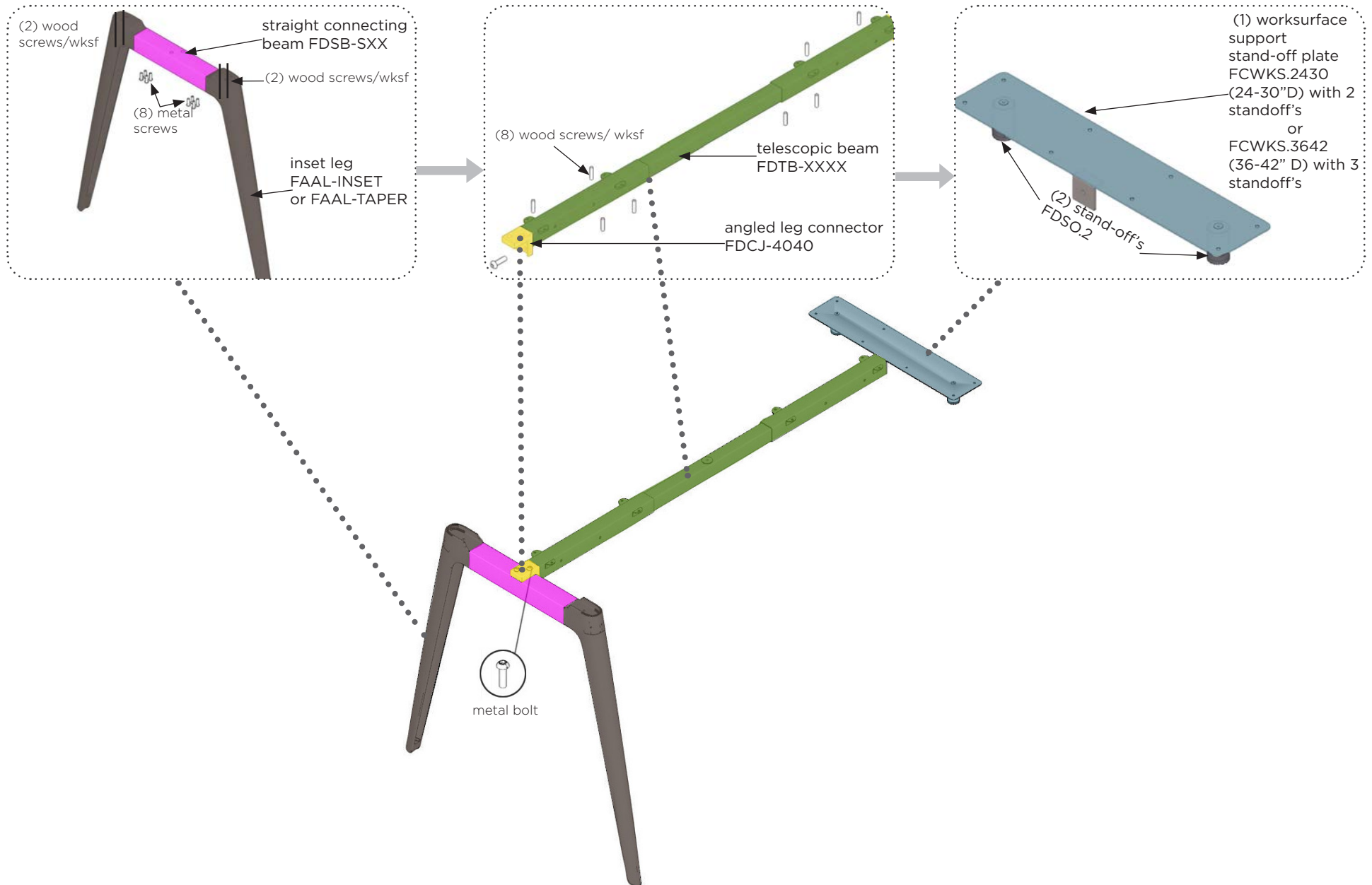
# Resting Tabletops

Concave Connecting Beam, for use with 26" high credenza



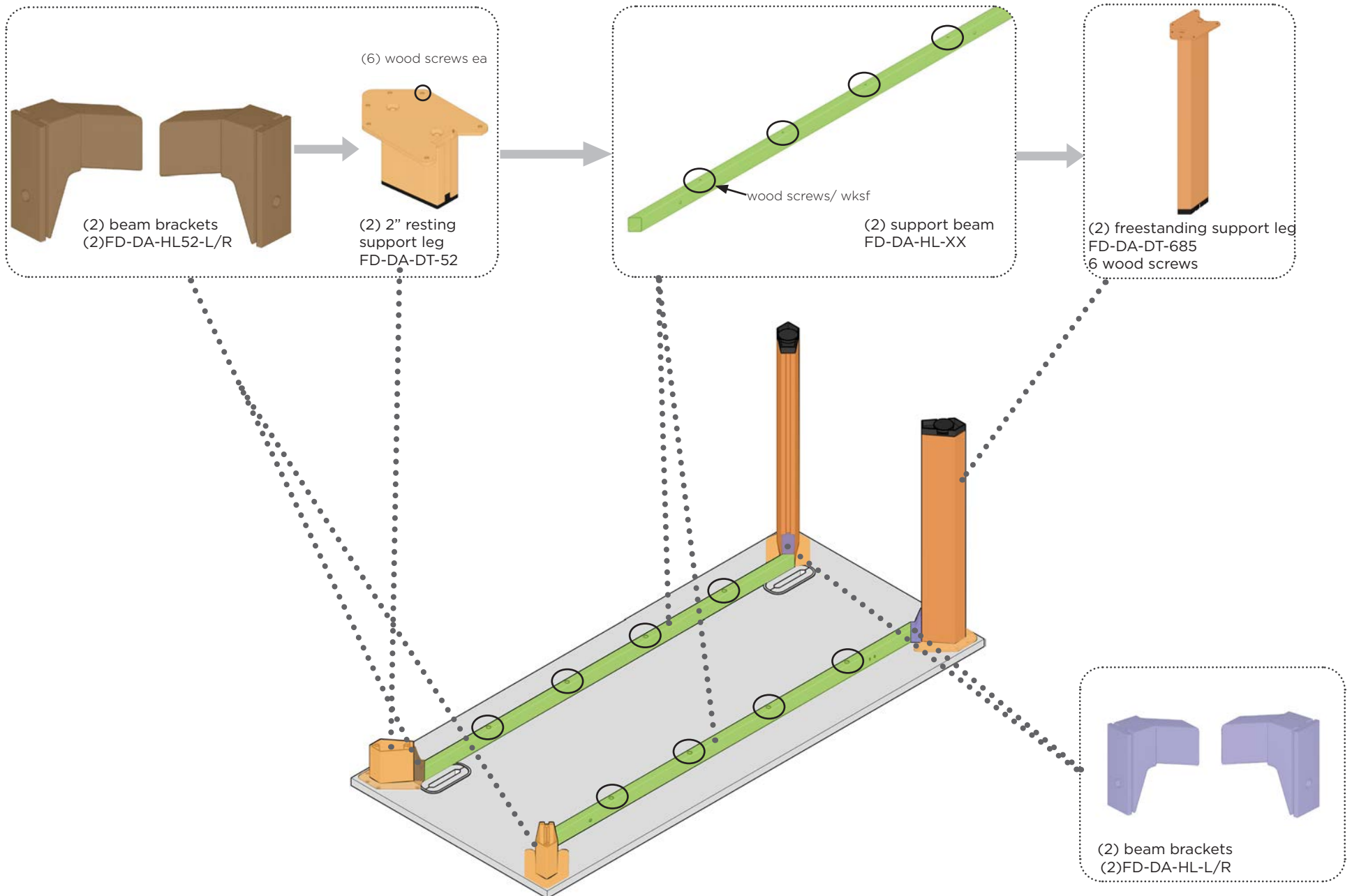
# Resting Tabletops

Straight Connecting Beam, for use with 26" high credenza



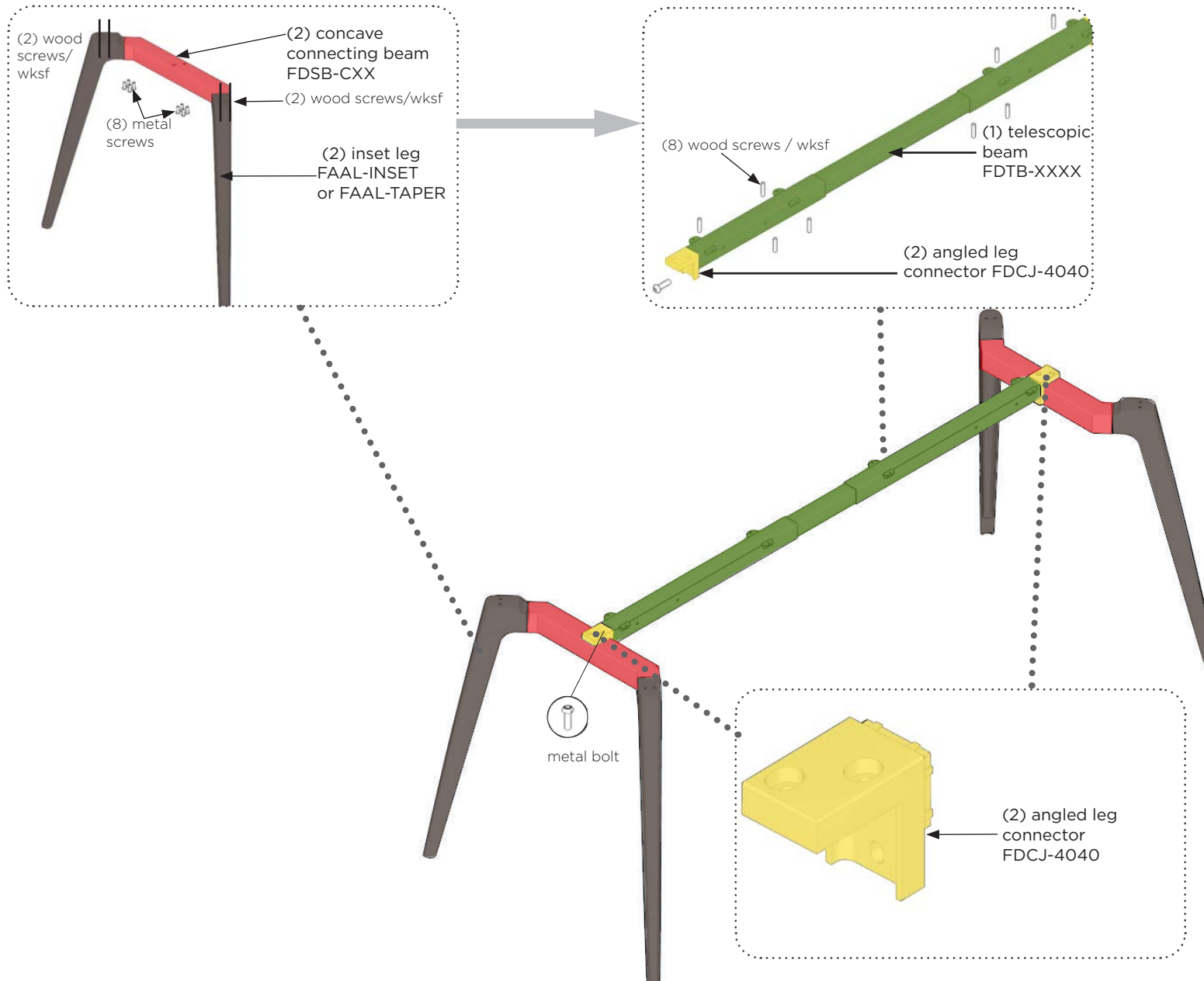
# Resting Tabletops

Post Legs, for use with 26" high credenza



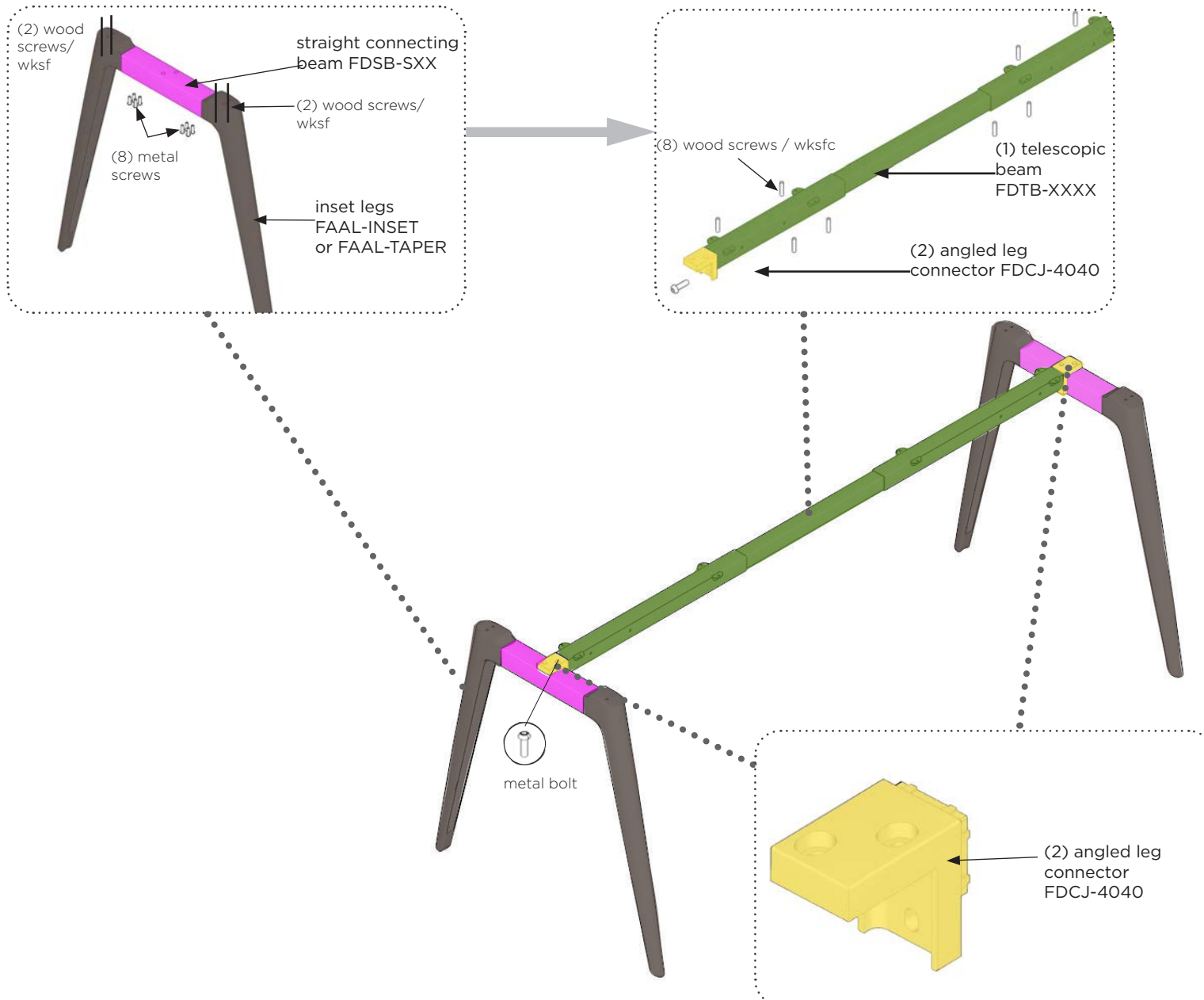
# Freestanding Tabletops

## Concave Connecting Beam



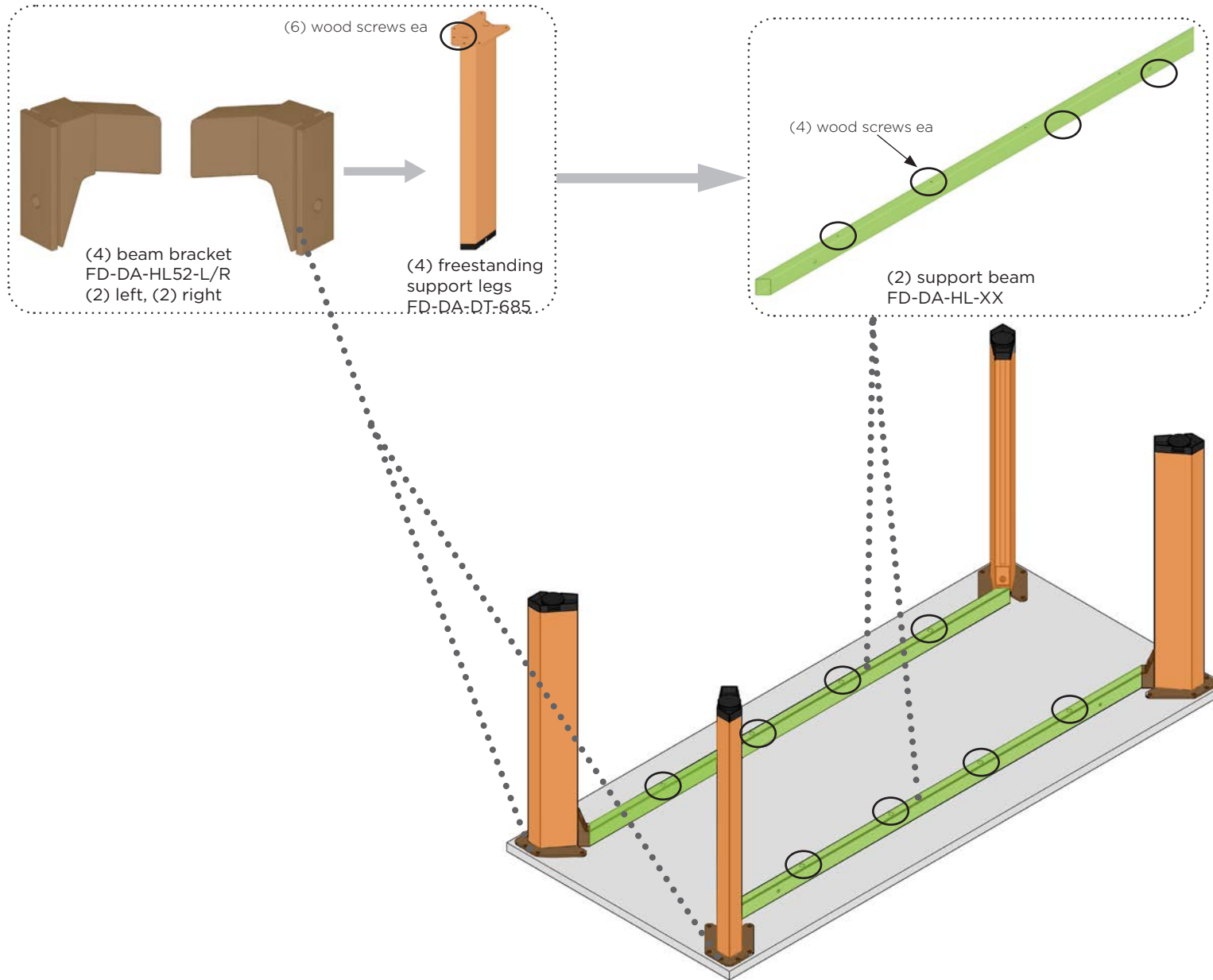
# Freestanding Tabletops

## Straight Connecting Beam



# Freestanding Tabletops

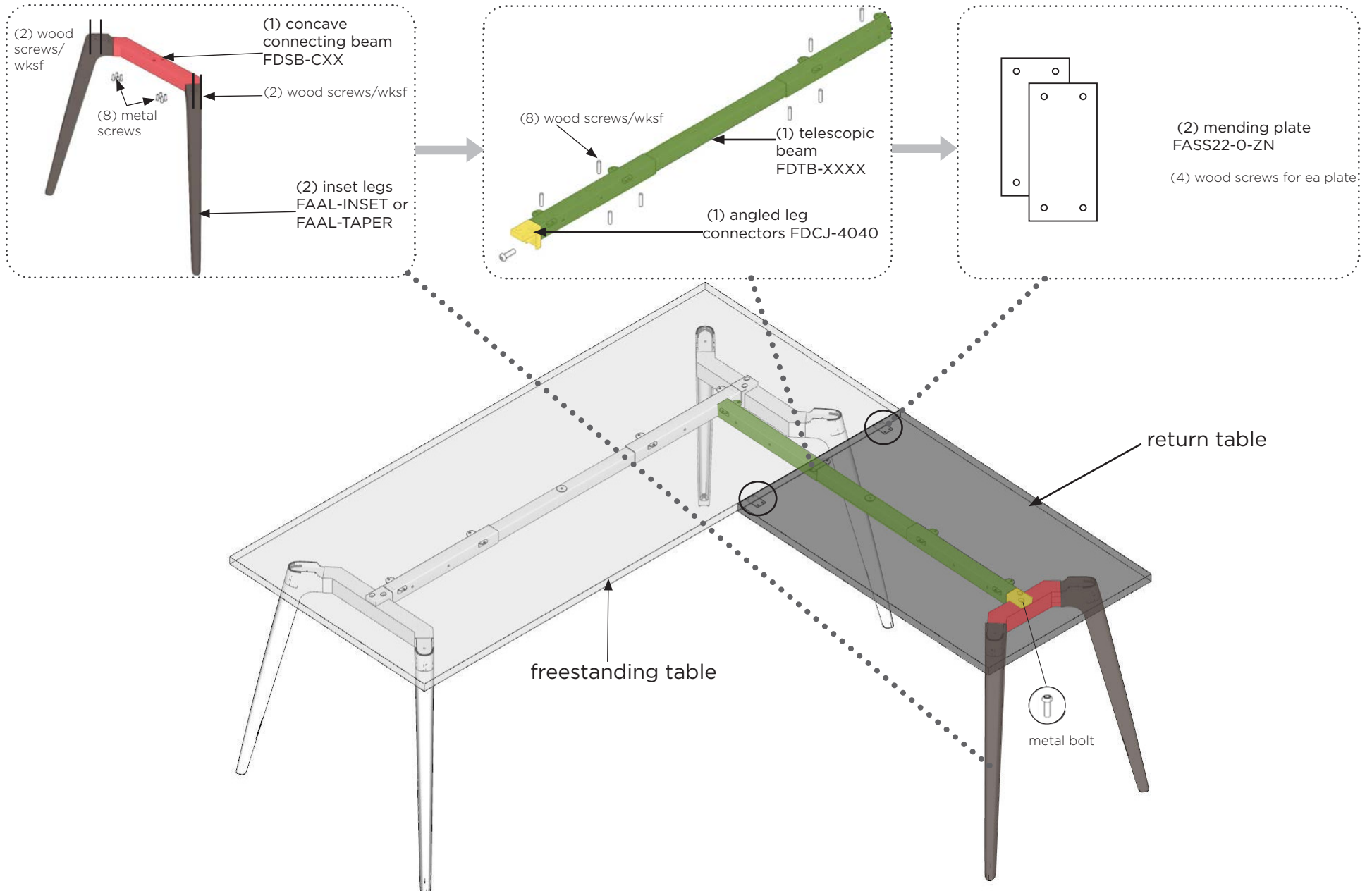
## Post Legs





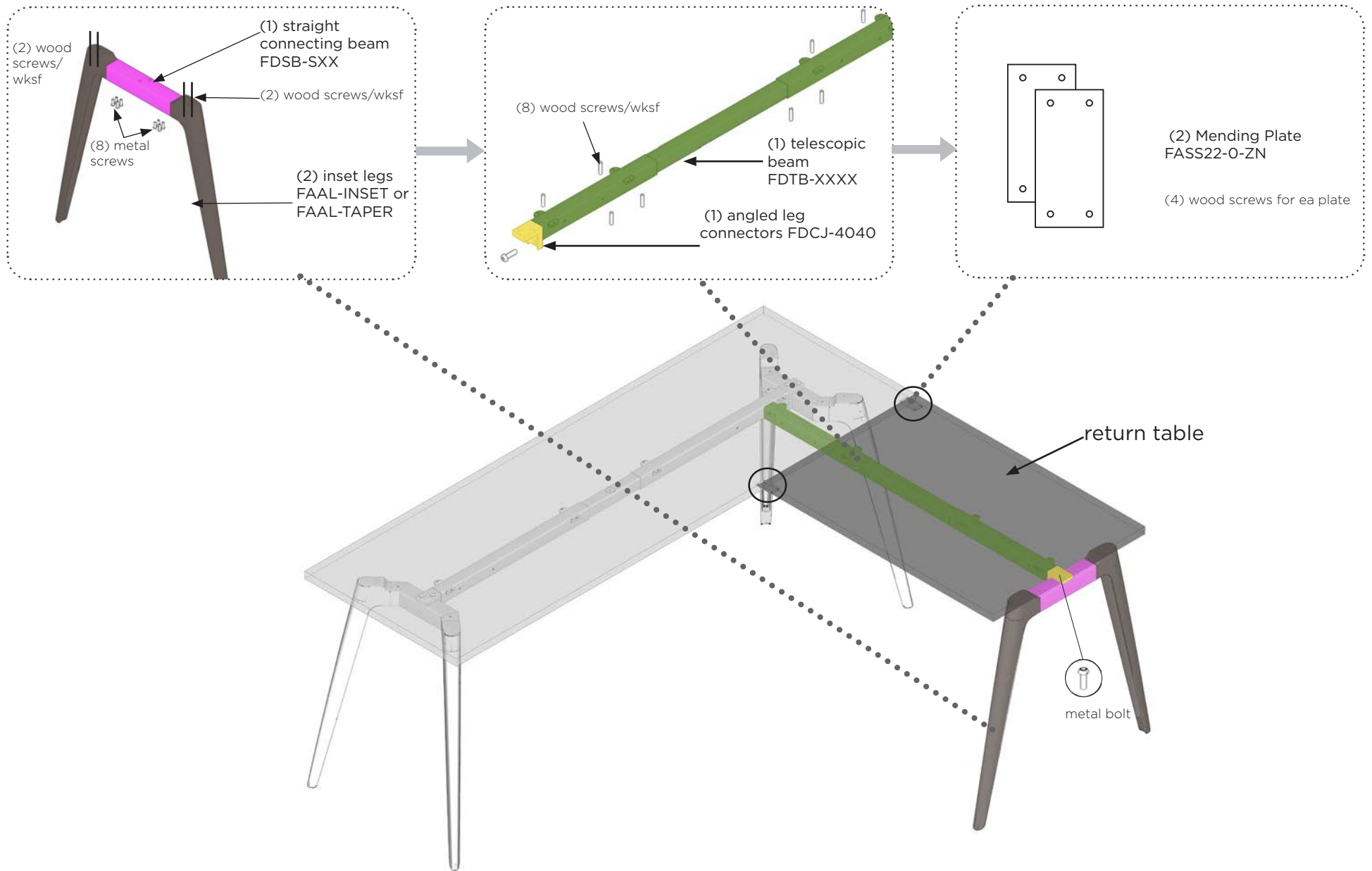
# Return Tabletops

## Concave Connecting Beam



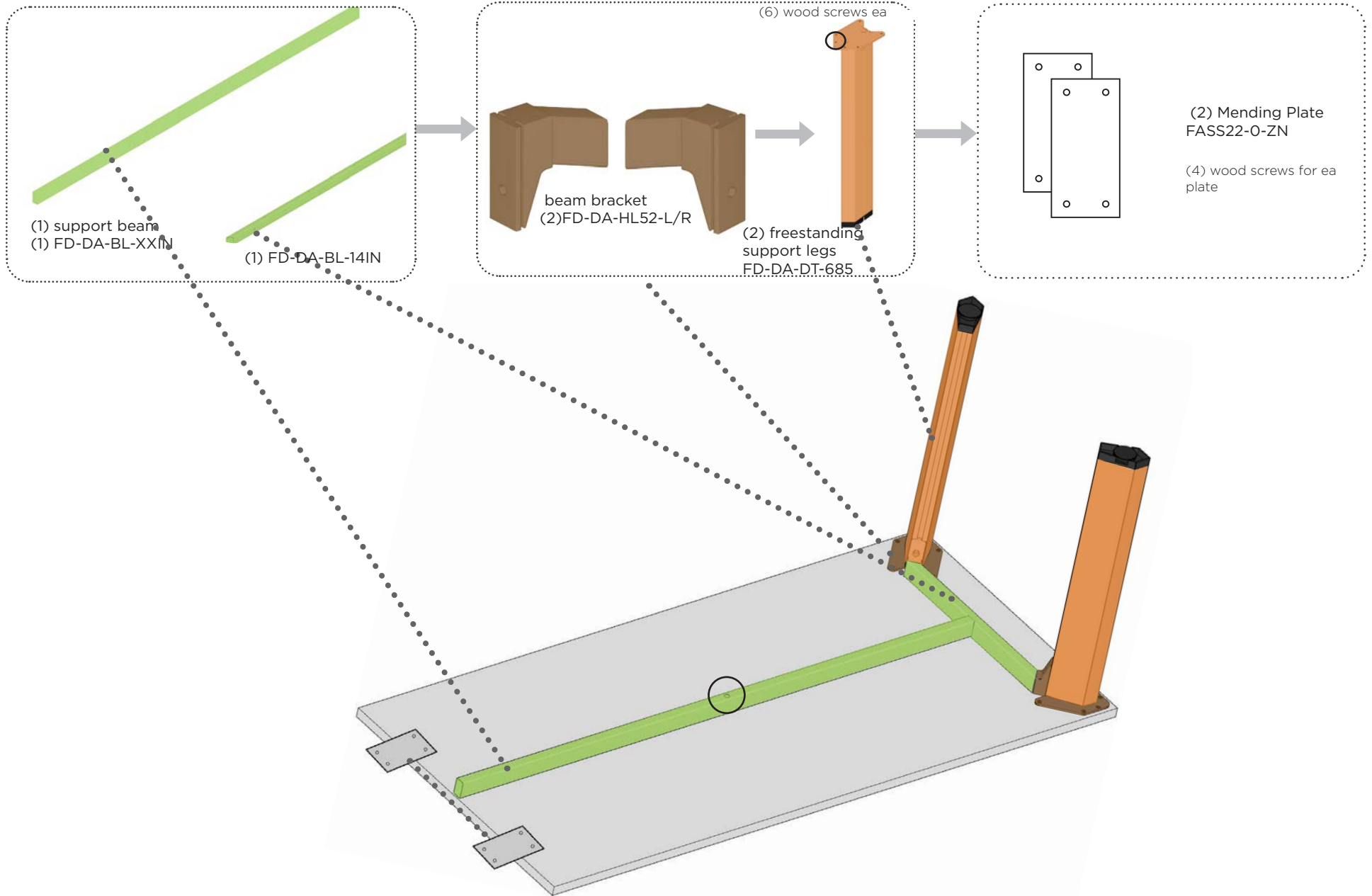
# Return Tabletops

## Straight Connecting Beam



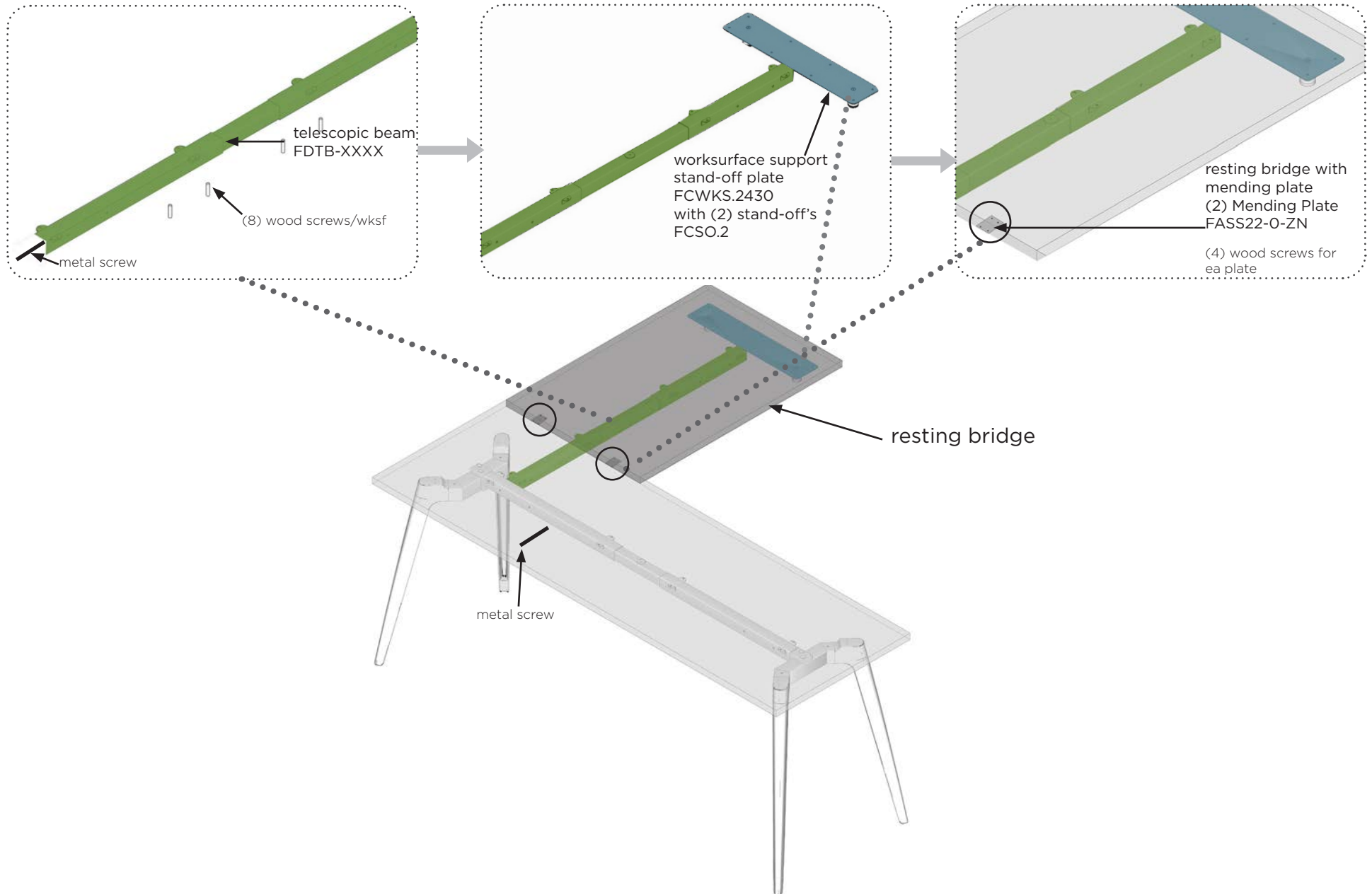
# Return Tabletops

## Post Legs



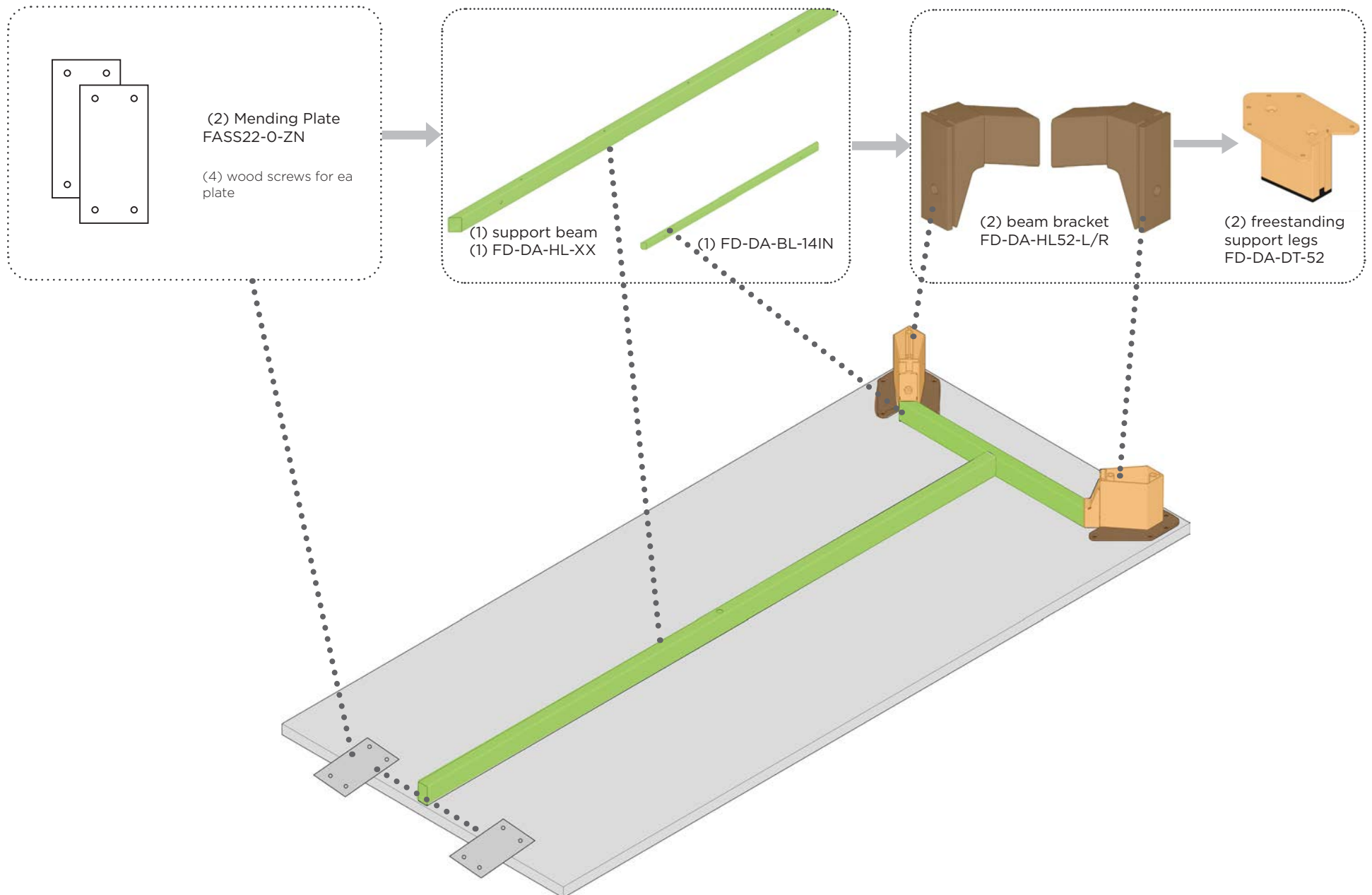
# Resting Bridge Tabletops

Inset/Taper legs, for use with 26" high credenza

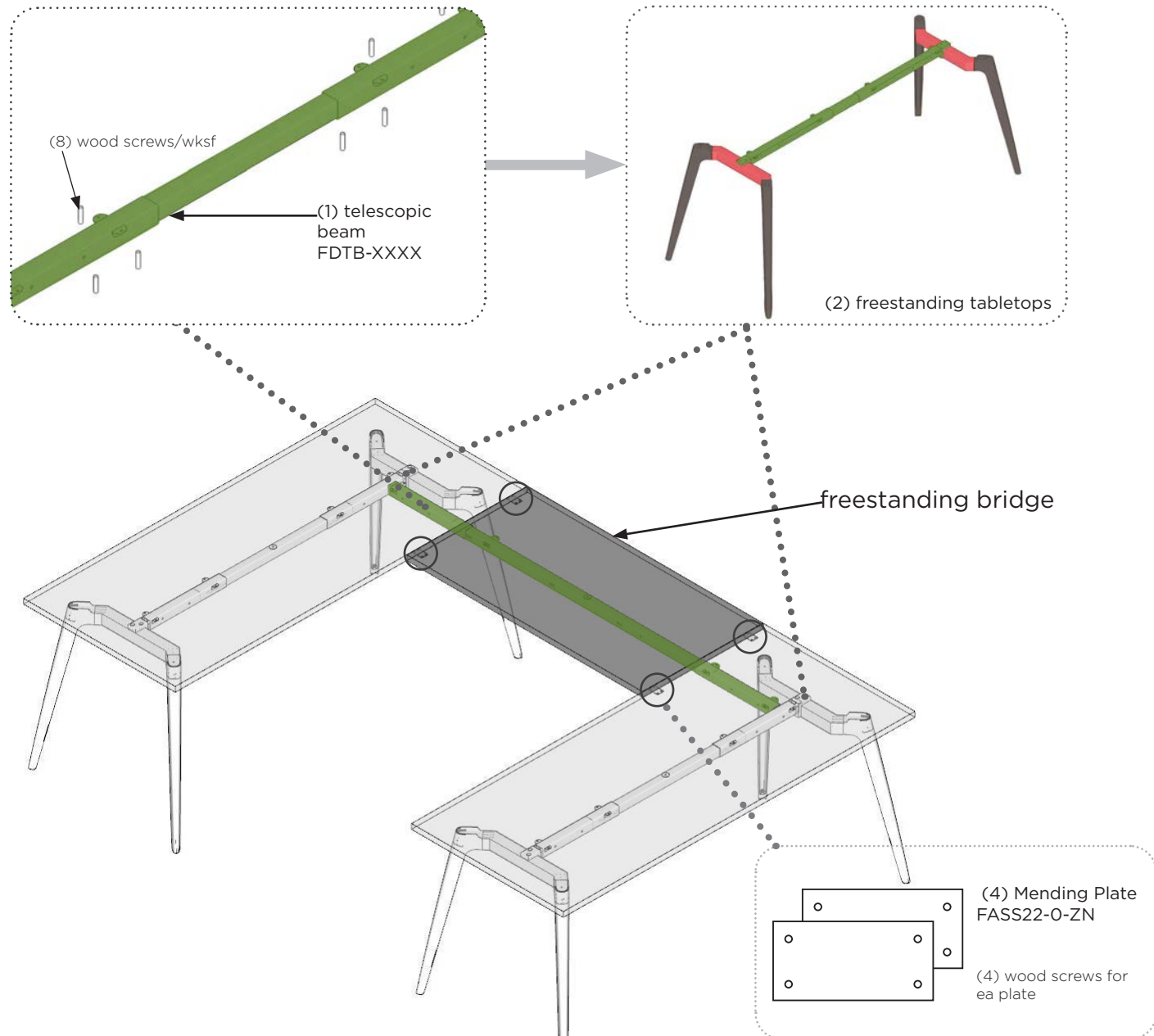


# Resting Bridge Tabletops

Post Legs, for use with 26" high credenza

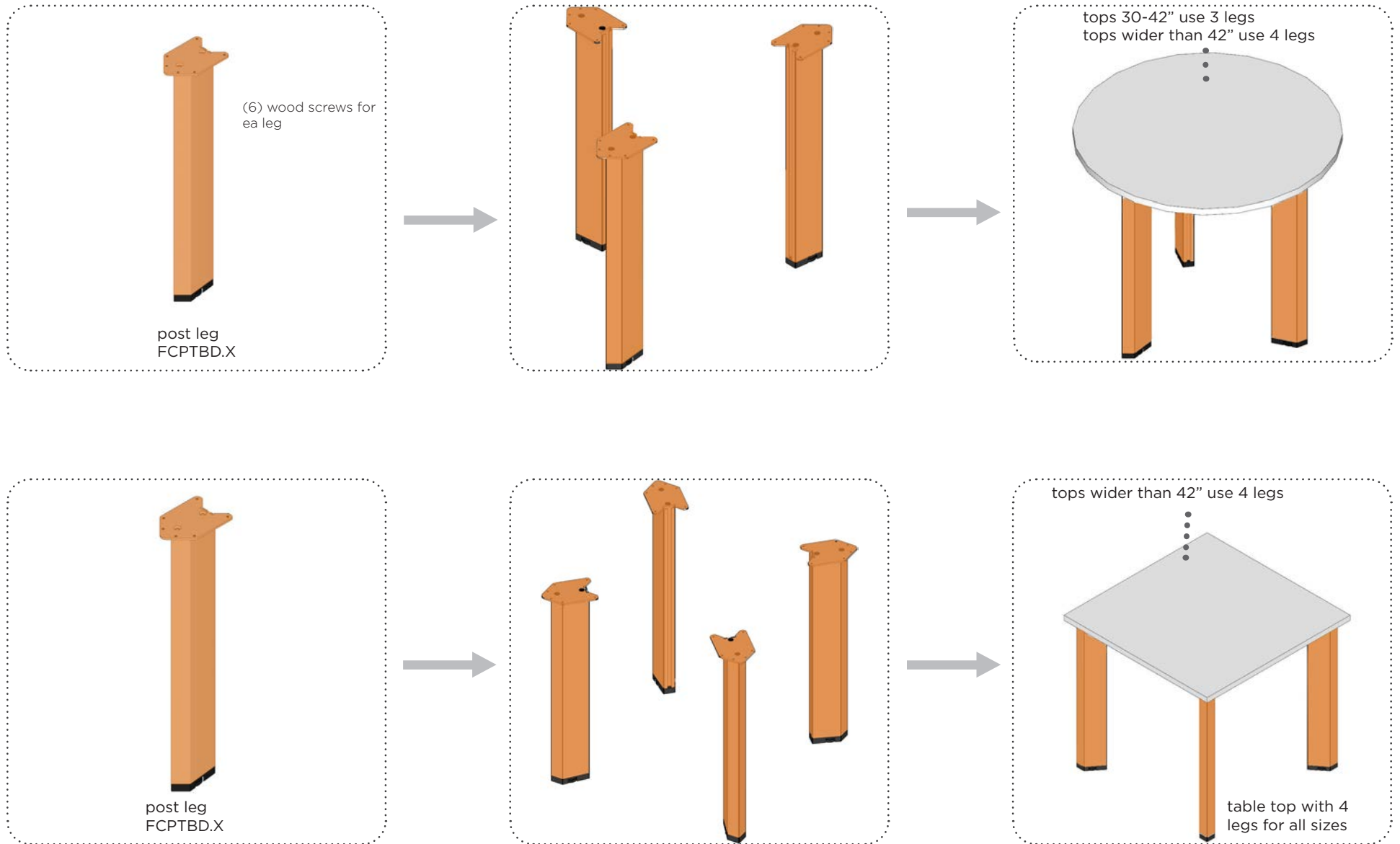


# Freestanding Bridge Tabletops



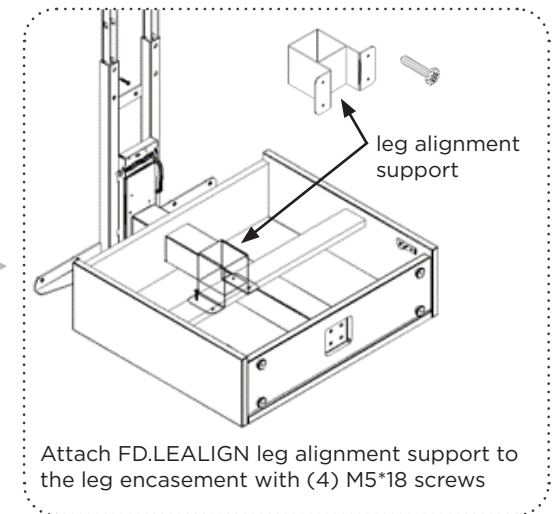
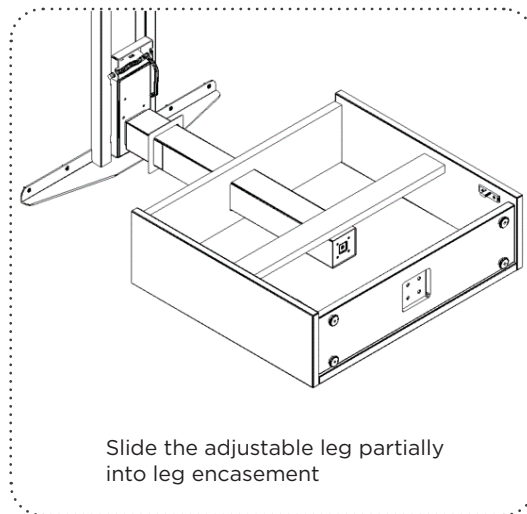
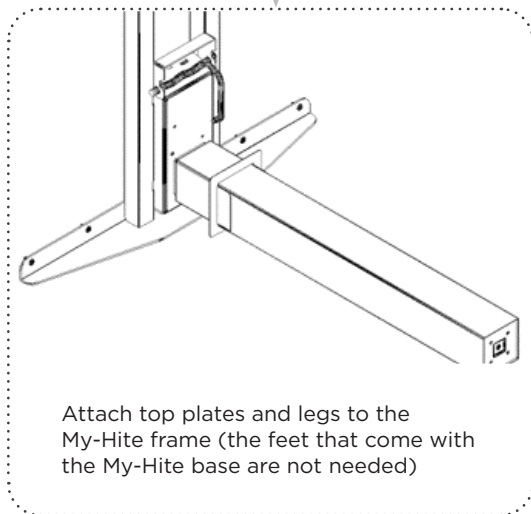
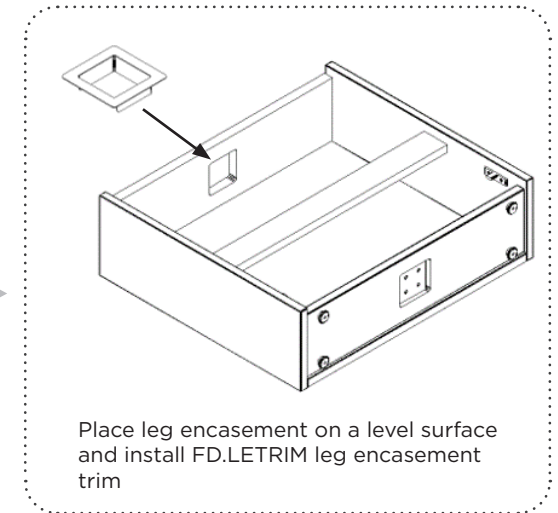
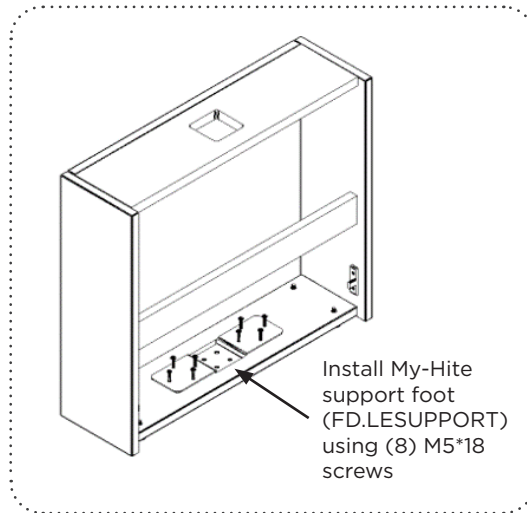
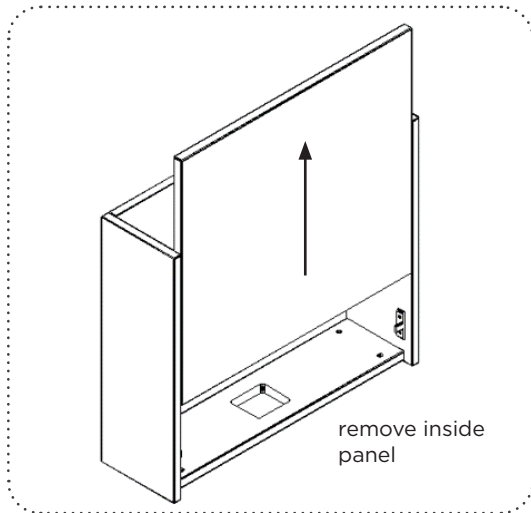
# Conference Tables

## Round and Square Tables with Post Legs



## Dash 2 Stage

### Leg Encasement

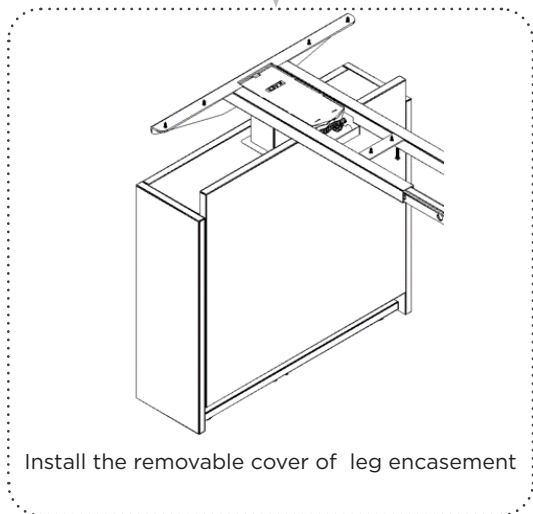
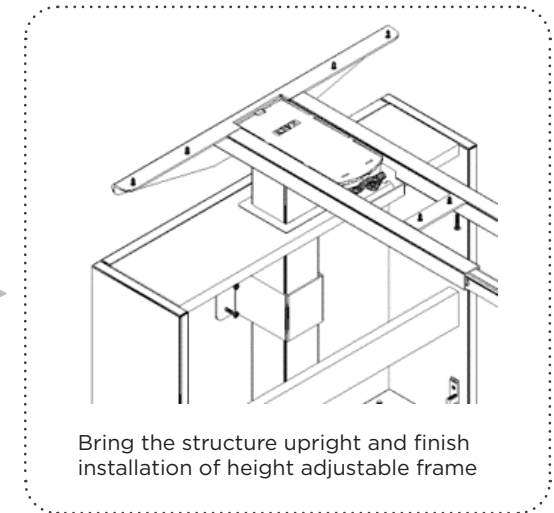
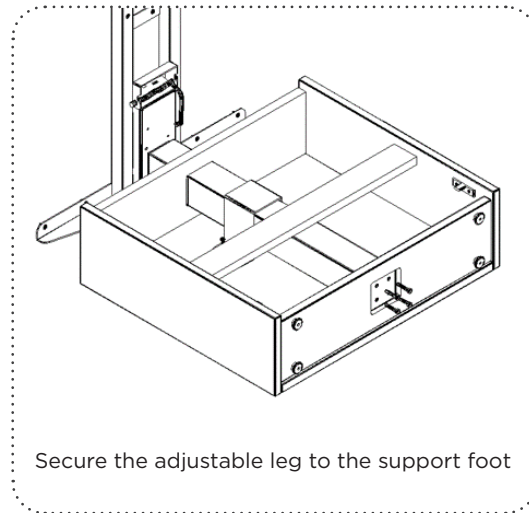
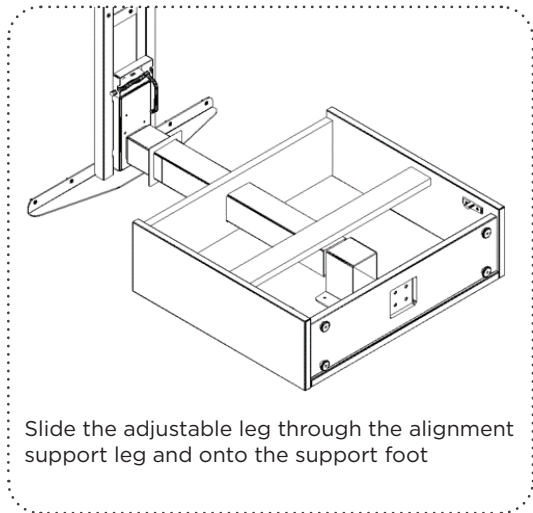


continued...

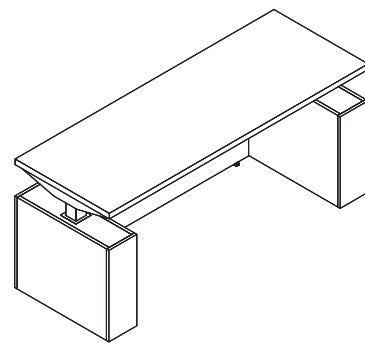


## Dash 2 Stage

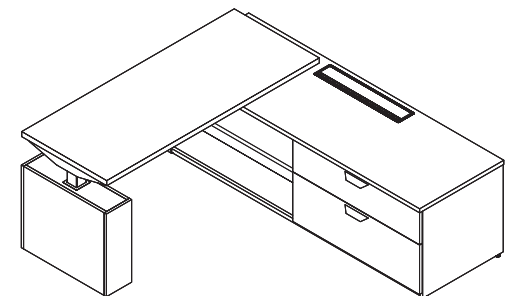
Leg Encasement continued



To complete installation, follow instructions depending on application:



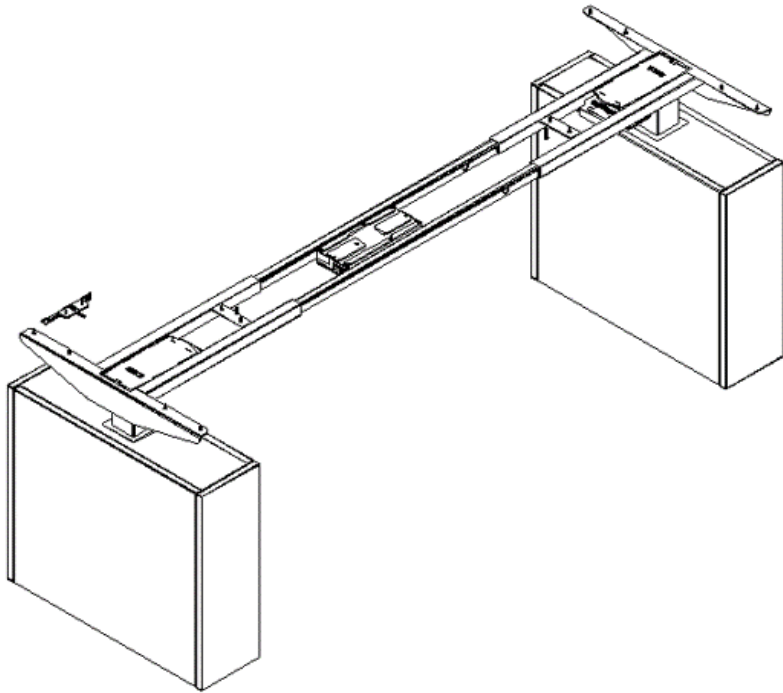
For two leg encasements, continue with fixed modesty installation on page 18



For installation with 23”H credenza continue on page 19

## Dash 2 Stage

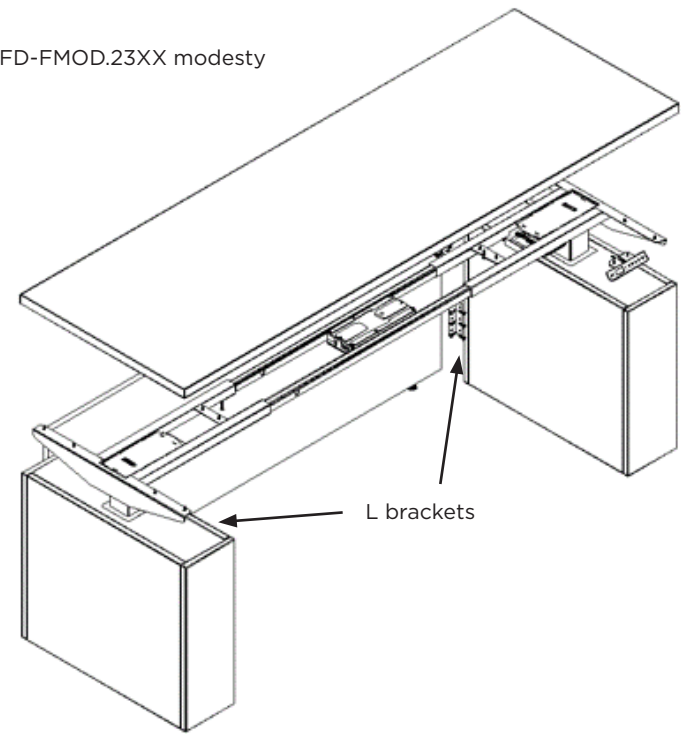
### Fixed Modesty - Double Leg Encasement



After completing installation of both leg encasements, connect all wires and secure computer to frame.



FD-FMOD.23XX modesty

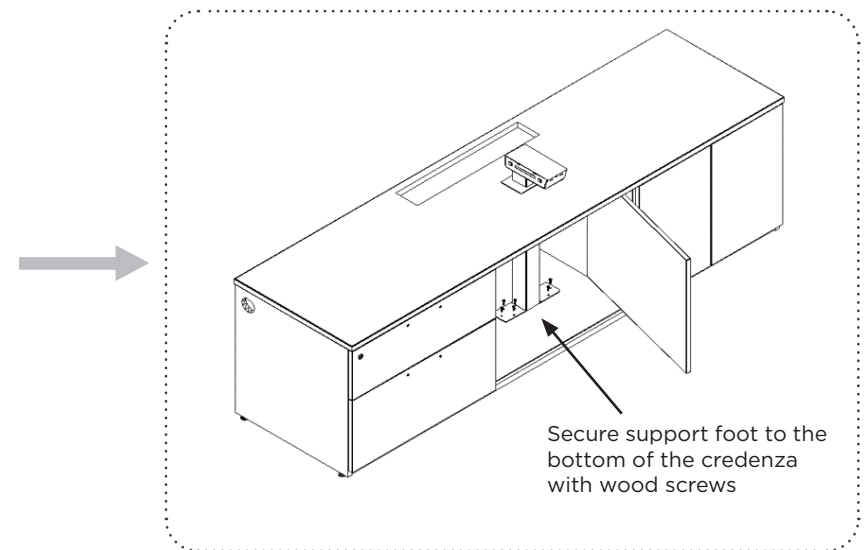
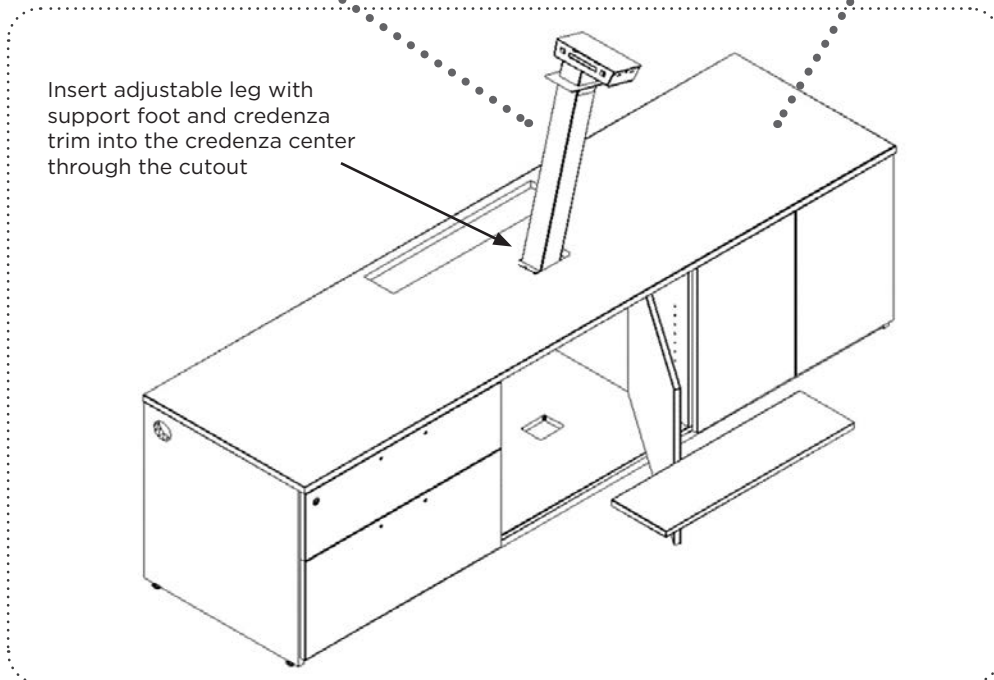
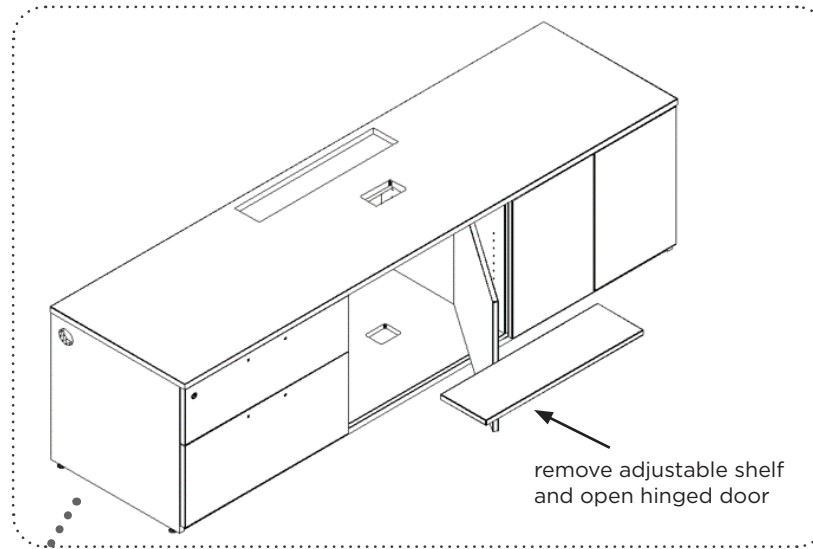
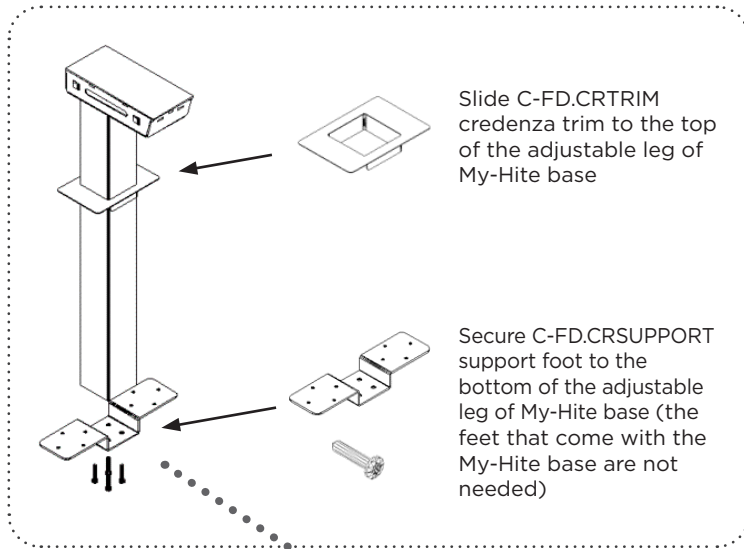


Secure modesty panel between leg encasements using L brackets

Modesty panel can be positioned flush with the leg encasements or inset

# Dash 2 Stage

## 23"H Credenza

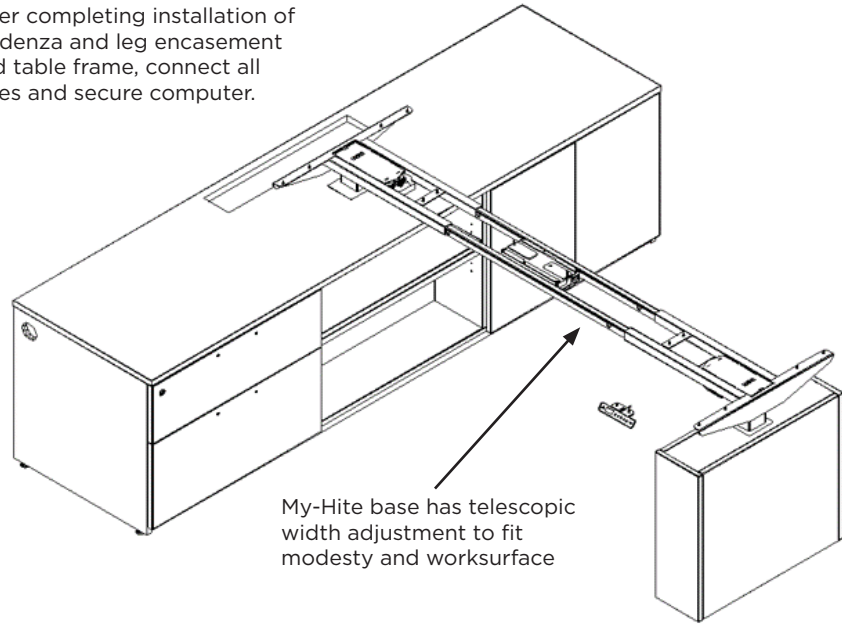


continued...

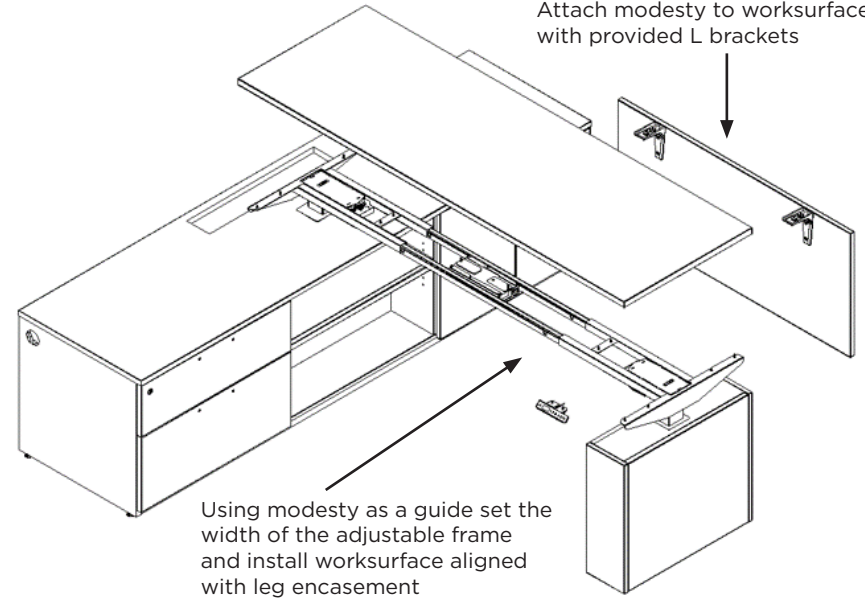
## Dash 2 Stage

### 23"H Credenza continued

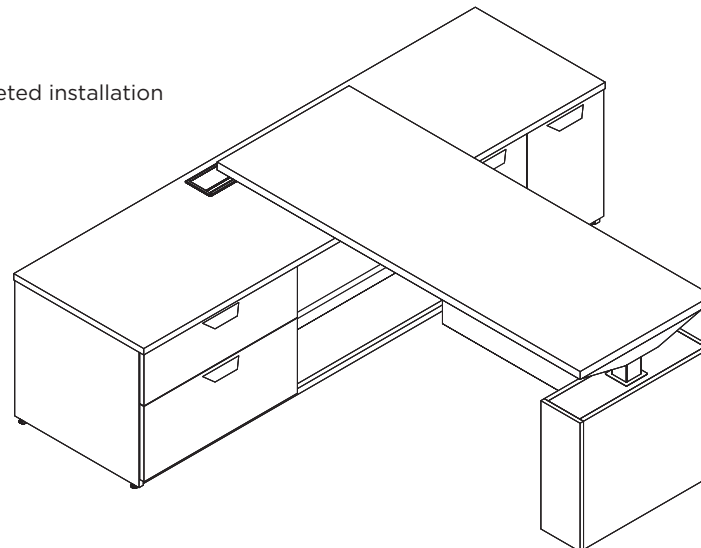
After completing installation of credenza and leg encasement add table frame, connect all wires and secure computer.



Attach modesty to worksurface with provided L brackets

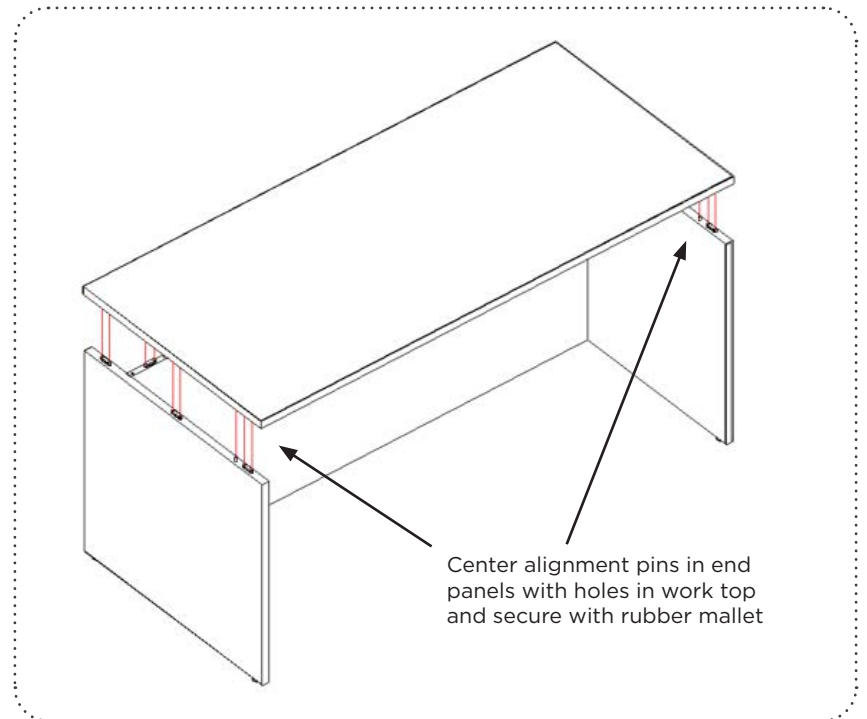
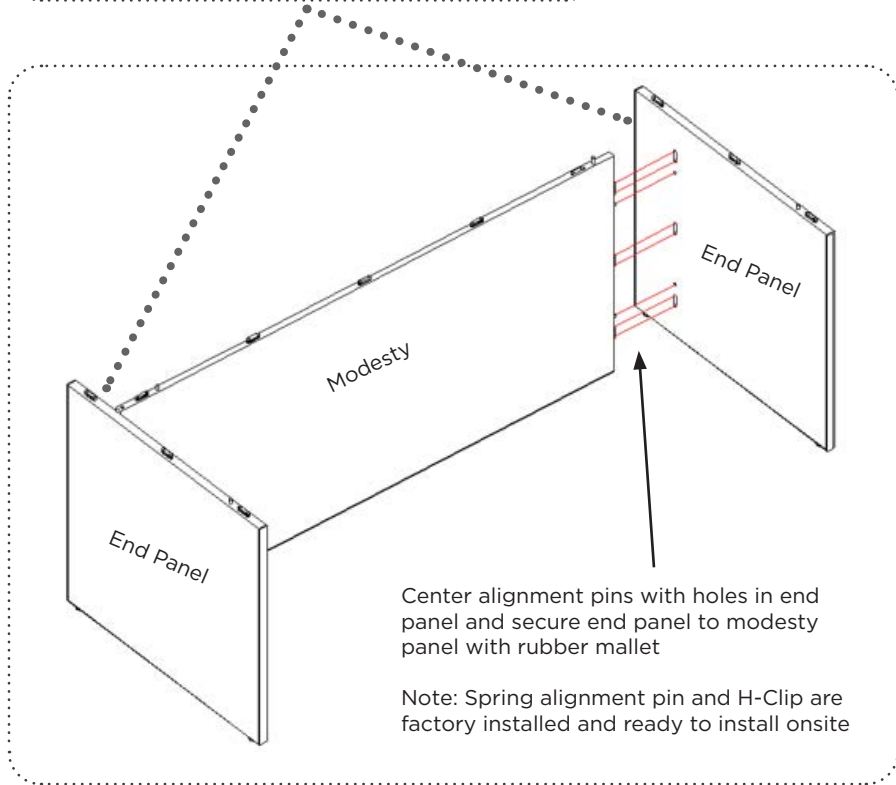
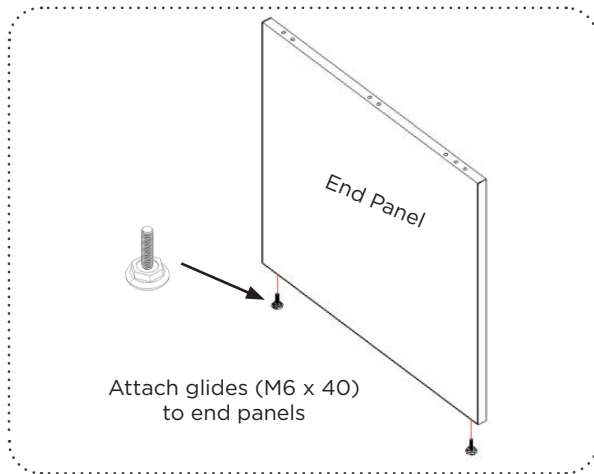


Completed installation

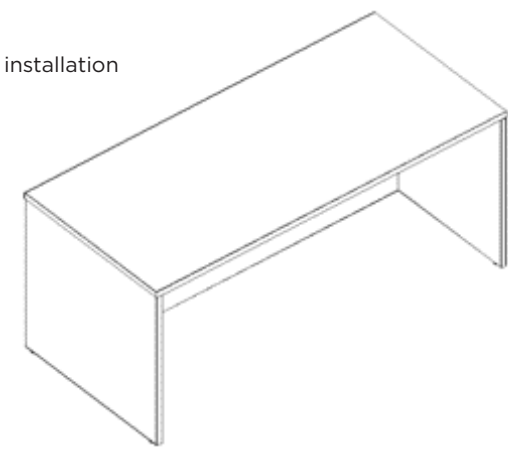


# Dash Casegoods

## Desk Shell

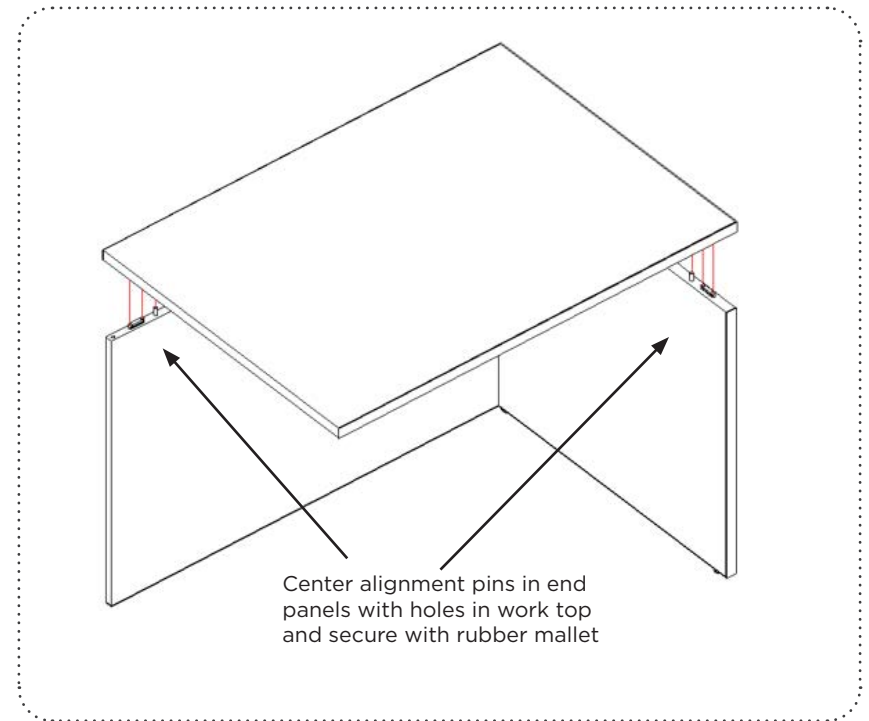
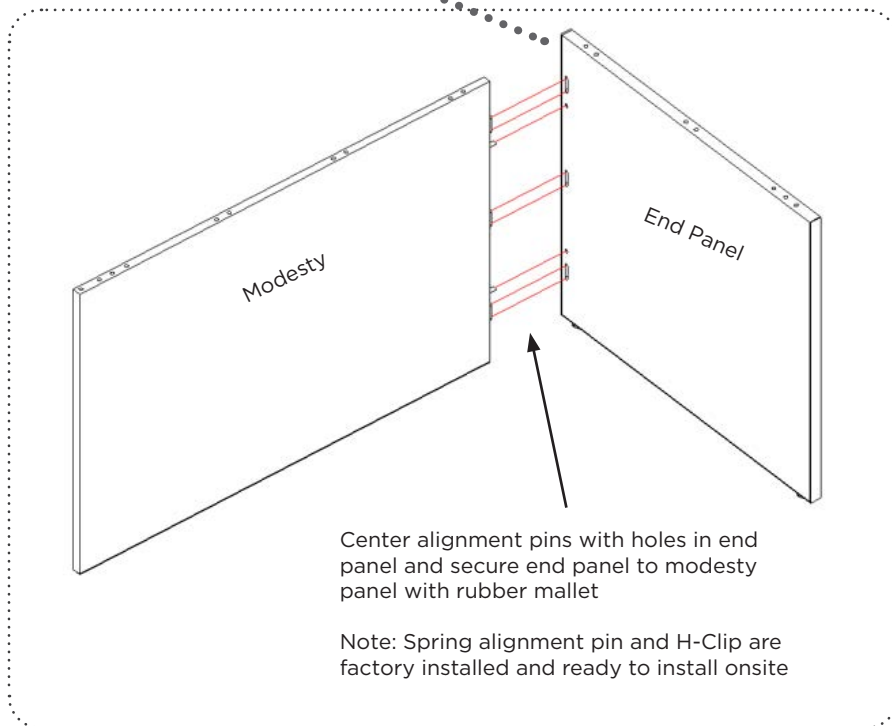
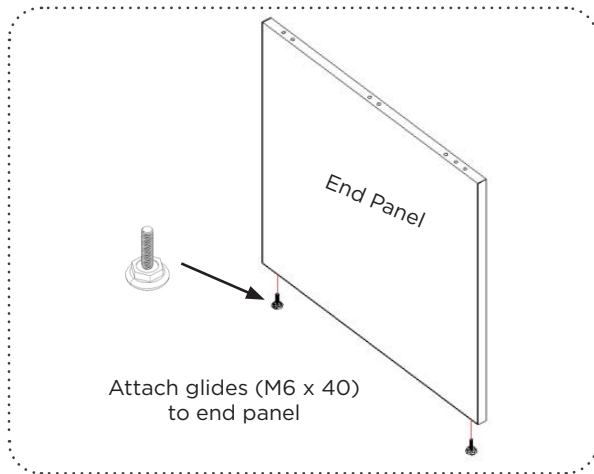


Completed installation

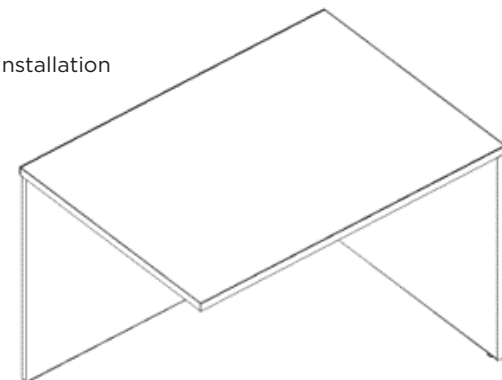


# Dash Casegoods

## Return Shell

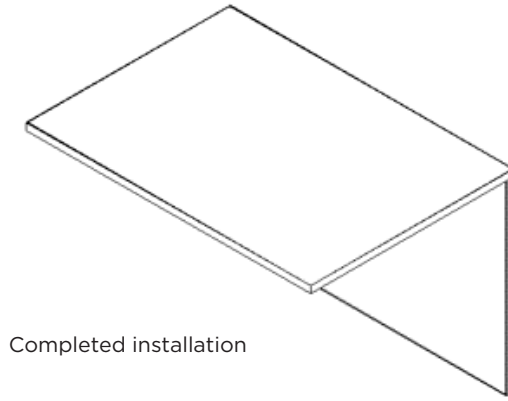
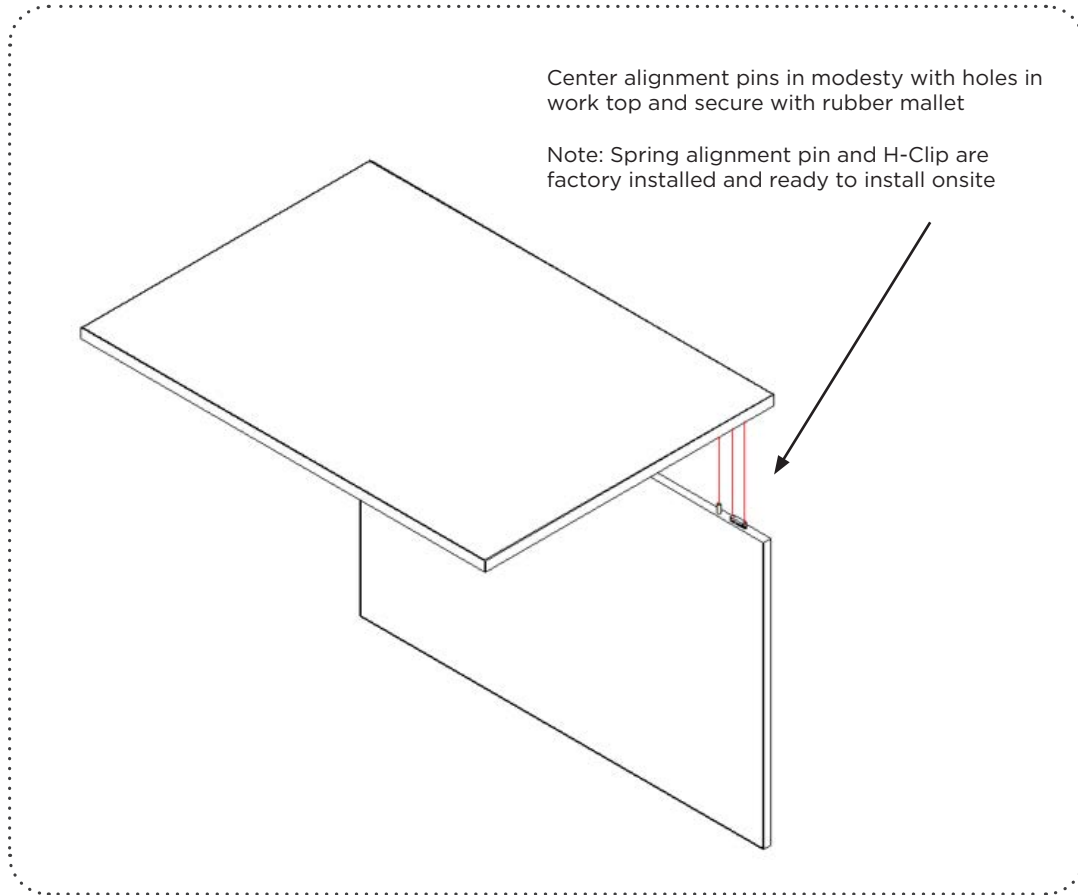


Completed installation



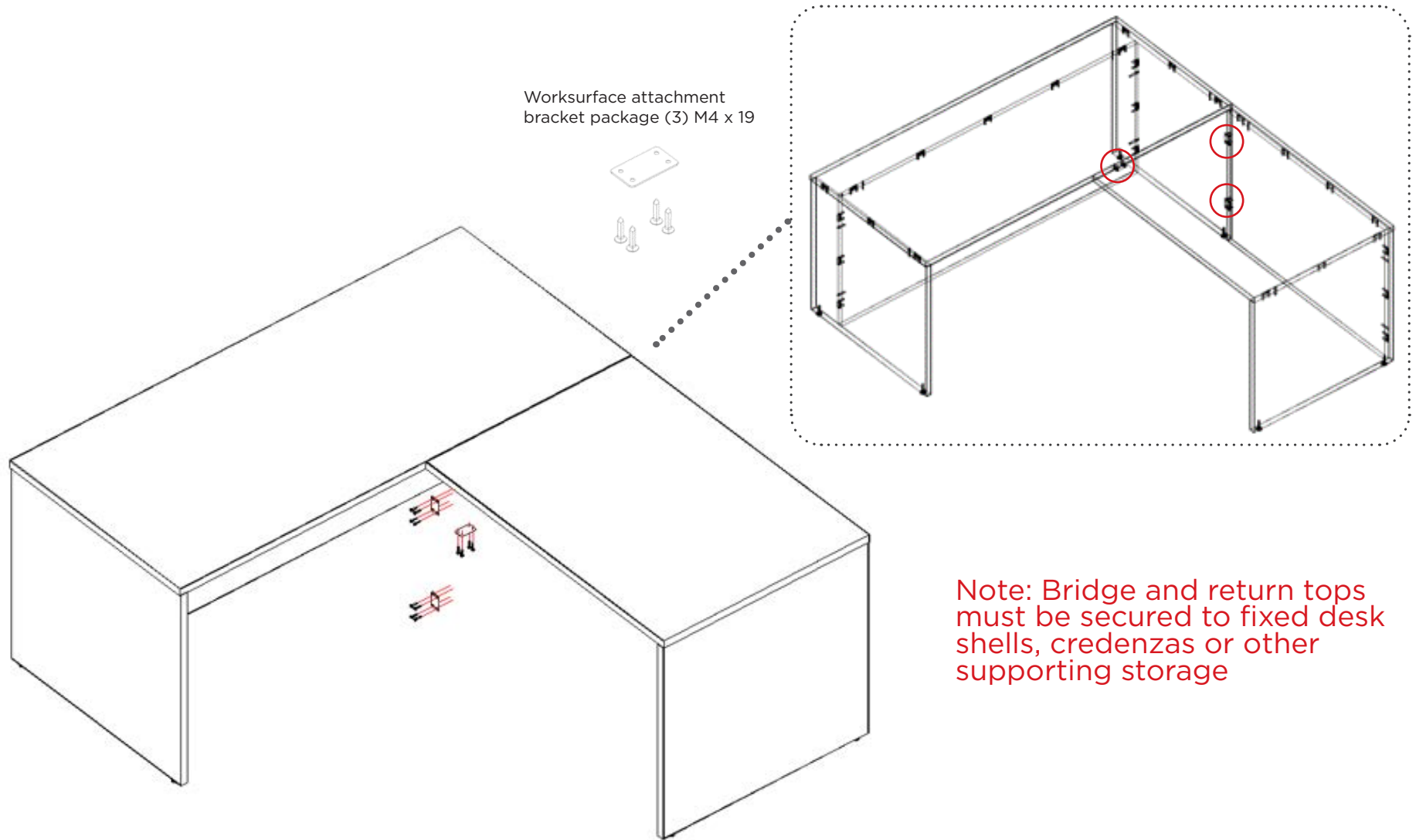
# Dash Casegoods

## Open Bridge



# Dash Casegoods

## Desk Shell and Return

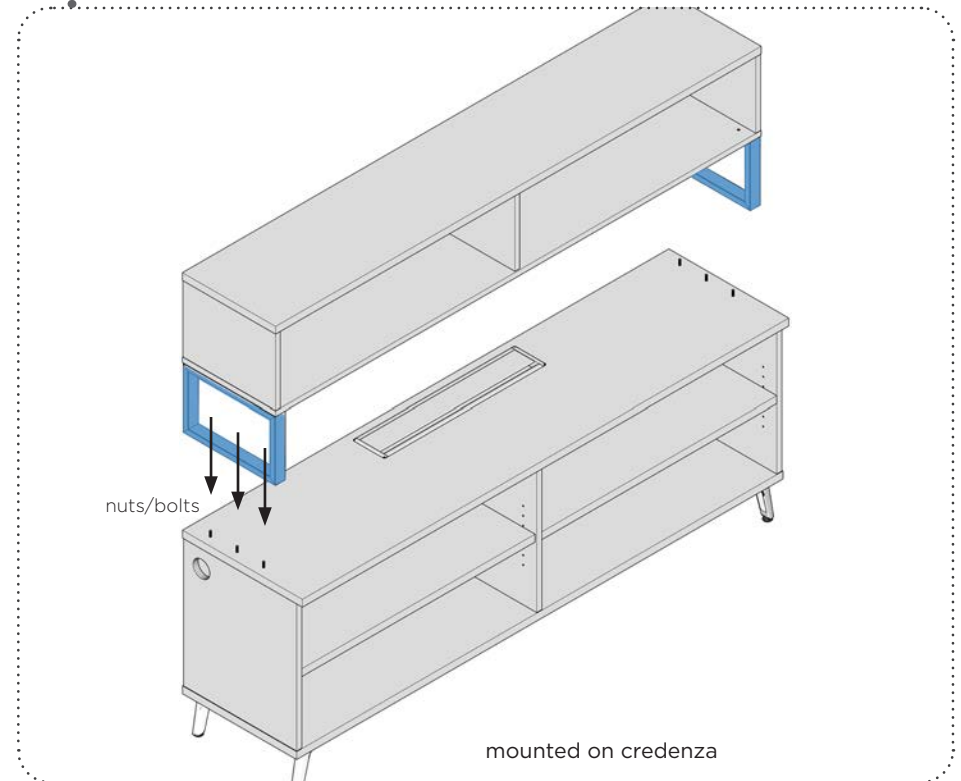
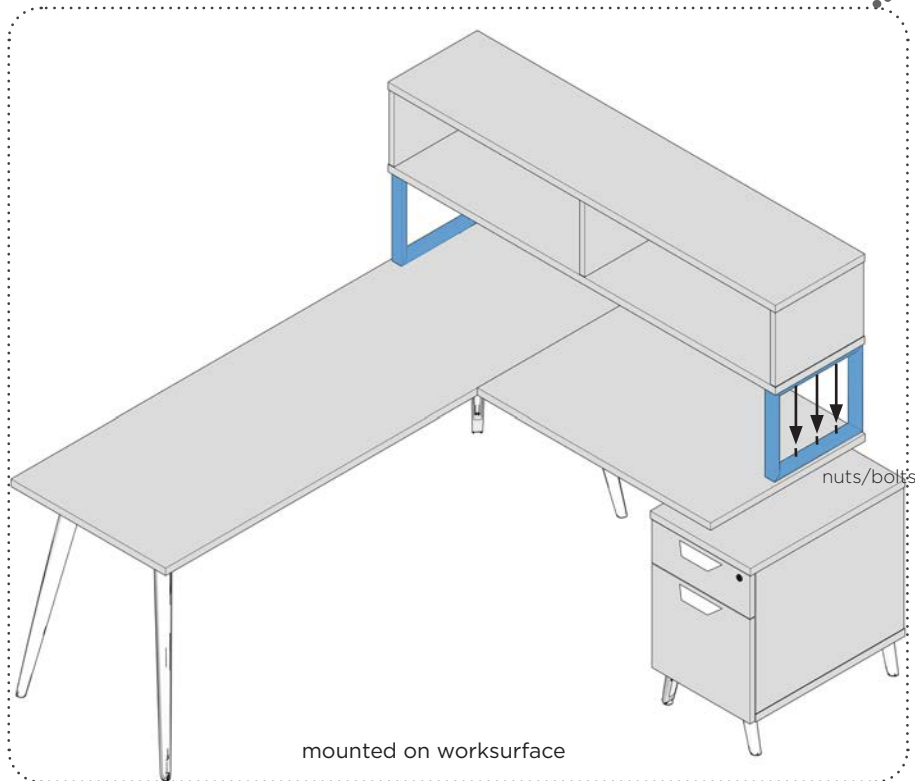
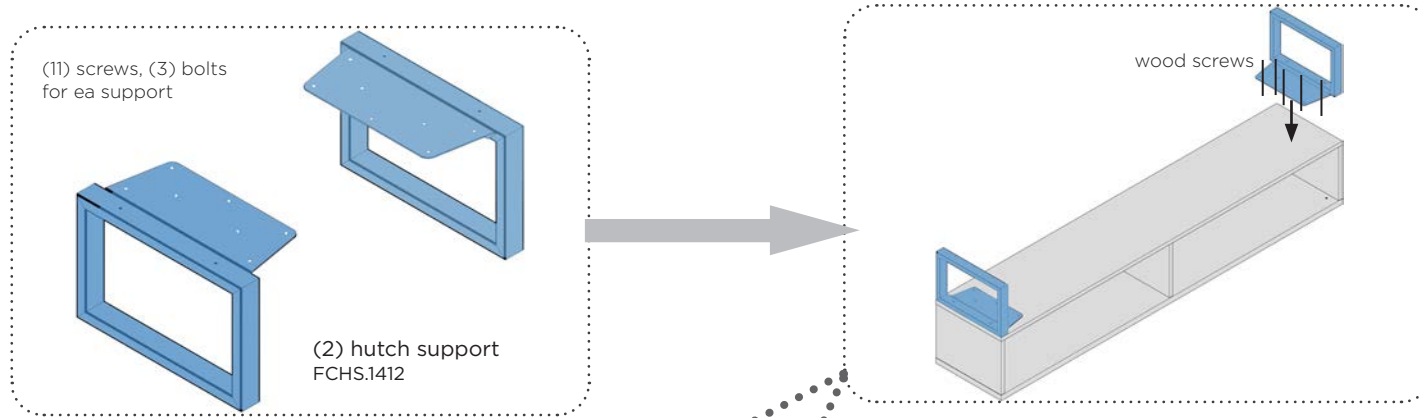




# Storage

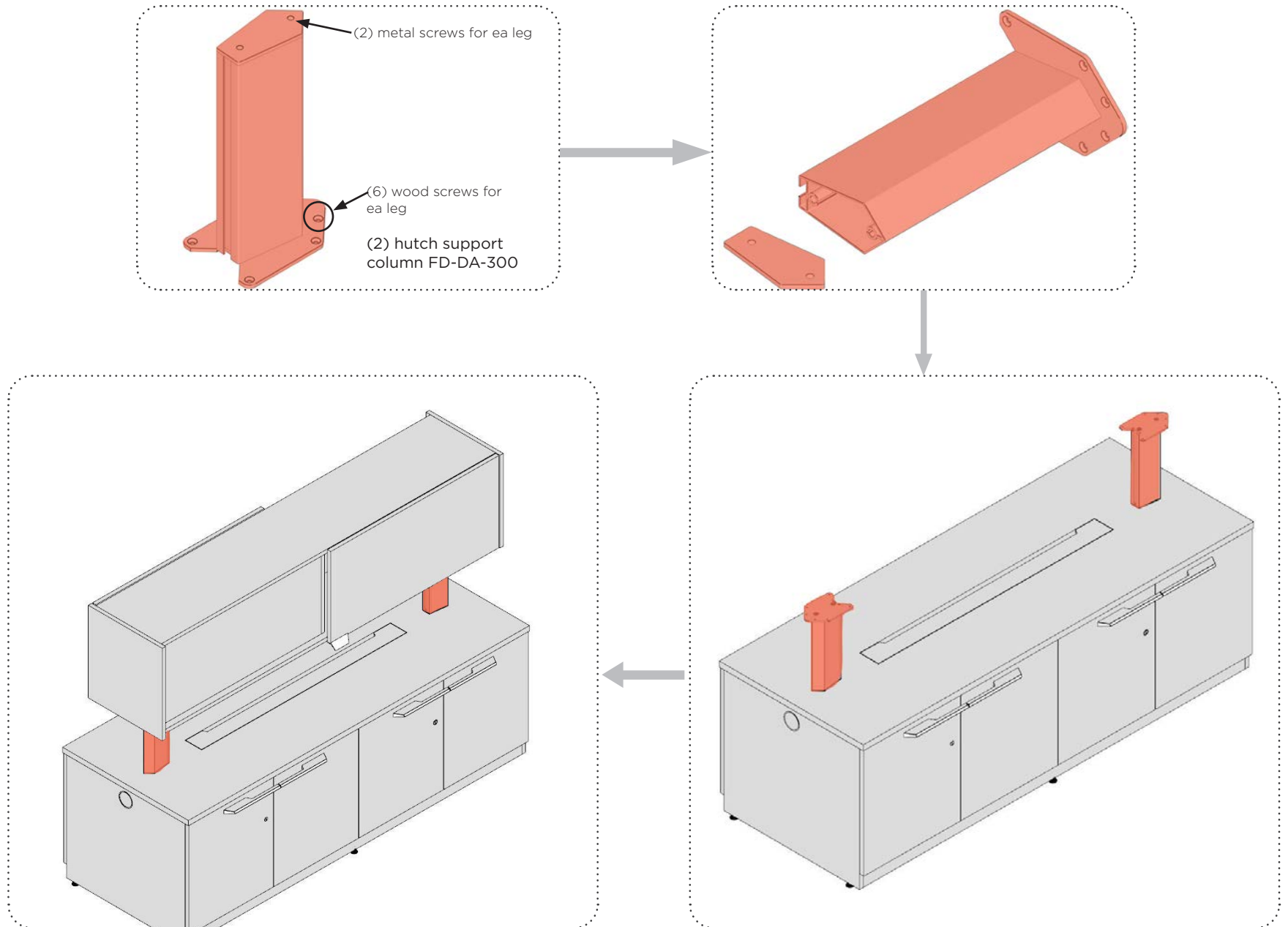
## Shared Hutch Overhead with Hutch Supports

mounted on worksurface or credenza



# Storage

## Shared Hutch Overhead with support column



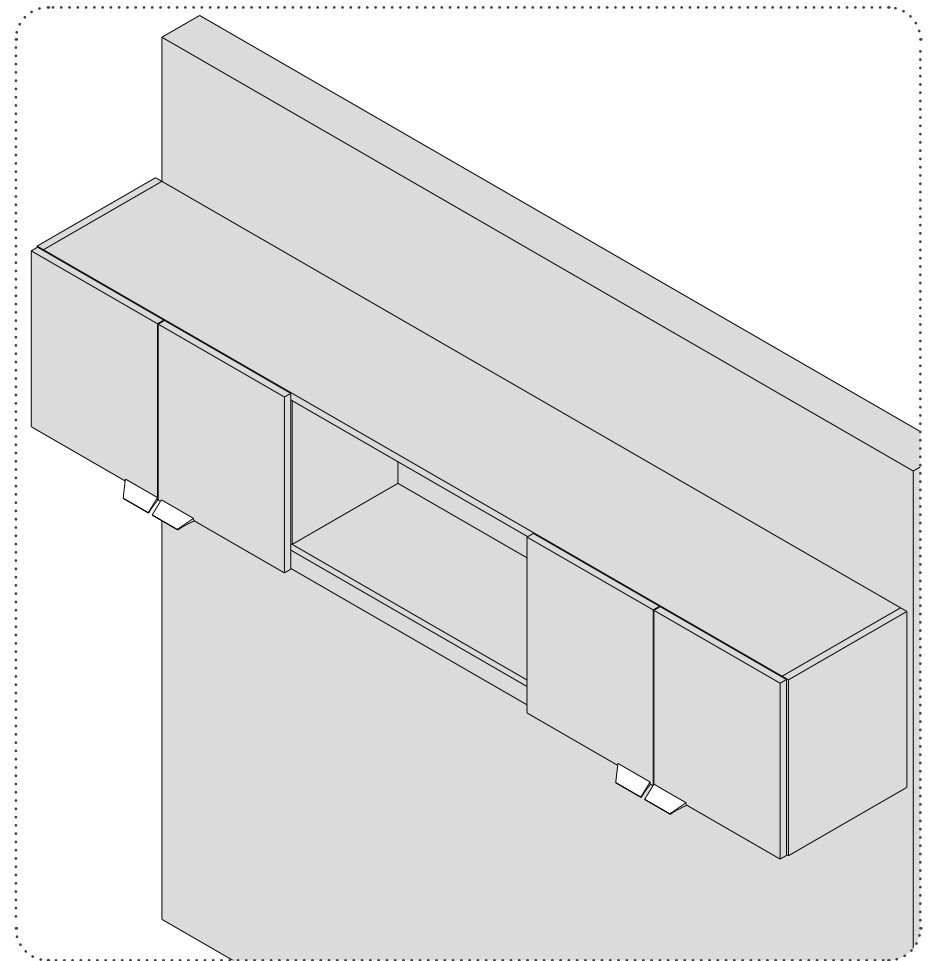
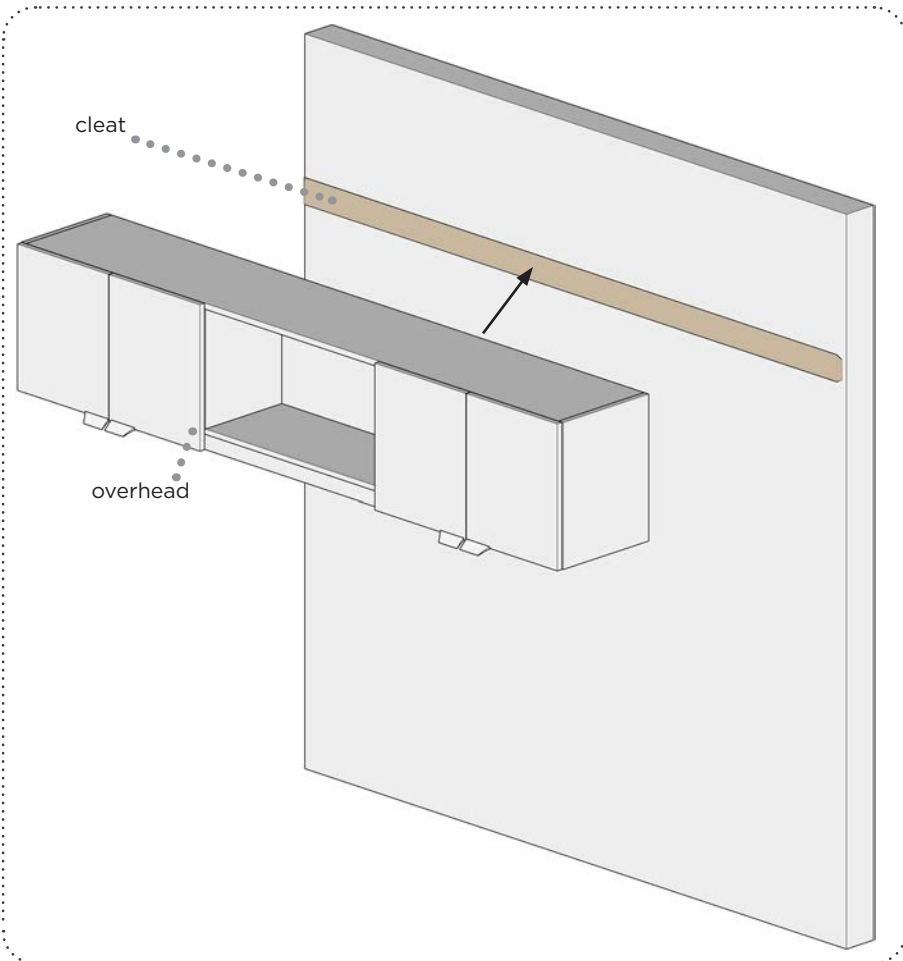
# Storage

## Wall Mounted Overhead

### Warning

- Failure to follow the instructions in this manual can result in product damage, personal injury or both.
- Use two people to safely lift and install.
- Be careful when installing the cleat – you must use appropriate anchors for attaching this product to the wall. These anchors will vary depending on the field conditions. Be careful not to damage corner beads for drywall; it is strongly suggested you space off the edge of a drywall corner 2", to prevent damage.

pg 1 of 2



continued... 27

# Storage

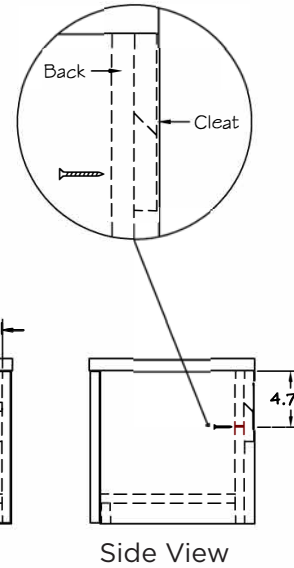
Wall Mounted Overhead continued..

pg 2 of 2

### Attention Installer

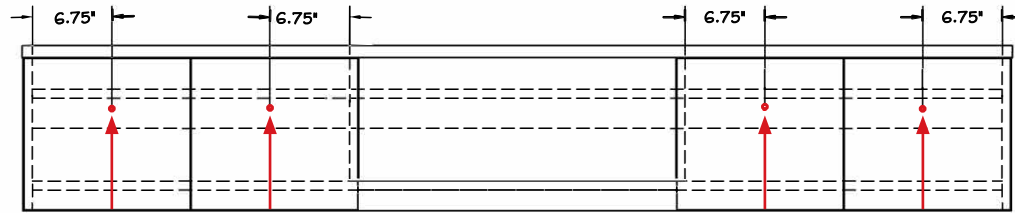
After the cabinet is hung on the wall cleat, use the 1 - 1/2" wood screws (provided) and secure the cabinet through the inside per the drawing. Use provided cover caps to cover screws.

### Enlarged View Showing Application



Quantity of screws required for each width cabinet:

- FD-OS-XX36 = QTY 3
- FD-OS-XX42 = QTY 3
- FD-OS-XX48 = QTY 3
- FD-OS-XX54 = QTY 4
- FD-OS-XX60 = QTY 4
- FD-OS-XX66 = QTY 4
- FD-OS-XX72 = QTY 4
- FD-OS-XX78 = QTY 4
- FD-OS-XX84 = QTY 4



Front View

Side View

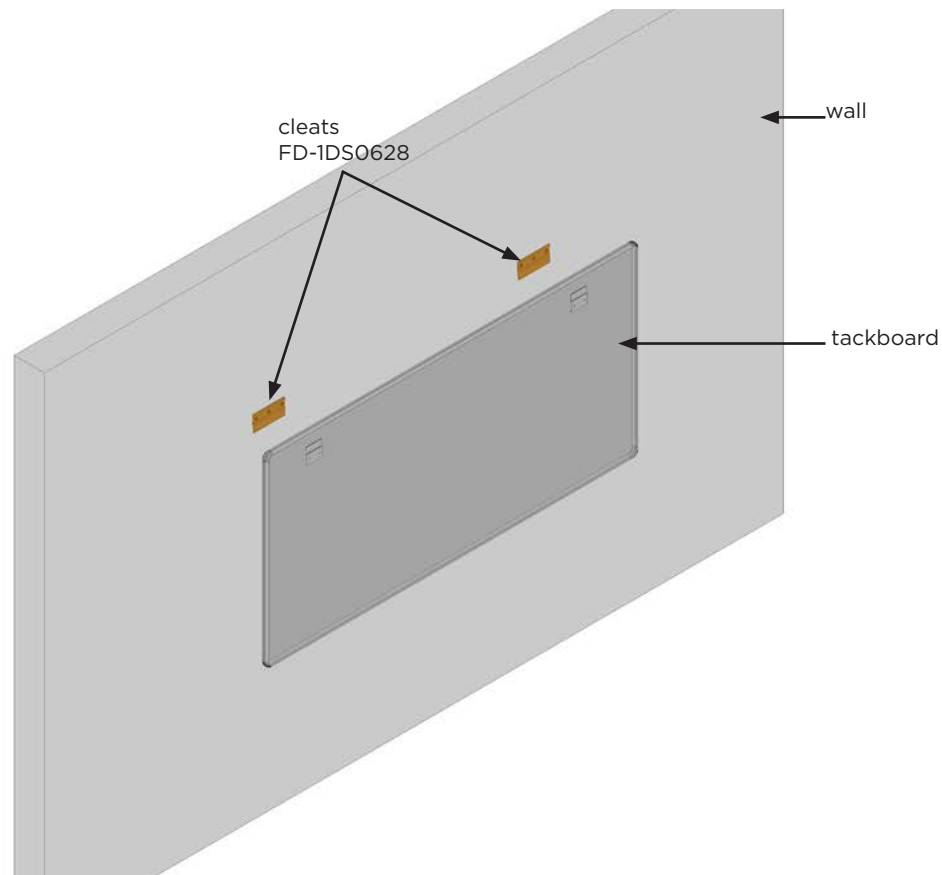
\* Quantity and spacing varies per unit

# Components

## Wall Mounted Tackboard

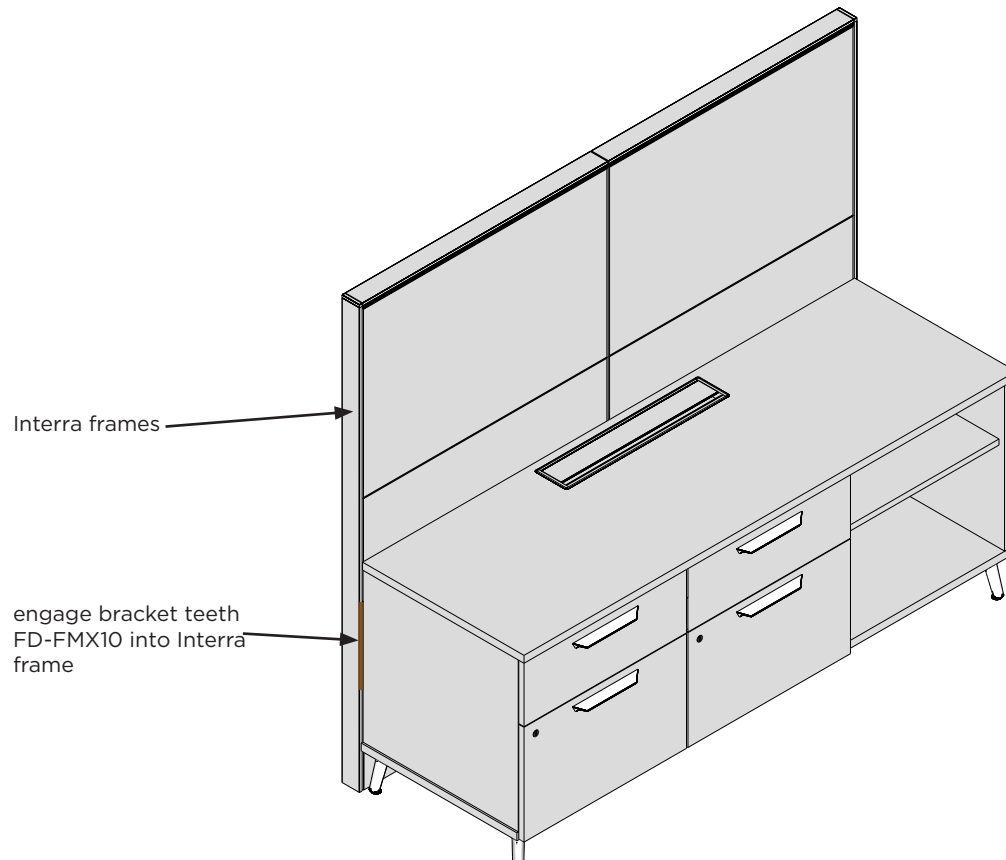
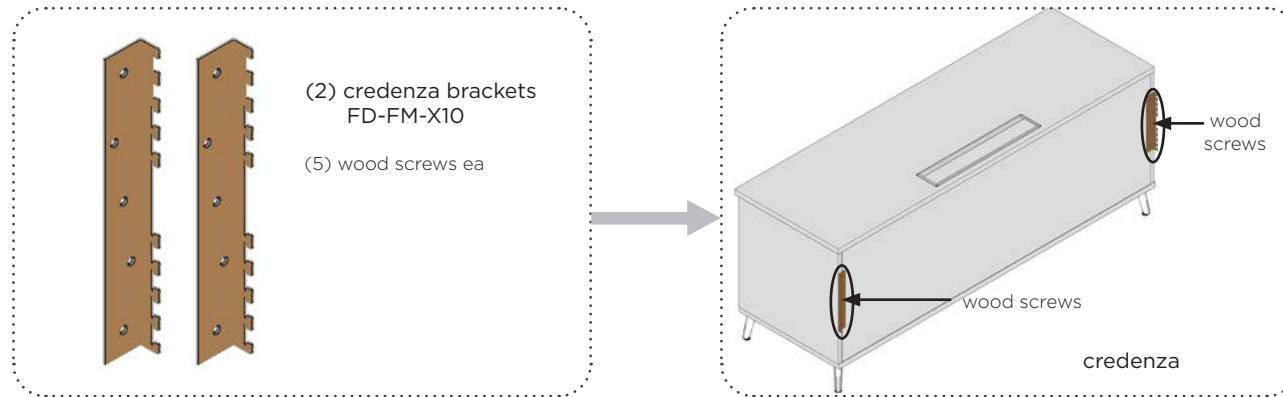
### Warning

- Failure to follow the instructions in this manual can result in product damage, personal injury or both.
- Use two people to safely lift and install.
- Be careful when installing the cleat — you must use appropriate anchors for attaching this product to the wall. These anchors will vary depending on the field conditions. Be careful not to damage corner beads for drywall; it is strongly suggested you space off the edge of a drywall corner 2", to prevent damage.



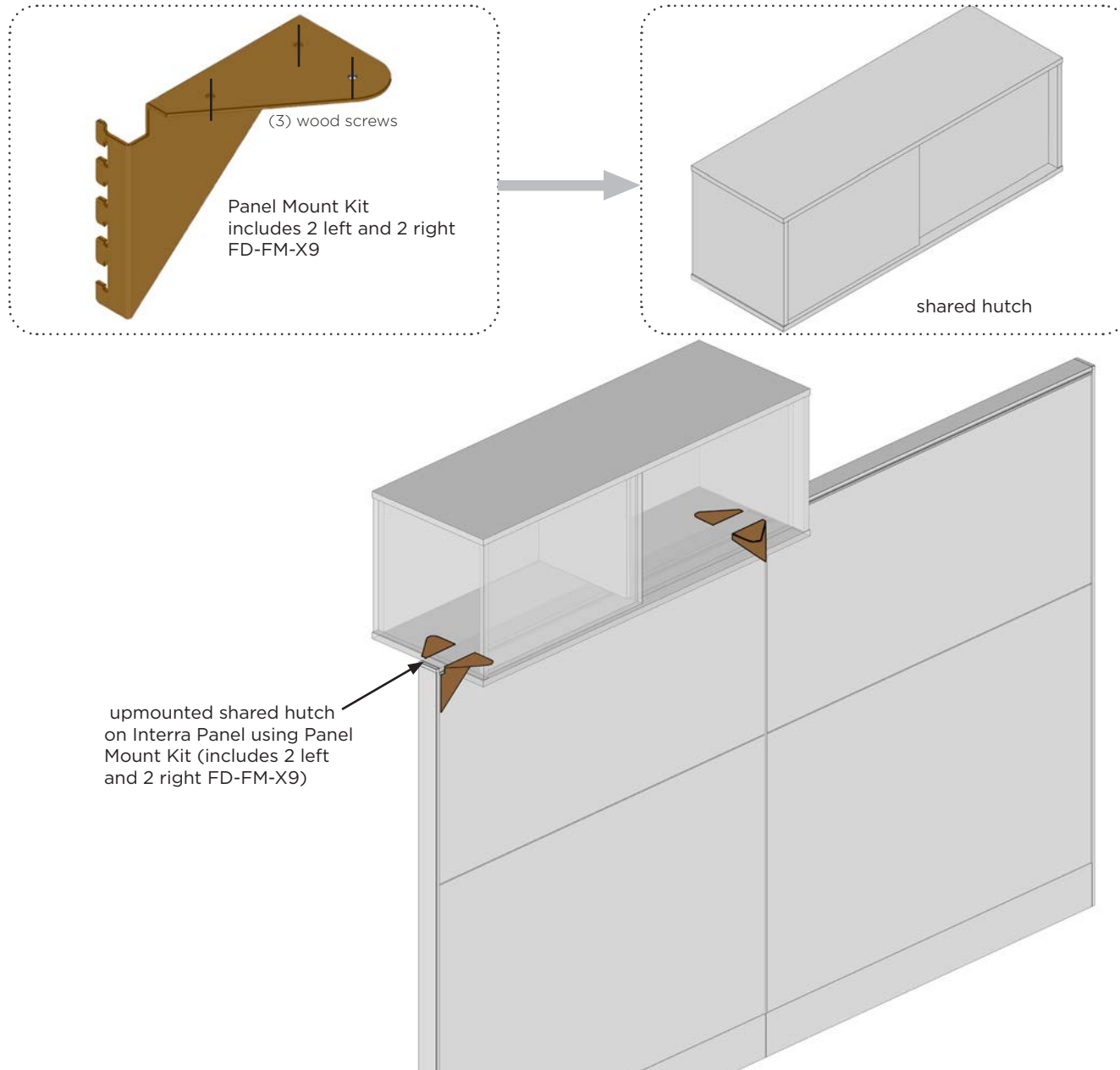
# Interra Connectors

## Credenza Bracket



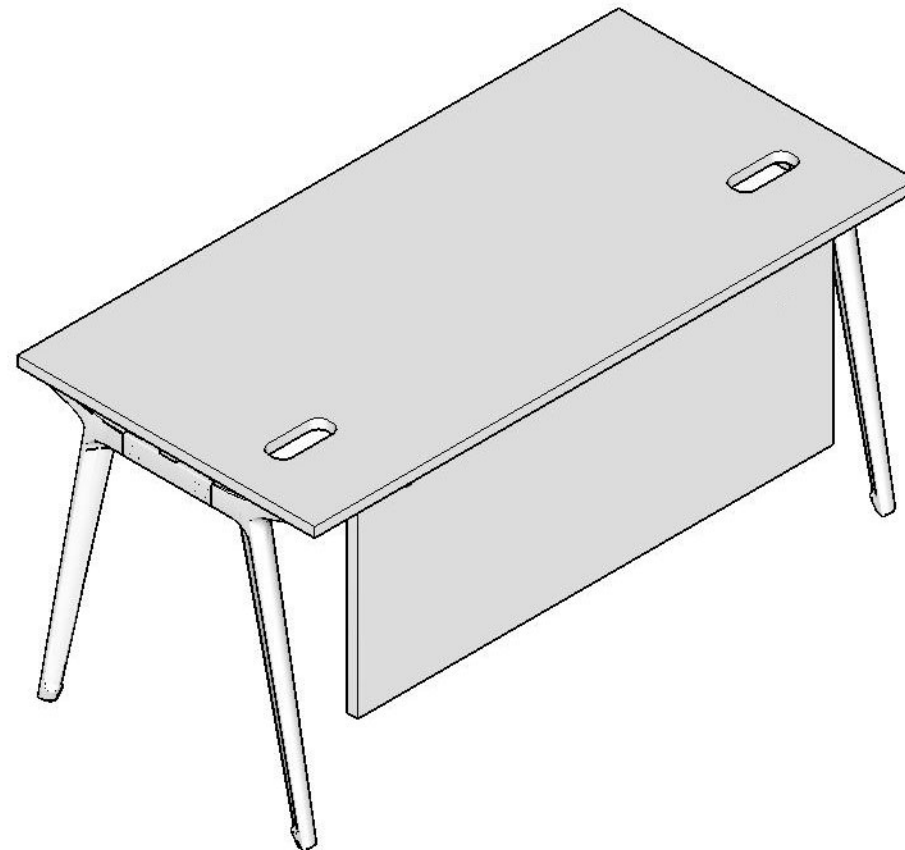
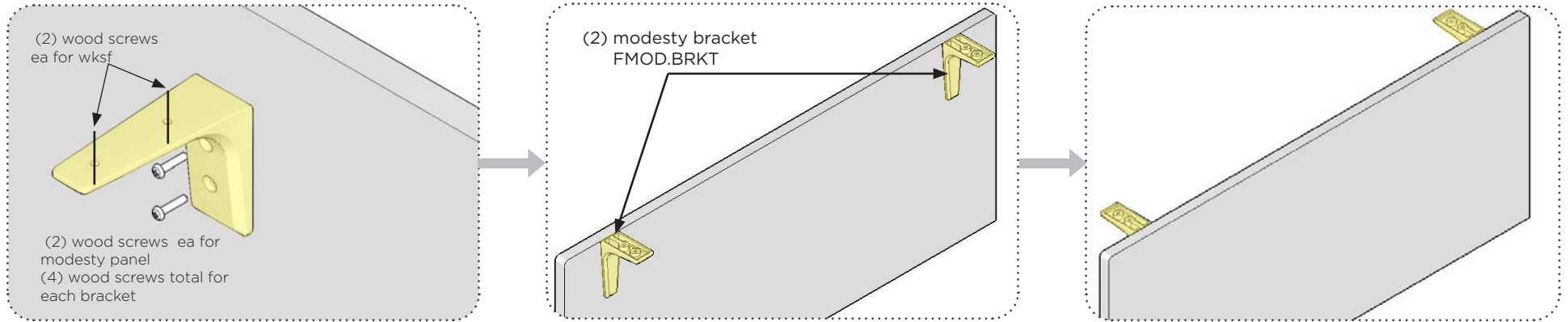
# Interra Connectors

## Panel Mount Kit



# Components

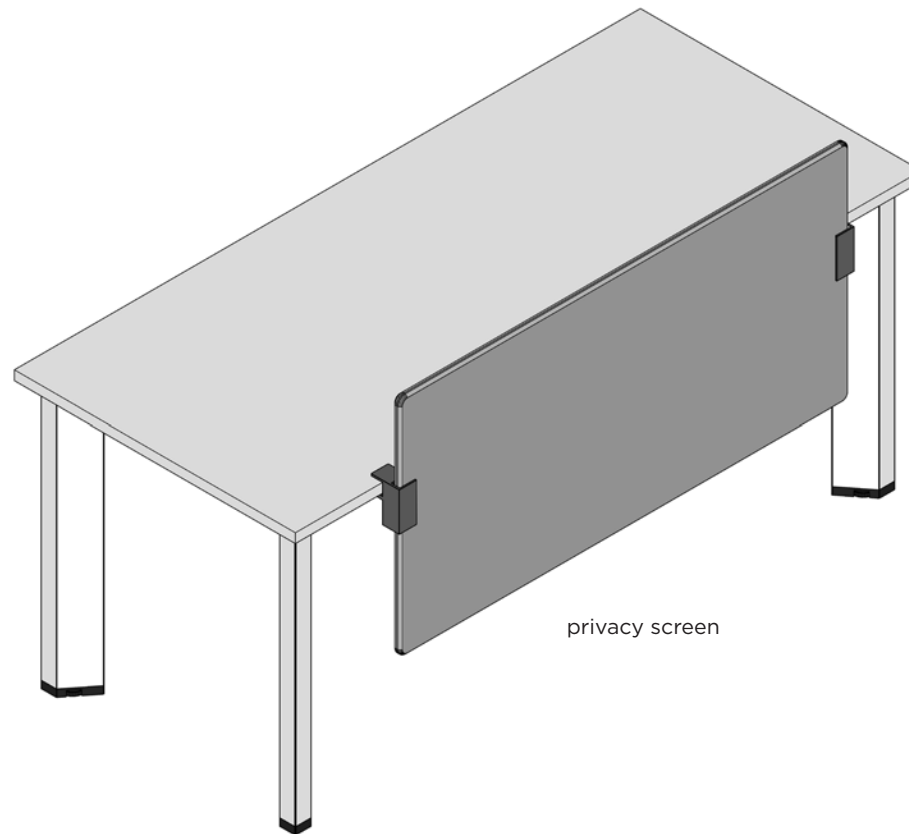
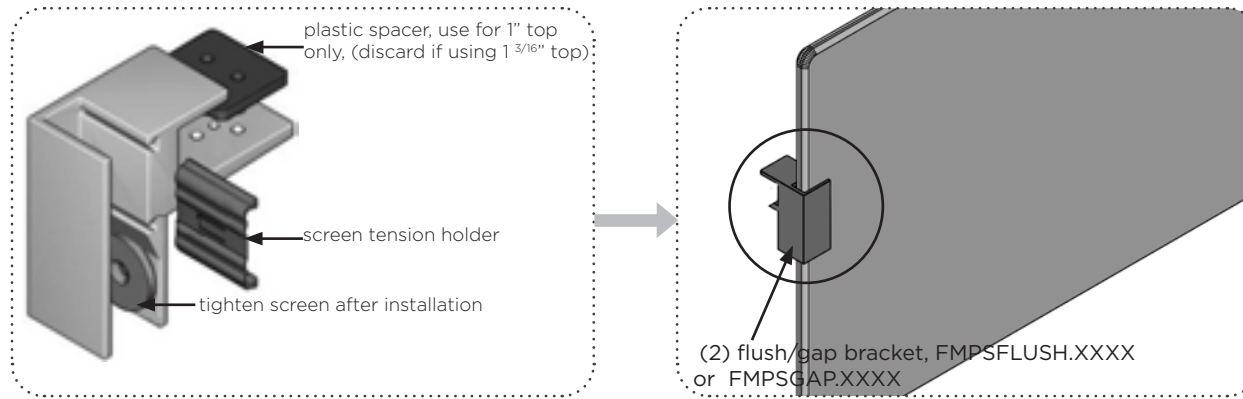
## Modesty Panel





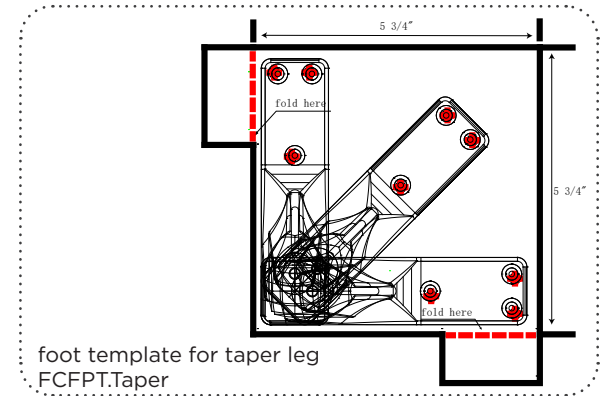
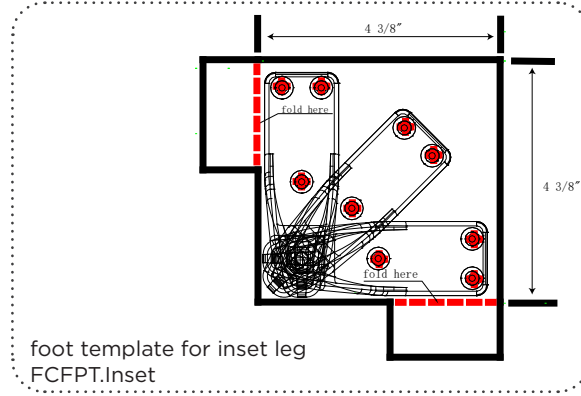
# Components

## Privacy Screen



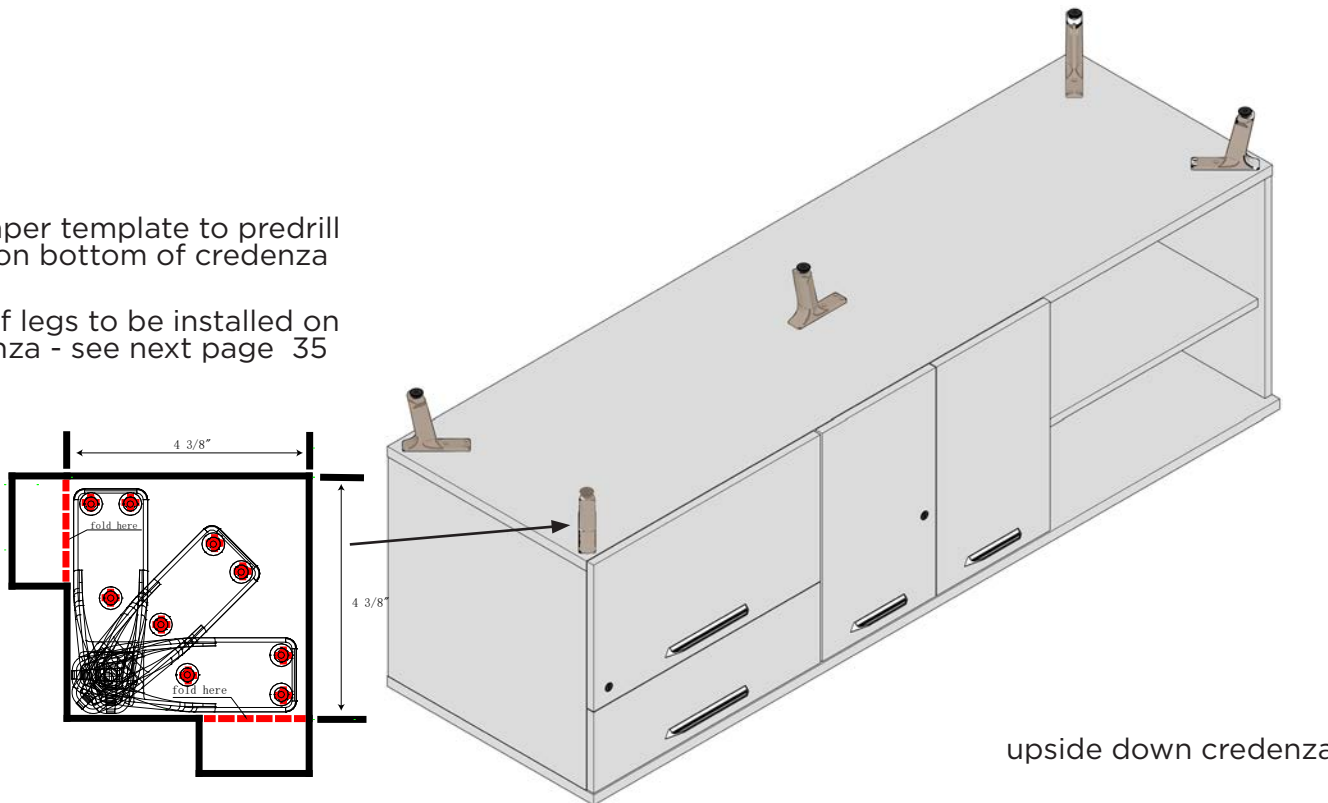
# Storage

## Feet Installation - Inset or Taper



use paper template to predrill holes on bottom of credenza

\* no. of legs to be installed on credenza - see next page 35



## Storage

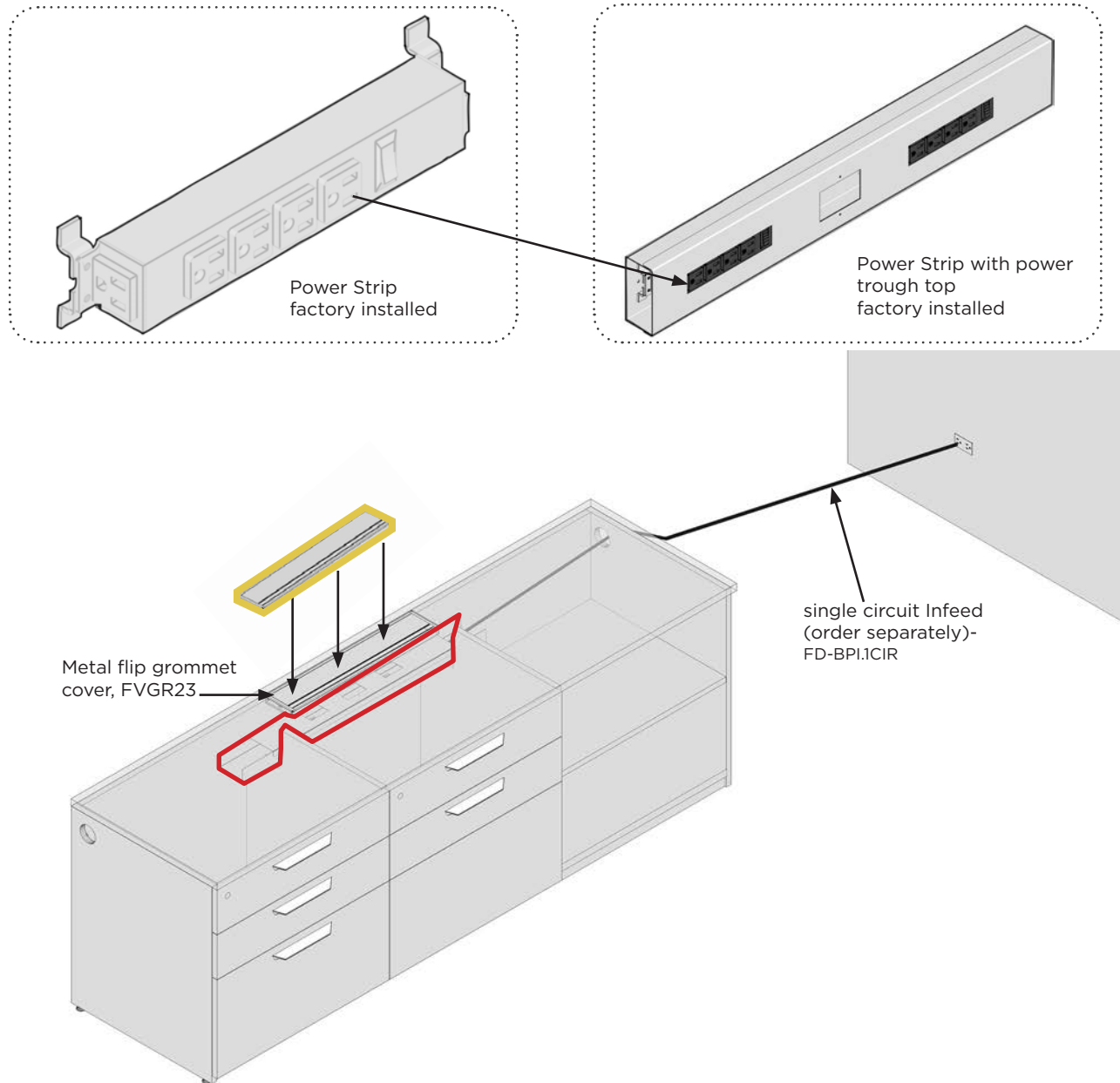
Feet Matrix for all DASH Storage

No. of legs to be installed on credenza depends on size of credenza.

	HEIGHT	WIDTH	FEET
CREDENZA	26" or 29"	36 - 42"	4
	26" or 29"	48 - 60"	5
	26" or 29"	66 - 84"	6
PEDESTAL/ LATERAL FILES	26" or 29"	All	4
TOWERS	45"	18"	4
	53"	18"	4
	69"	18"	4
COMBO WARDROBE	All	36-42"	5
	All	48"	6
COMBO BOOKCASES	45-69"	48 - 60"	6
BOOKCASE / STORAGE	29-45"	30-36"	4
	53-69"	30-36"	5
	53-69"	42-48"	6

# Electrical

## Credenza Power: Single Circuit

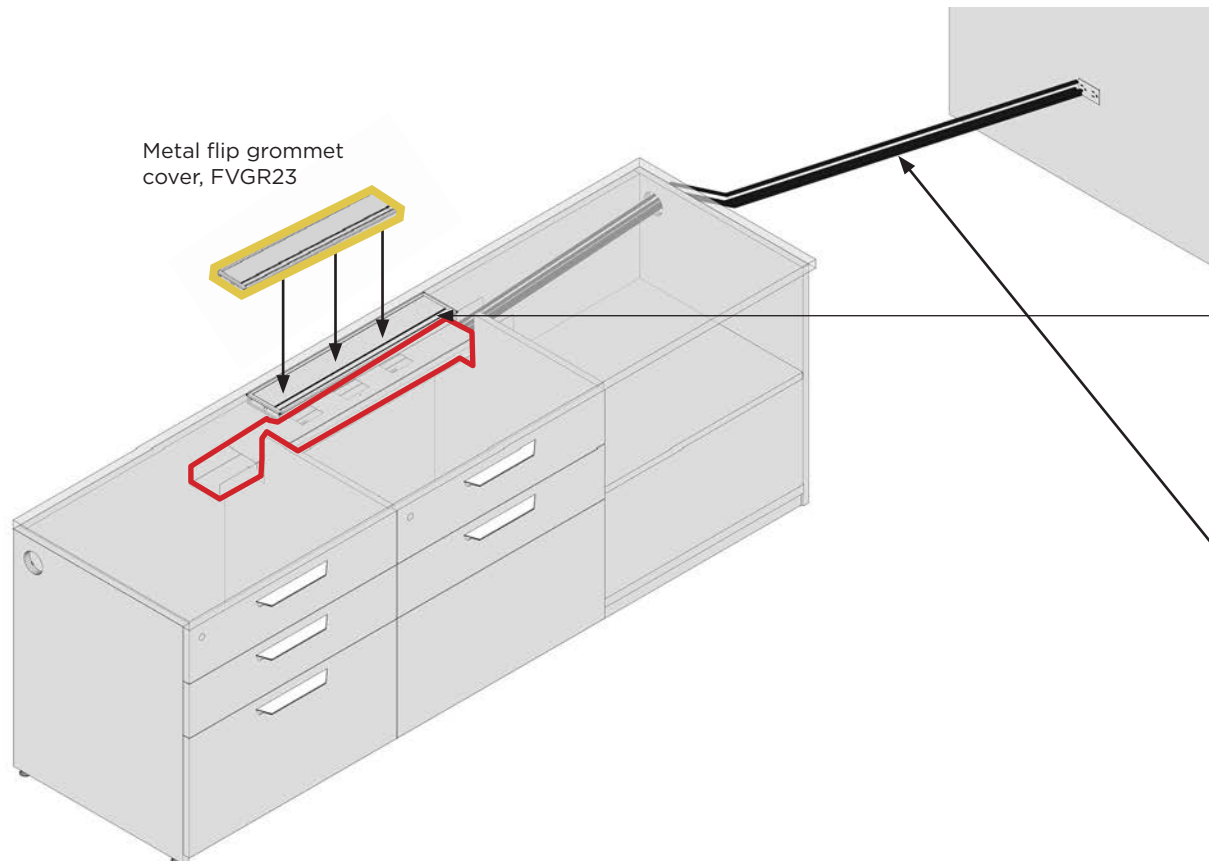
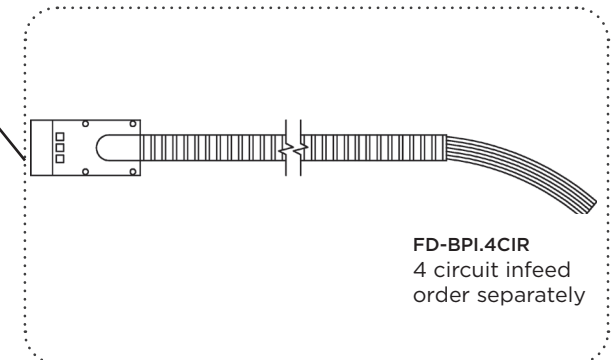
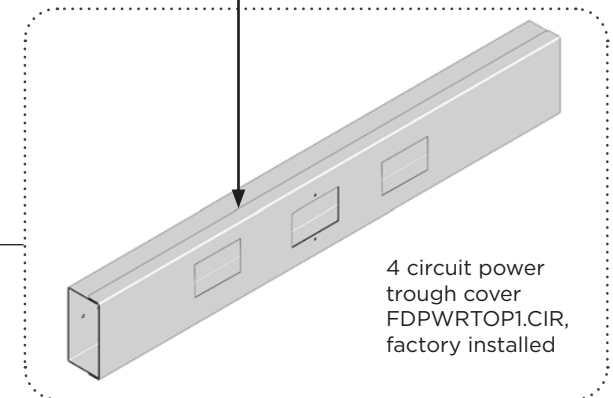
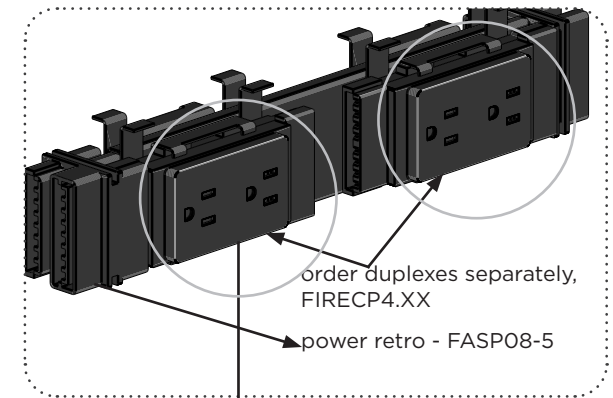


# Electrical

## Credenza Power: 4 Circuit

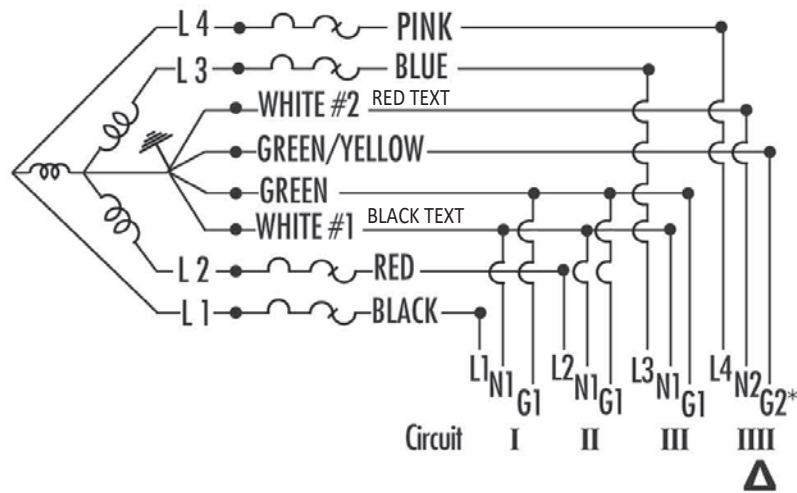
### Warning

- The installation of the power entries, must be made by a qualified electrician. The purpose of this installation instruction is to assist you in working with the electrician to have this product installed. Under no circumstances should this be attempted by a person not recognized by local building authorities as a qualified electrician.
- Power entries should not be installed by any person(s) other than a qualified electrician. Attempting to do so can result in electric shock, personal injury, product damage, property damage or death.
- Failure to follow these instructions for connecting the festoon can cause a short circuit and may result in product damage, electrical shock, property damage or personal injury.



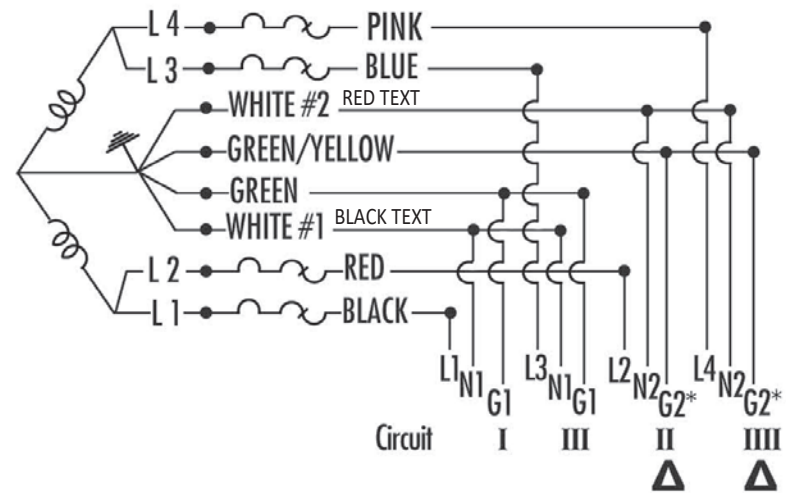
## 4 Circuit Wire Diagram

System is rated for connection to a 3 phase system.  
 Rating 120/208V, 3-PH WYE, 60-hz, 20 amp (CSA 15 amp)  
 multi-wire branch circuit



\*Separate isolated ground

System is rated for connection to a ground 120/240V,  
 1-PH 60-hz, 20 amp multi-wire branch circuit



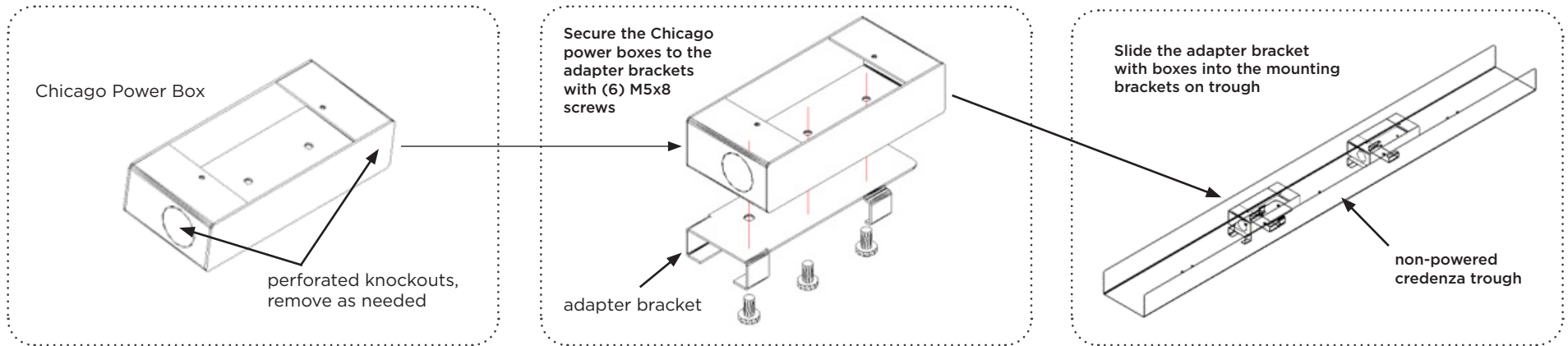
\*Separate isolated ground

### WARNING:

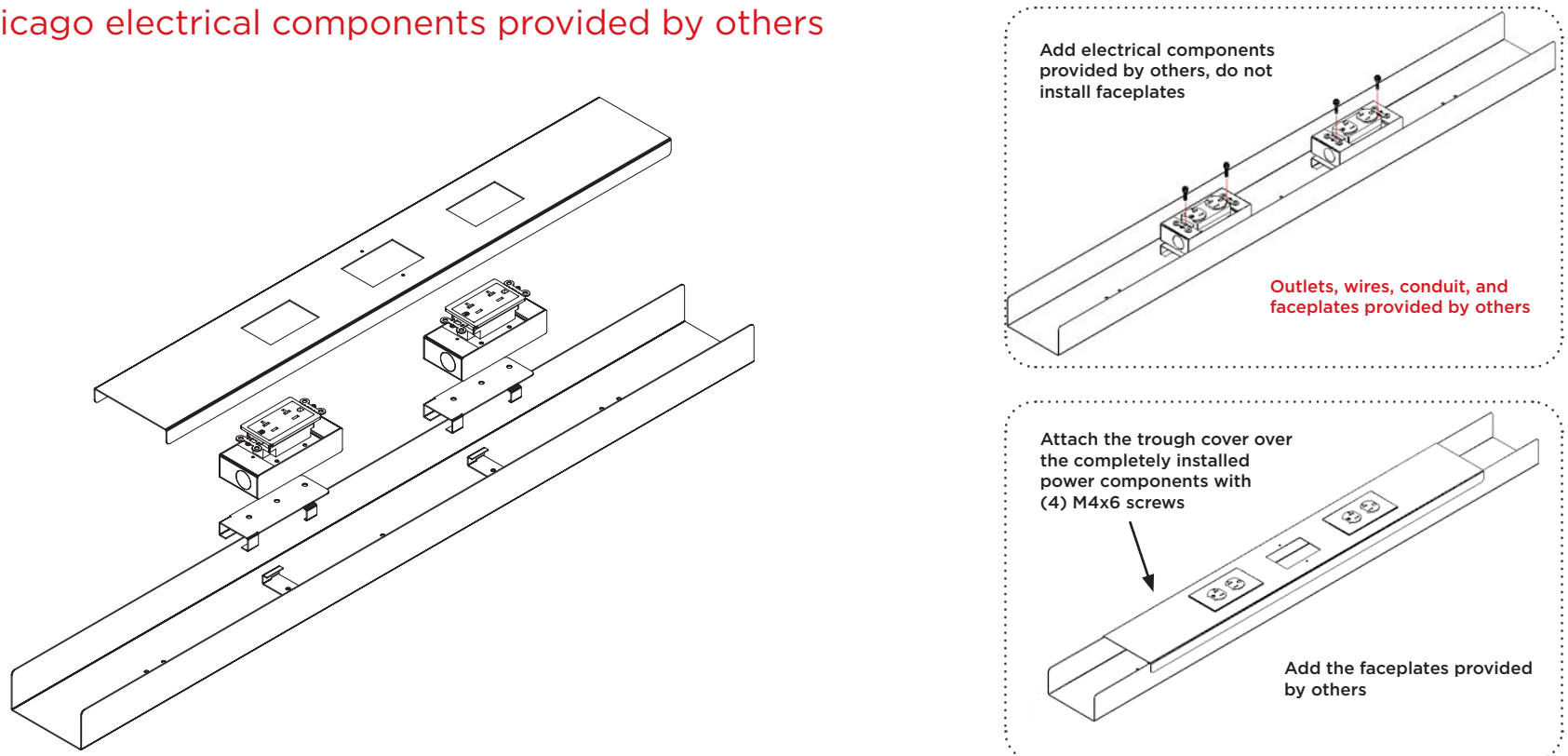
Risk of fire or electric shock. This office furnishings system may be connected to more than one source of supply.  
 All sources must be disconnected prior to any servicing. No single circuit may be powered by more than one source.

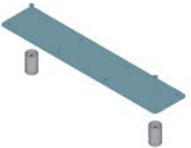




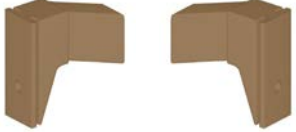
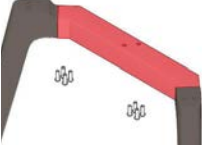

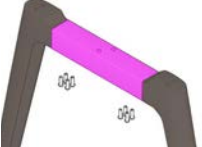


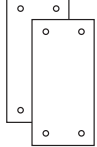




# Electrical

## Chicago Power Box

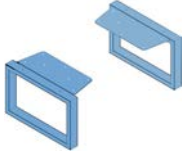
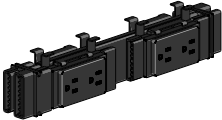

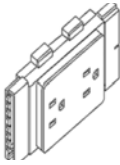




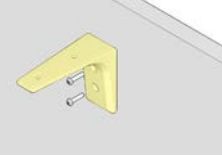
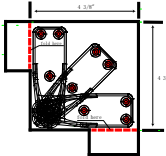

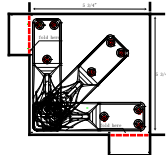
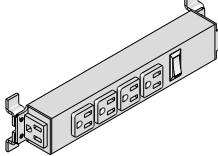

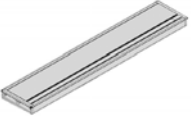



Note: Chicago electrical components provided by others



#	IMAGES	PART #, DESCRIPTION	#	IMAGES	PART #, DESCRIPTION
1		FCWKS.2430, Worskurface Support Stand-Off Support Plate	9		FD-DA-HL-XX - Support Beam FD-DA-BL-XXIN - Support Beam for return/resting bridge FD-DA-BL-14IN - Crossbeam Beam
2		FCWKS.3642, Worskurface Support Stand-Off Support Plate	10		2" FD-DA-DT-52 Freestanding Support Leg
3		FAAL-INSET, Concave Inset Leg	11		FD-DA-HL52-L/R Beam Bracket
4		FDSB-CXX, Concave Connecting Beam	12		FD-DA-HL-L/R Beam Bracket
5		FDSB-SXX, Straight Connecting Beam	13		FDTB-2000(1251-2000) FDTB-1250(800-1250) telescopic beam (2 lengths)
6		FDCJ-4040 Angled Leg Connector	14		FASS22-O-ZN mending plates
7		FDSO.2 2" Stand-Off's	15		FAAL-Taper Concave Taper Leg
8		FD-DA-DT-685 Freestanding Support Leg	16		FALC-5050 Angled Leg Connector-Small Conference Table



#	IMAGES	PART #, DESCRIPTION	#	IMAGES	PART #, DESCRIPTION
17		FCHS.14XX Hutch Overhead Support	25		FASP08-5 Power retro
18		FD-DA-DT300 Shared Hutch Overhead Support Column	26		FIRECP4.X, FIRECP4.XX-CONT duplex
19		FD-FM-X10 Credenza Brackets	27		FD-BPI.1CIR Single Circuit infeed
20		FD-FM-X9 Panel Mount Kit Bracket	28		FD-BPI.4CIR 4 Circuit infeed
21		FMOD.BRKT Modesty Bracket	29		FCPT.Inset foot template for inset leg
22		FPSFLUSH and FPSGAP Flush and Gap Bracket for privacy screen	30		FCPT.Taper foot template for taper leg
23		FD.SFC.306.4B Power Strip	31		FCREDLEG.Inset
24		FVGR23 Grommet Cover	32		FCREDLEG.Taper