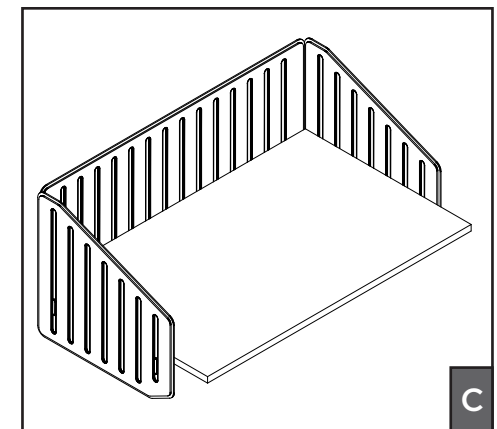
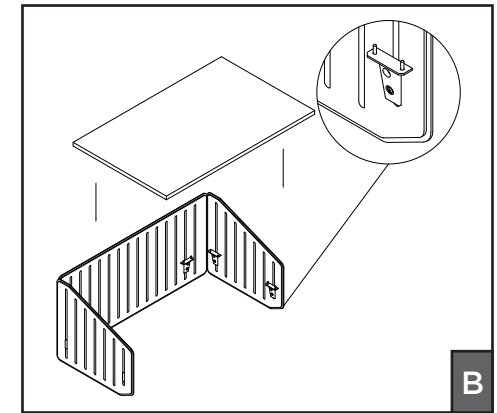
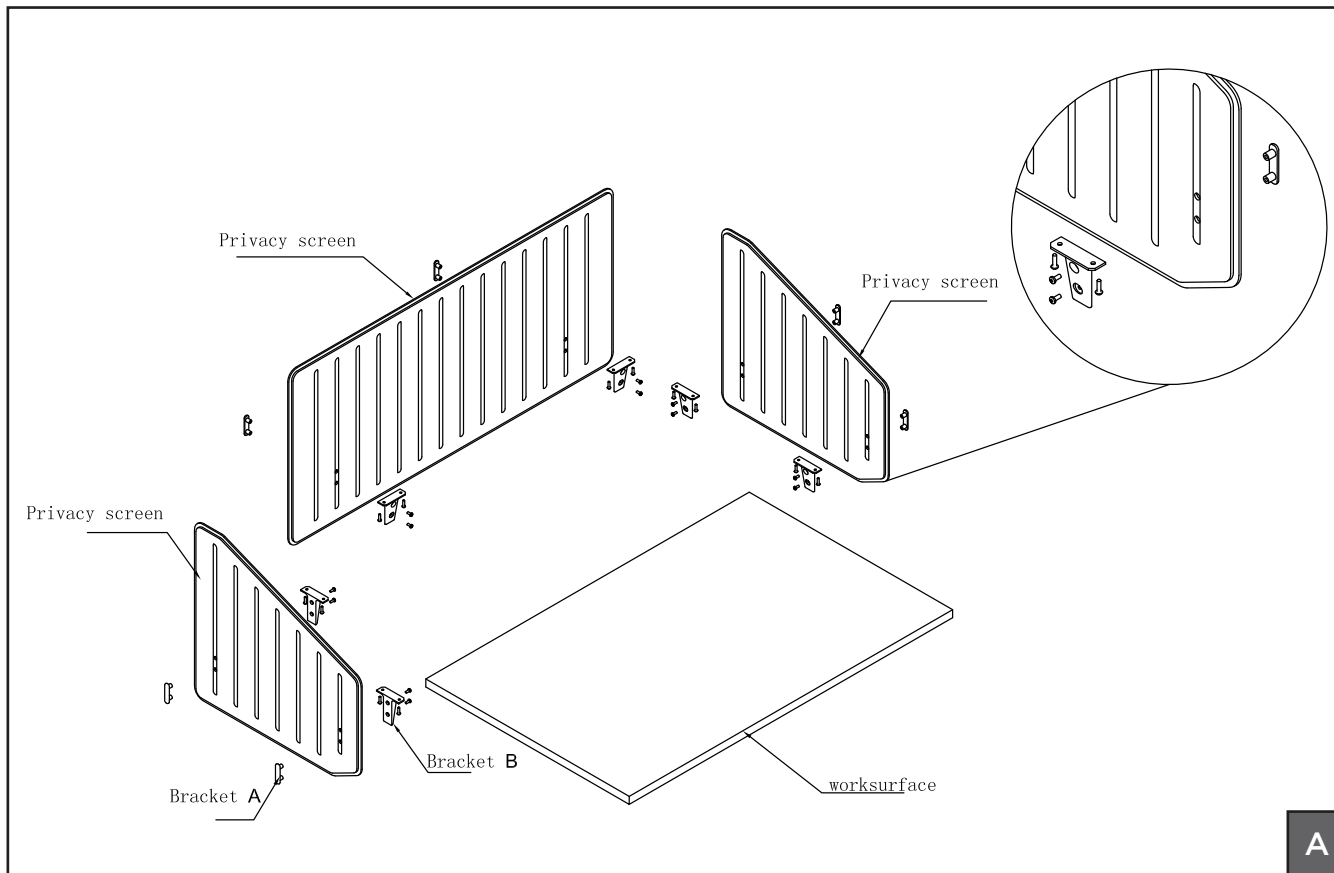


# Flyp Screen Installation

Surface-mounted PET screens mount to the underside of any laminate/veneer worksurface top.

1. Identify desired location of screen on work top
2. Slide (2) Bracket A through holes in screen **[IMAGE A]**
3. Snap (2) Bracket B on to extended side of (2) Bracket A
4. Secure screen to bottom of work top with screws through (2) Bracket B **[IMAGE B]**



# Flyp Screen Installation

Surface-mounted PET screens mount to the underside of any laminate/veneer worksurface top.

1. Identify desired location of screen on work top
2. Slide (2) Bracket A through holes in screen **[IMAGE A]**
3. Snap (2) Bracket B on to extended side of (2) Bracket A
4. Secure screen to bottom of work top with screws through (2) Bracket B **[IMAGE B]**

