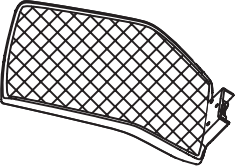
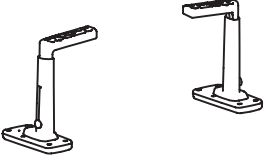


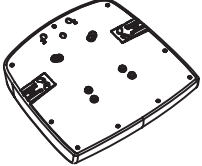



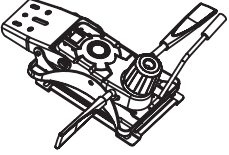





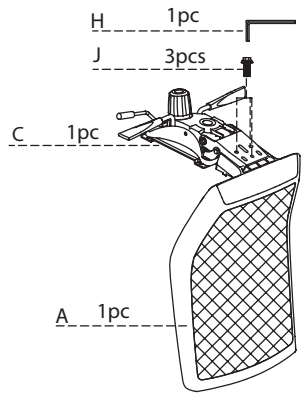
User Guide and Assembly Instructions

VEKTOR

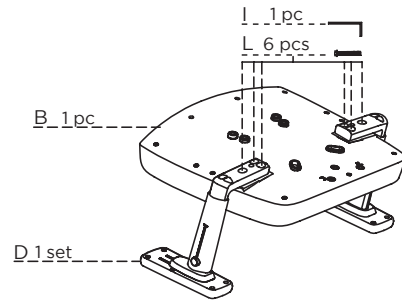
Parts and Hardware

			
<p>A Back (1 pc)</p>	<p>D Armrest (1 set)</p>	<p>G Caster (5 pcs)</p>	<p>J Bolt (5/16" * 3/4") (3 pcs)</p>
			
<p>B Seat (1 pc)</p>	<p>E Gas Lift (1 pc)</p>	<p>H Allen Key M5 (1 pc)</p>	<p>K Bolt (5/16" * 1 1/4") (4 pcs)</p>
			
<p>C Seating Mecanism (1 pc)</p>	<p>F Base (1 pc)</p>	<p>I Allen Key M4 (1 pc)</p>	<p>L Bolt (1/4" * 1 3/4") (6 pcs)</p>

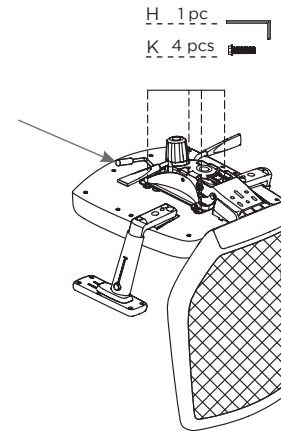
Assembly Instructions



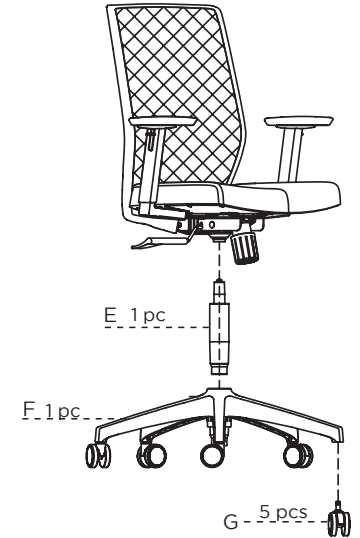
Step 1
Attach Back [A] to Seat Mechanism [C] with bolts [J] using Allen Key [H]. Set aside.



Step 2
Attach Armrest [D] to Seat [B] with Bolts [L] using Allen Key [I].



Step 3
Attach Seating Mechanism [C] to Seat [B] with bolts [K] using Allen Key [H]. To access the inserts for the bolts, release the seat slider mechanism by pulling the tab highlighted above.



Step 4
Insert Casters [G] into Base [F]. Push hard until you feel or hear the casters snap into place.

Step 5
With the base [F] upright and the casters [G] on the floor, insert the gas lift [E] into the base [F].

Step 6
Attach the seating mechanism onto the gas lift [E]. Apply pressure onto Seat [B].

User Guide



Functions:

1. Turning the dial under the seat controls the tension of Back when reclining.
2. Lever on the right closest to the front of the chair allows the seat to go forward and backwards.
3. Lever on the right closest to the back allows the seat to go up and down.
4. Armrests are able to swivel inward and outward.
5. Push the button on the outside of the armrest to adjust the height of the armrest.
6. Raise or lower the lumbar support behind the seat back as required.
7. Use lever on the left side of the chair to lock the chair from reclining back.

Product Dimensions

