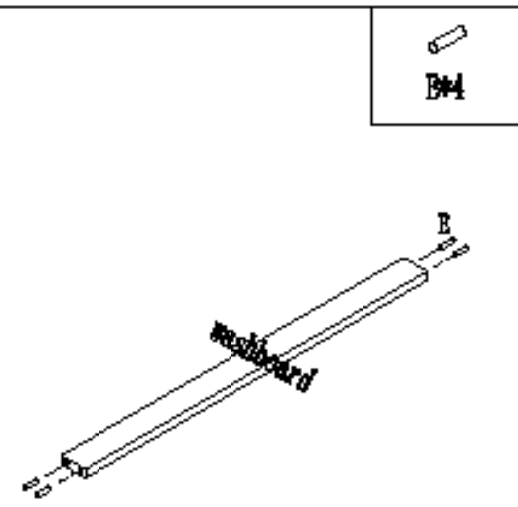
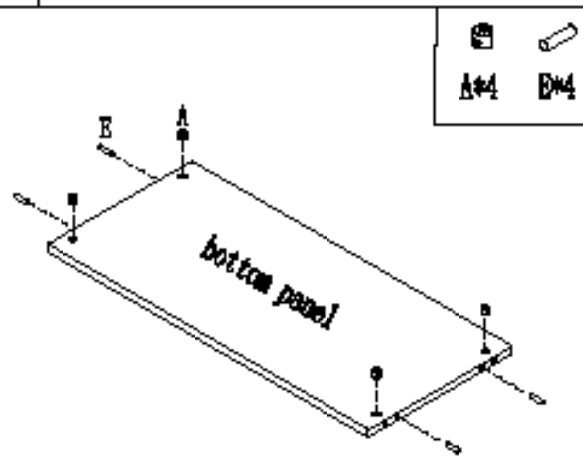
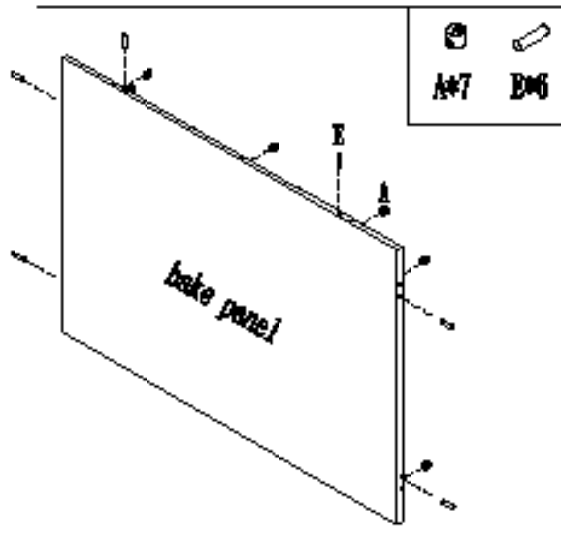
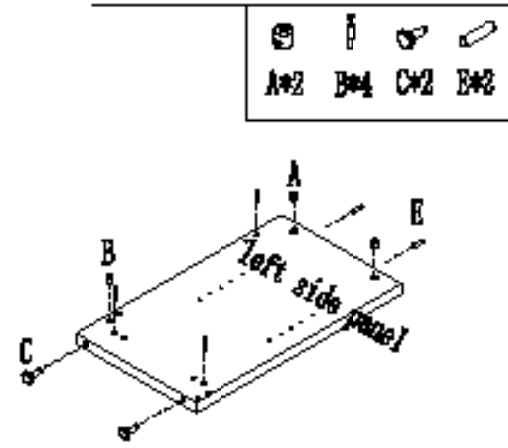
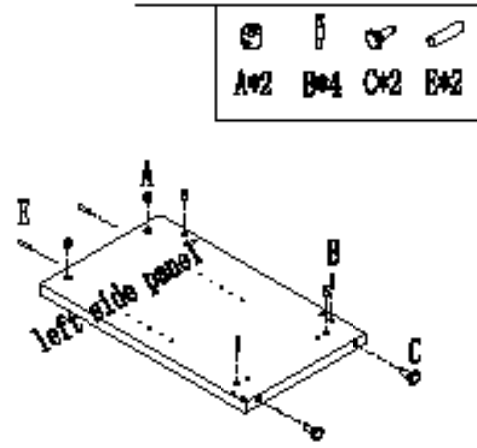
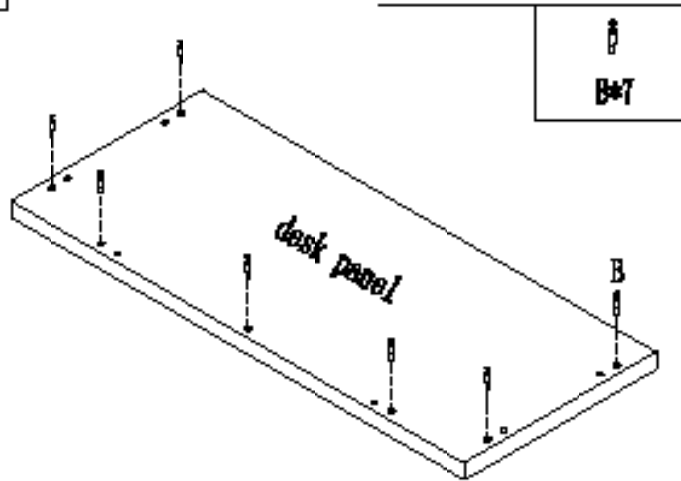
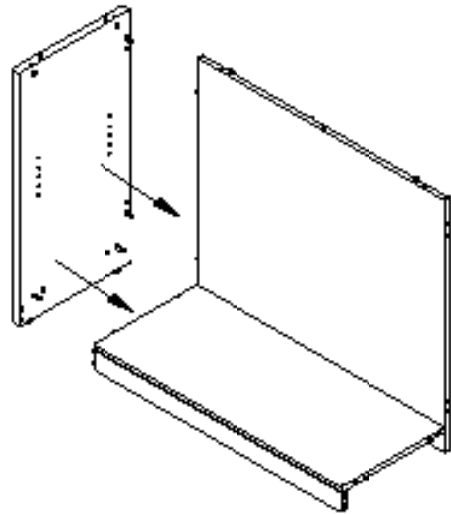


Installation/CAM-2265.N Friant Wood CO., LTD.

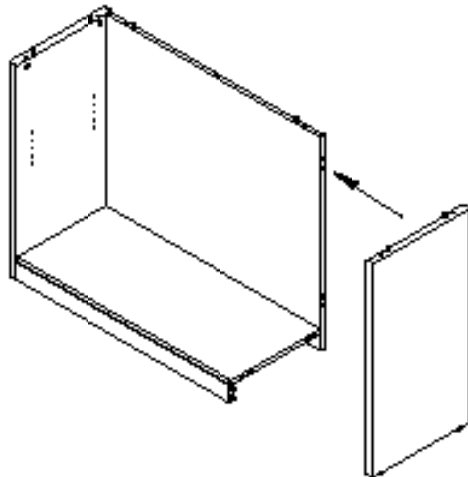
1



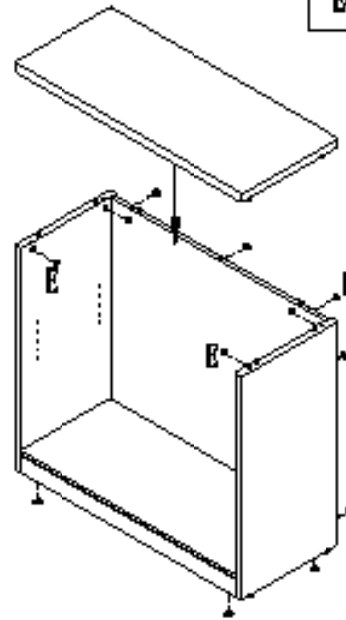
2



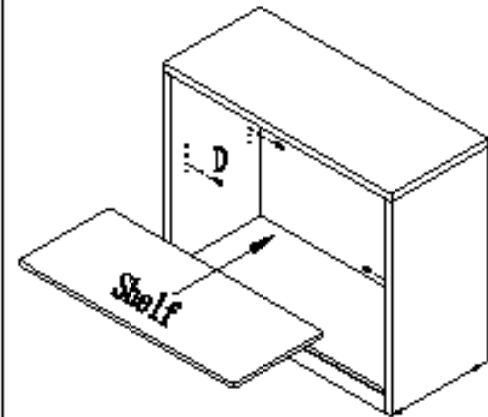
3



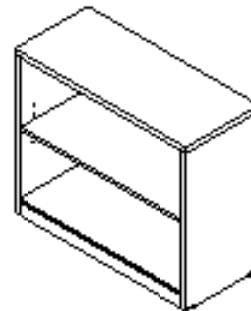
4



5



appearance



Hardware

NO.	symbol	name	QTY
1		Cam	16
2		Connector	16
3		Glider	4
4		Shelf support	4
5		Down	16
7		Cam L34 (top)	4
8		Cam L34 (low)	11