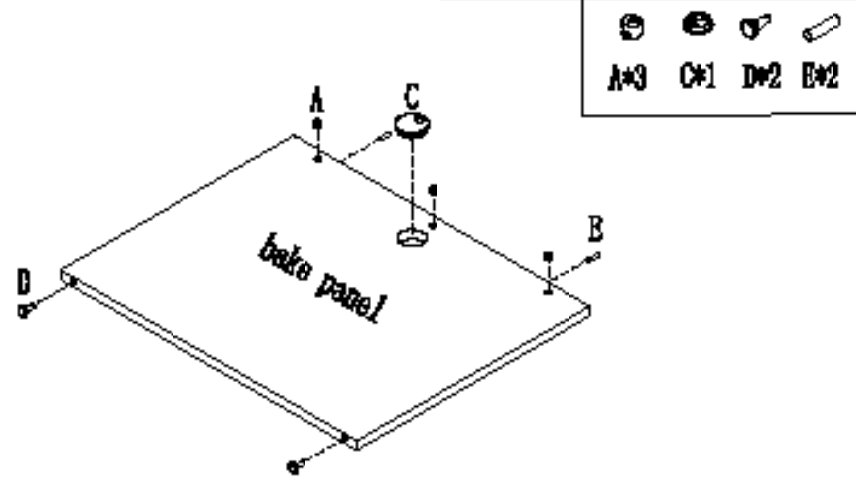
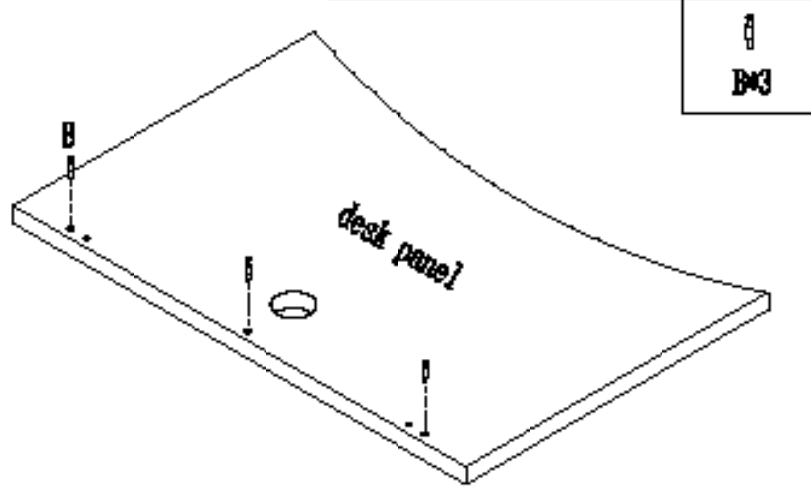
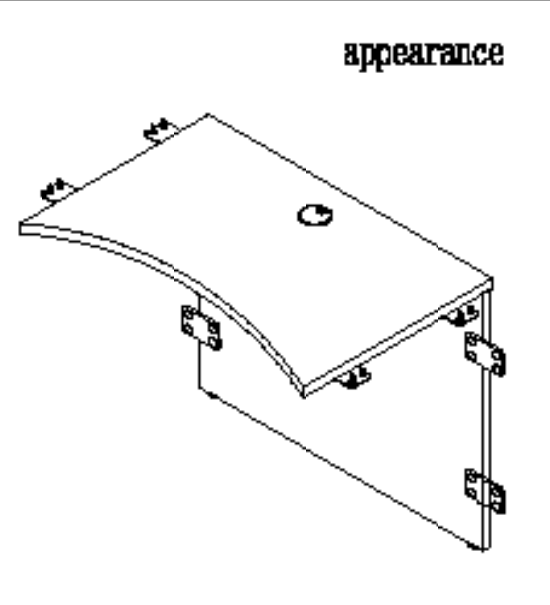
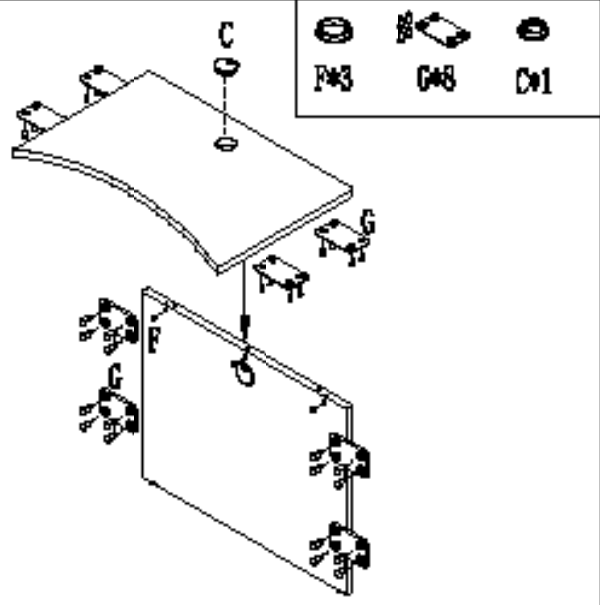


1



2



appearance

Hardware			
NO.	symbol pic	name	QTY
A		Cam	3
B		Connector	3
C		Bracket	2
D		Slider	2
E		Level	2
F		Cam lid(4step)	3
G		Sliding plate	3