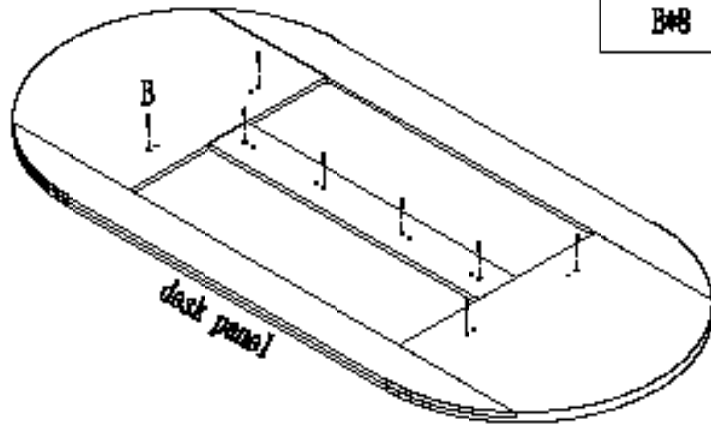


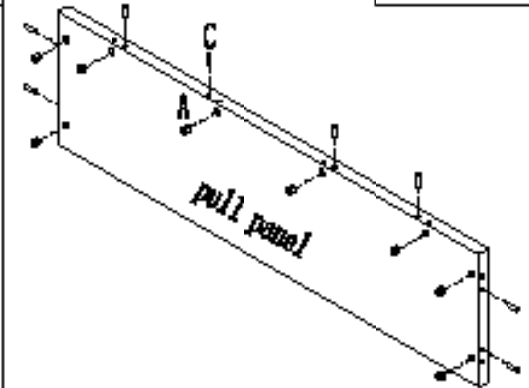
1



B*8
C*8

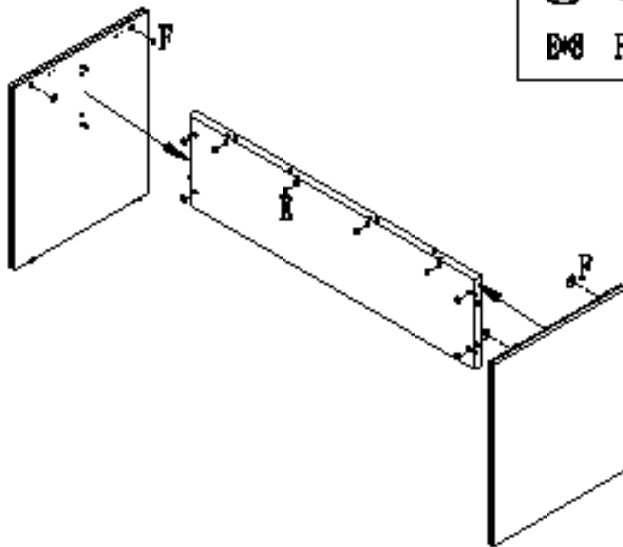


A*4 B*4 C*4 D*4



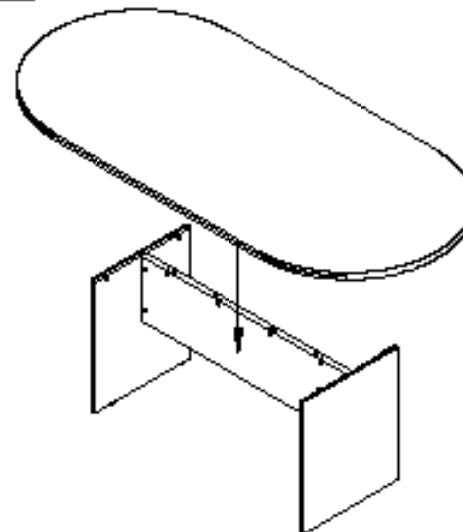
A*8 C*8

2

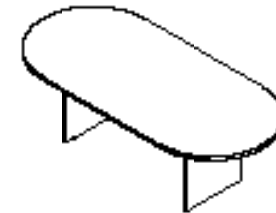


E*8 F*4

3



appearance



Hardware

NO.	sample pic	name	QTY
A		Cam	12
B		Connector	12
C		Dowel	12
D		Slider	4
E		Cam Hid (deep)	8
F		Cam Hid (low)	4