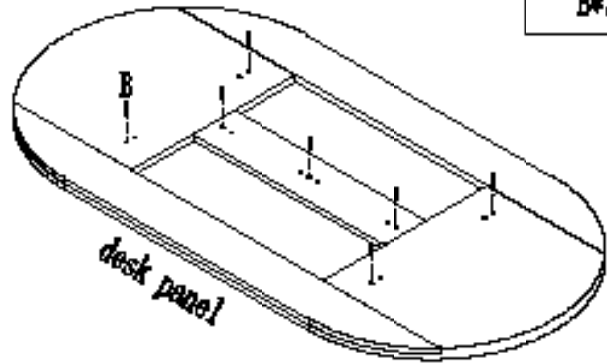
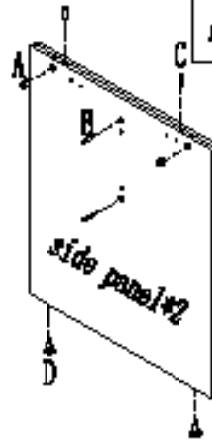


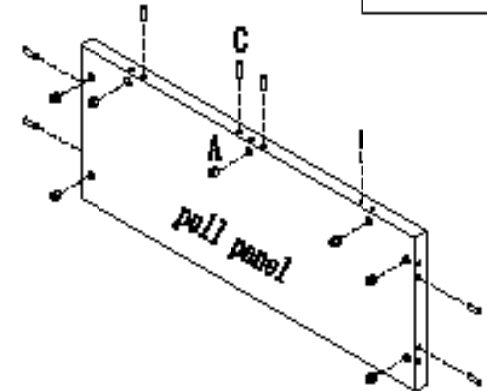
1



B*7

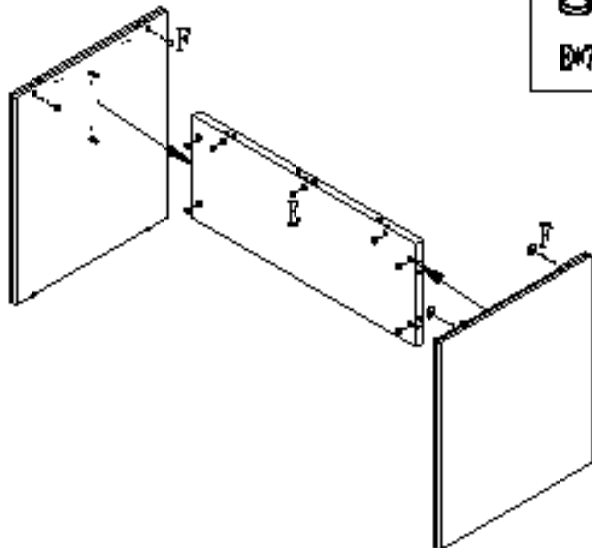


A*4 B*4 C*4 D*4



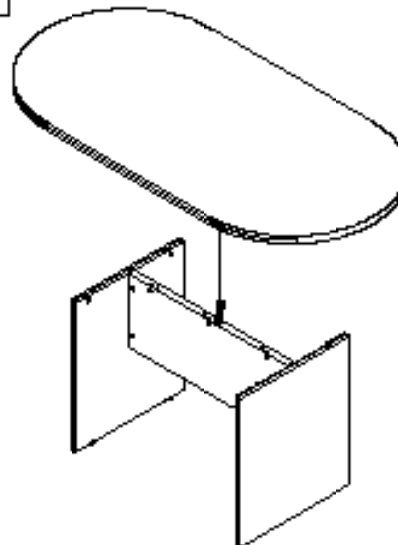
A*7 C*6

2

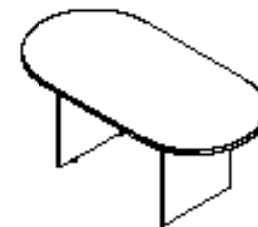


B*7 F*4

3



appearance



Hardware

| NO. | sample po | name | QTY |
|-----|-----------|----------------|-----|
| A | | Cam | 11 |
| B | | Connector | 11 |
| C | | Dowel | 12 |
| D | | Slider | 4 |
| E | | Cam Hid (deep) | 7 |
| F | | Cam Hid (low) | 4 |