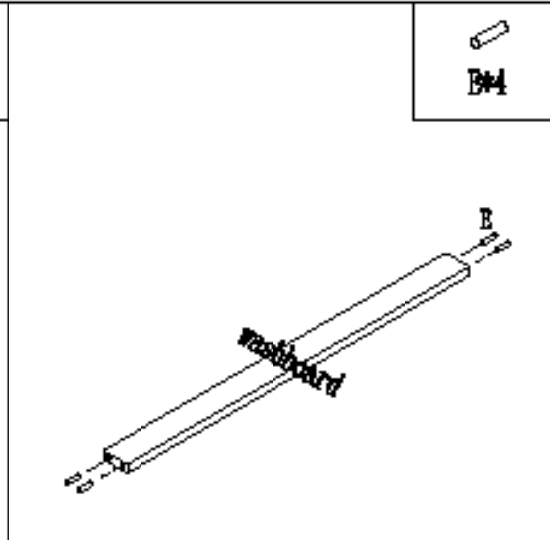
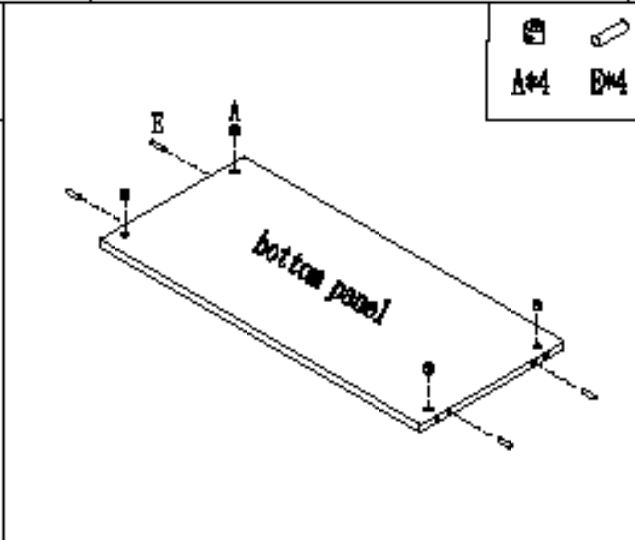
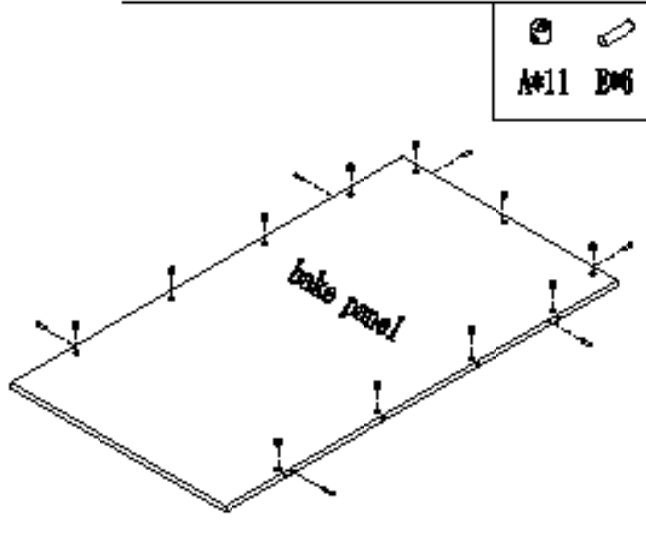
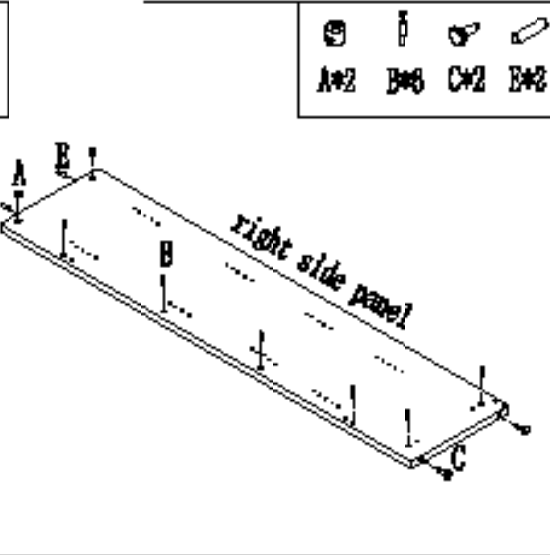
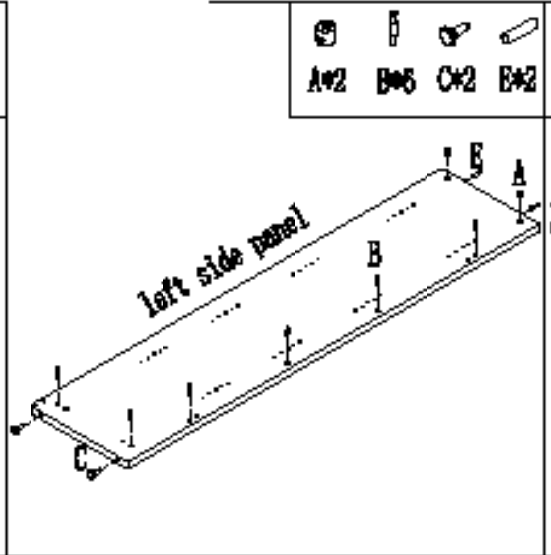
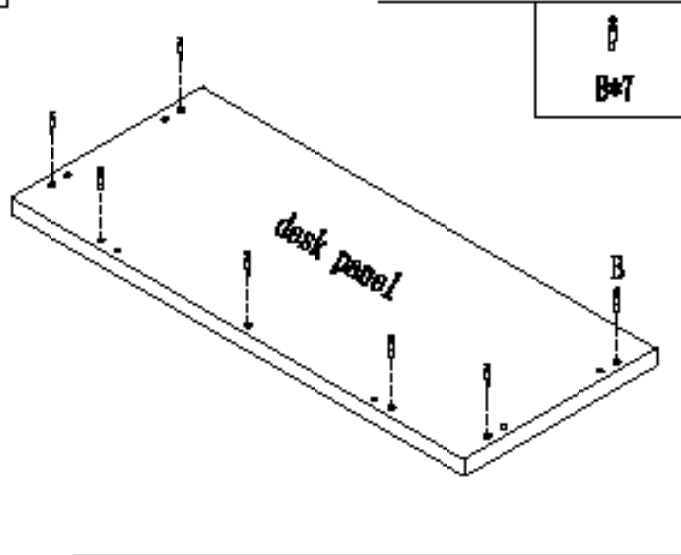
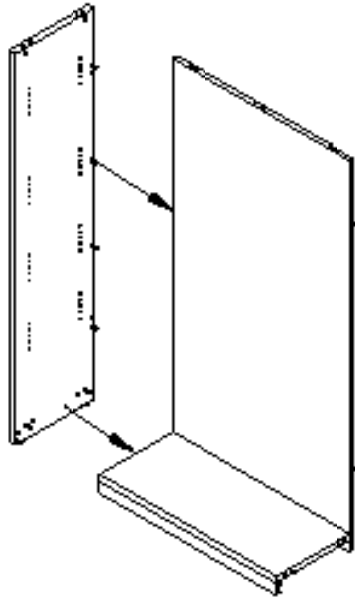


Installation/CAM-2238.N Friant Wood CO., LTD.

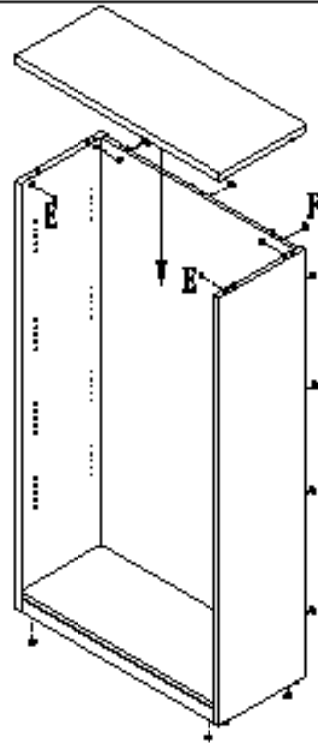
1



2



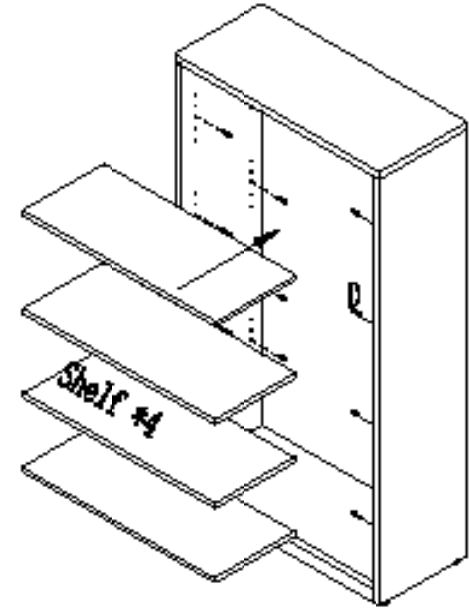
4



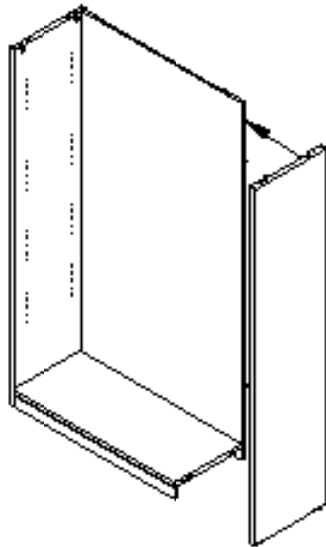

  
 E#4 F#15

5

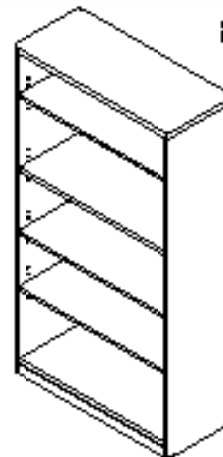
  
 D#16




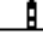
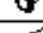
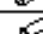



3



appearance



Hardware

NO.	sample pic	name	QTY
A		Cam	19
B		Connector	19
C		Glider	4
D		Shelf support	16
E		Dowel	19
F		Cam 134 (Lamp)	4
G		Cam 134 (Door)	16