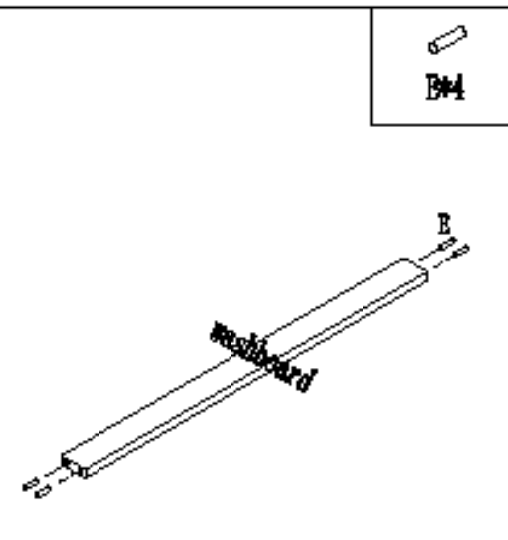
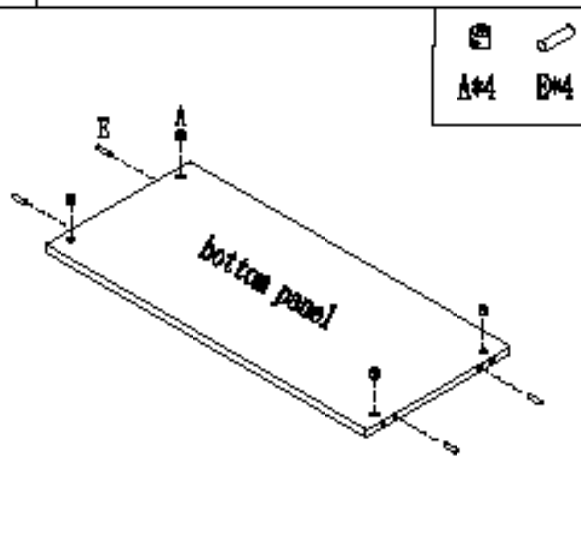
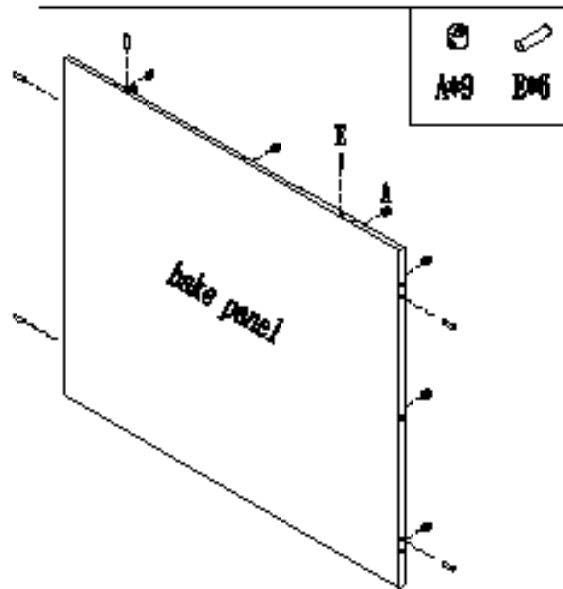
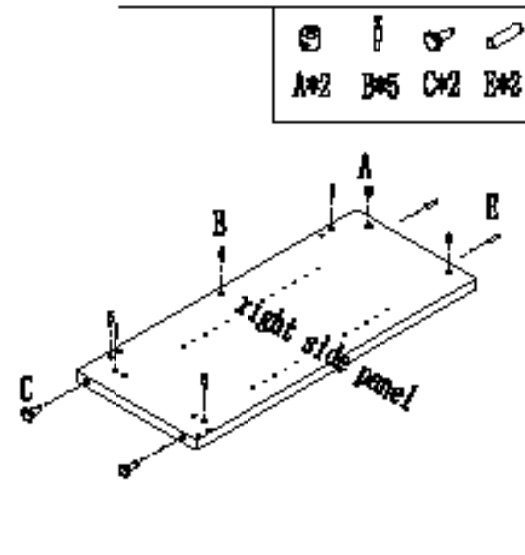
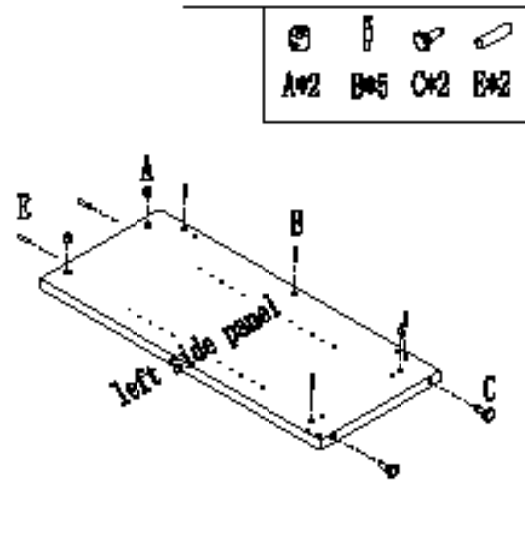
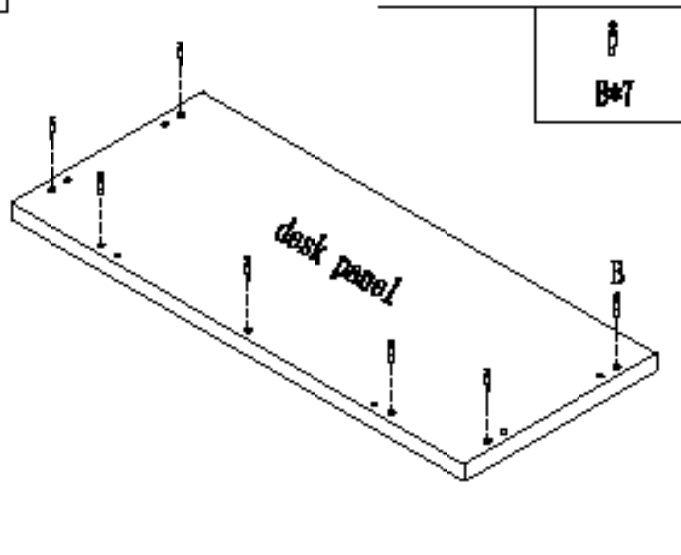
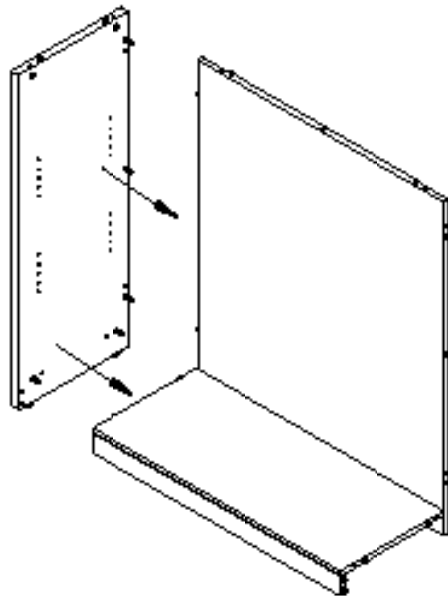


Installation/CAM-2237.N Friant Wood CO., LTD.

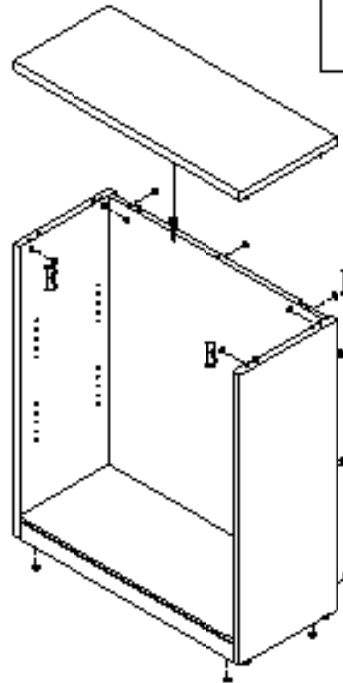
1



2

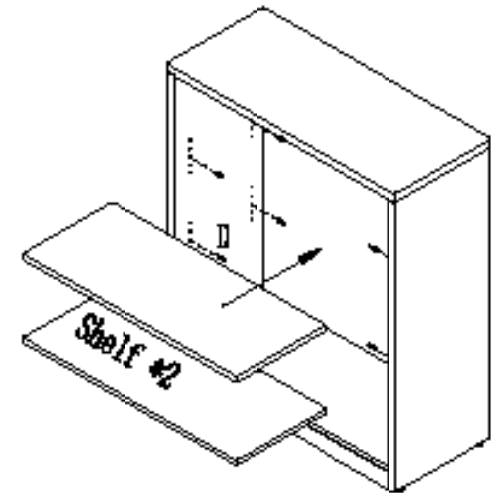


4



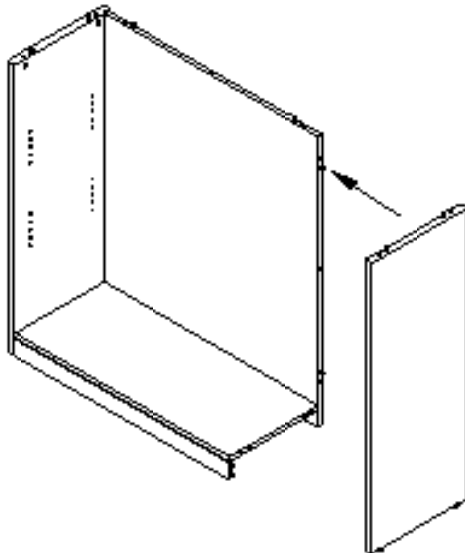
E04 F013

5

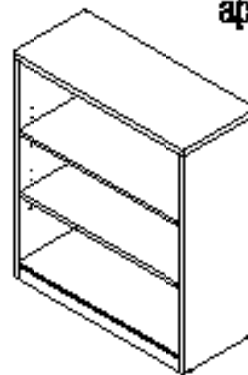


D08

3



appearance



Hardware

NO.	sample pic	name	QTY
1		Cam	17
2		Connector	17
3		Glider	4
4		Shelf support	8
5		Down	16
7		Cam L34 (top)	4
6		Cam L34 (low)	19