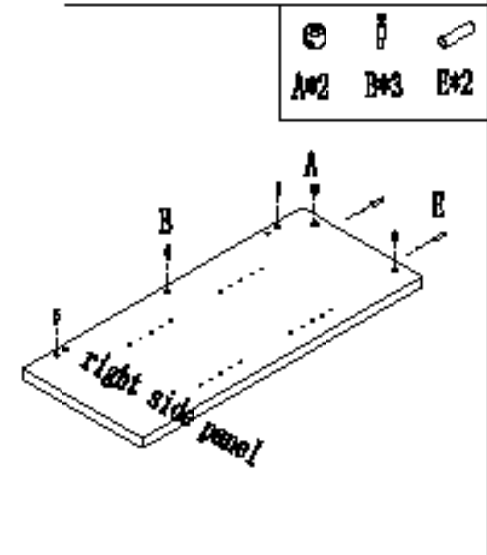
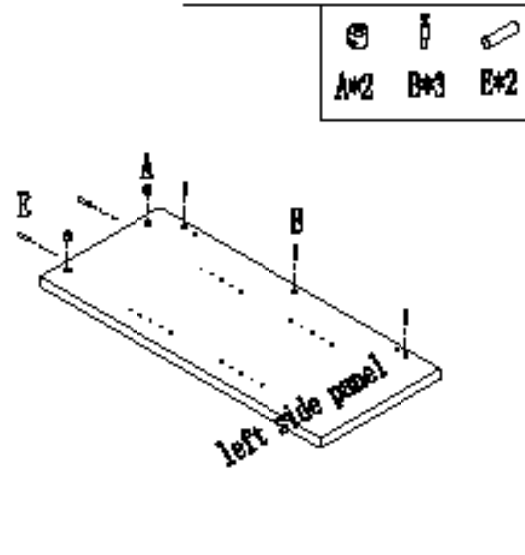
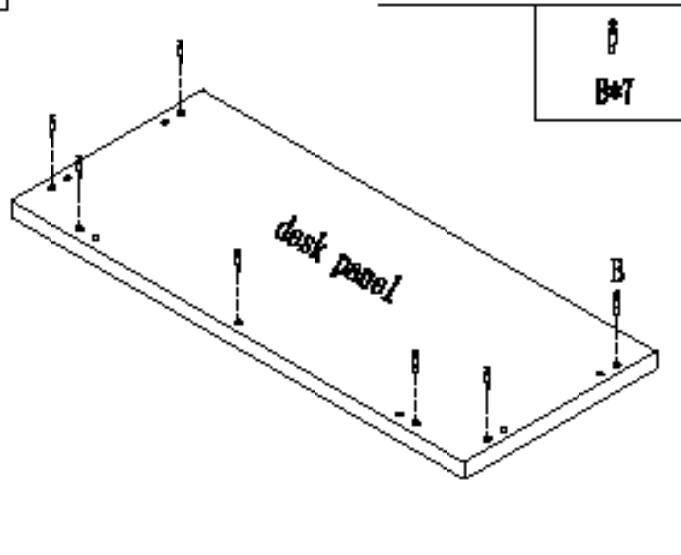
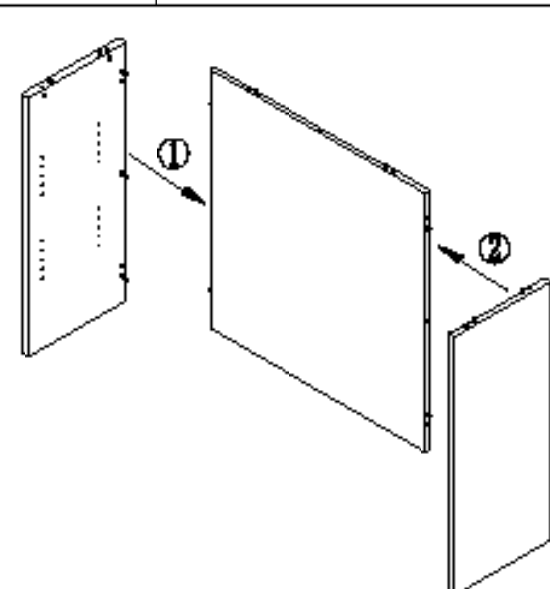
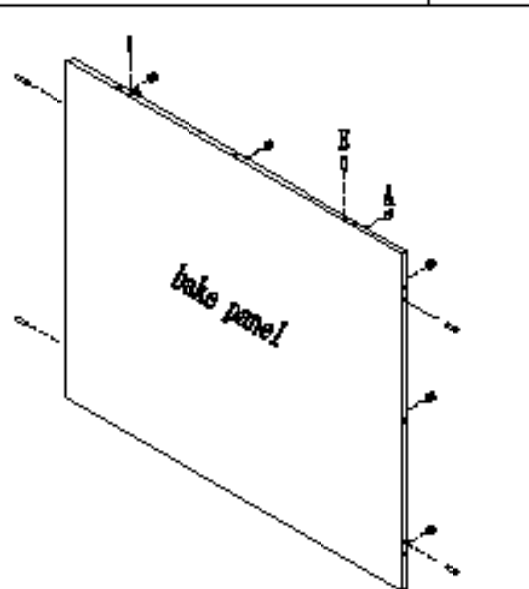


Installation/CAM-2236.N Friant Wood CO., LTD.

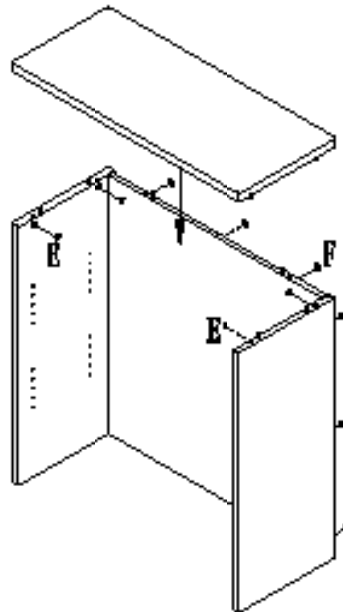
1



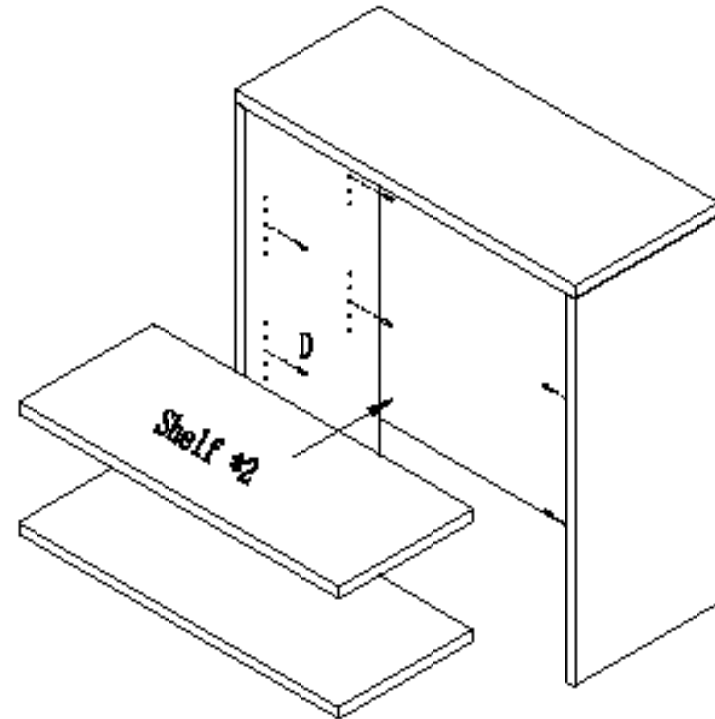
2



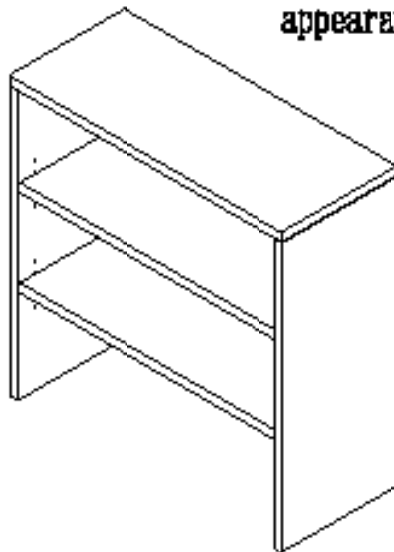
3



4



appearance



Hardware

NO.	sample pic	name	QTY
A		Cam	13
B		Connector	13
C		Dowel	10
D		Half support	8
E		Cam lid (long)	4
F		Cam lid (short)	4