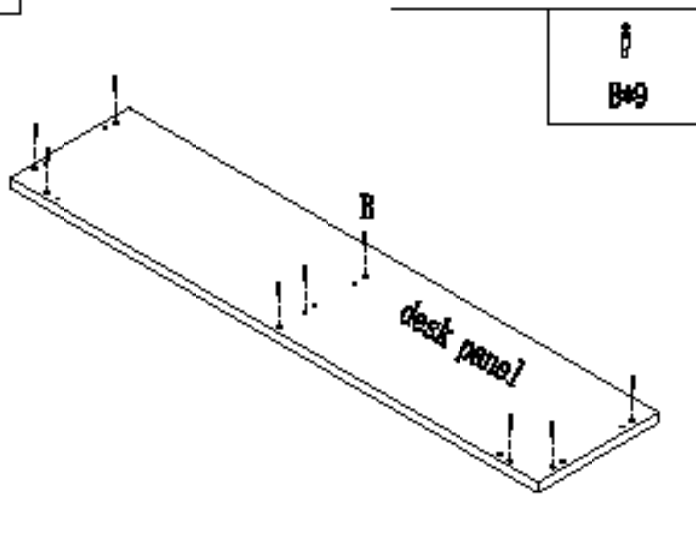
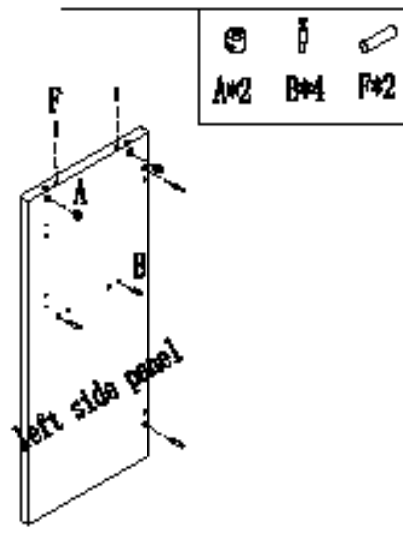


Installation/CAM-2231.N/CAM-2232.N Friant Wood CO.,LTD.

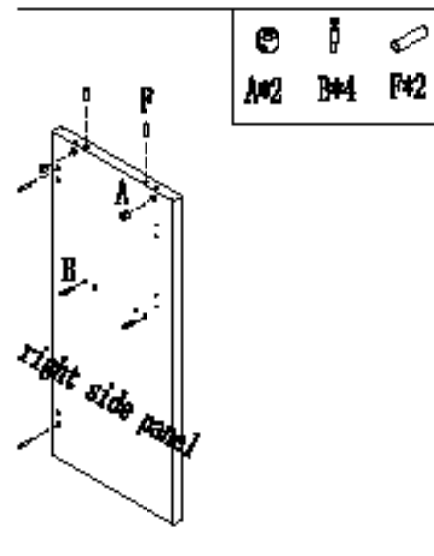
1



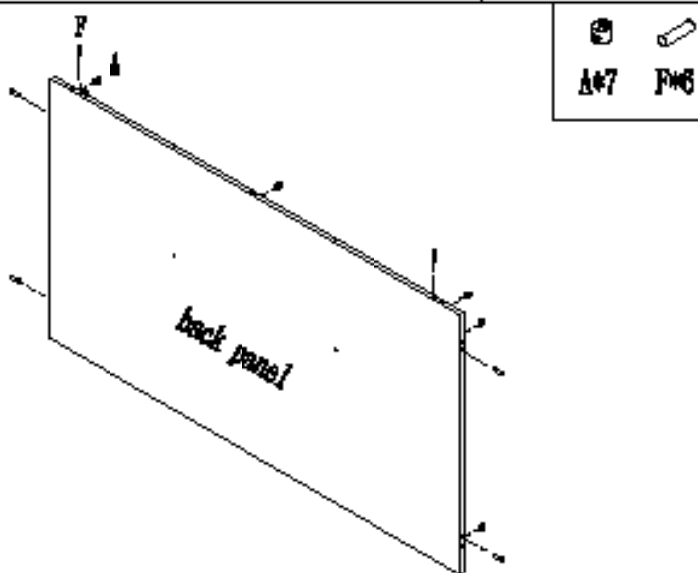
B*9



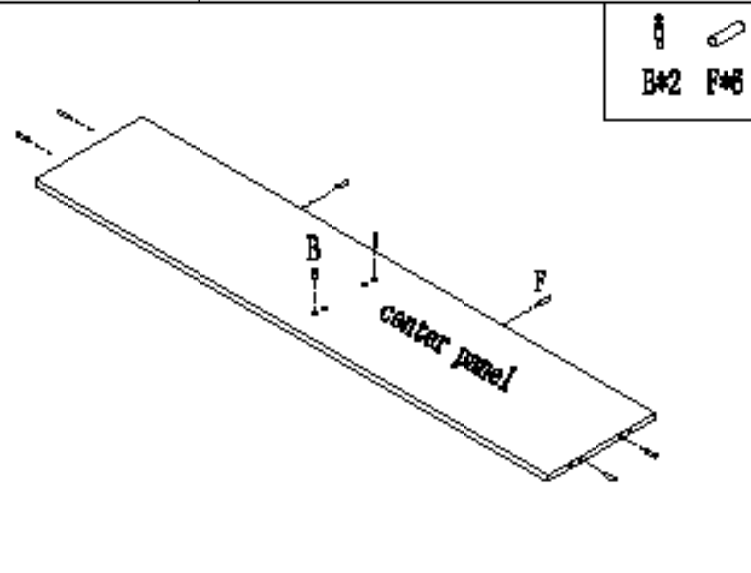
A*2 B*4 F*2



A*2 B*4 F*2

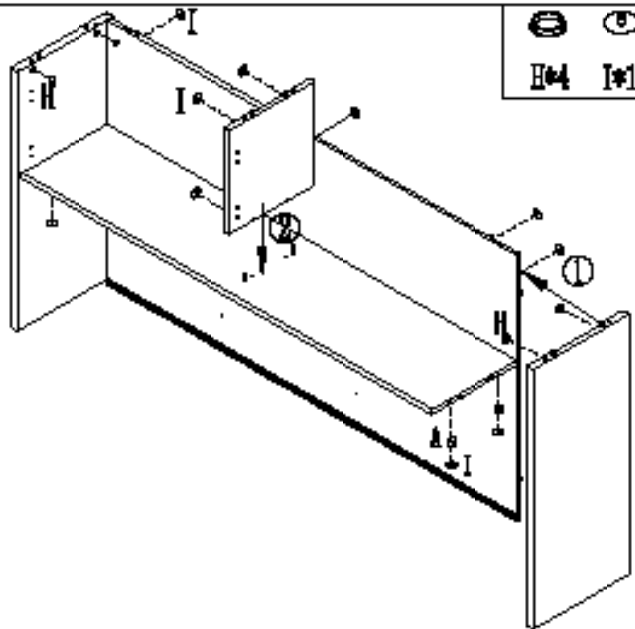
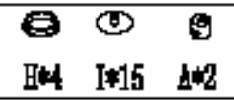
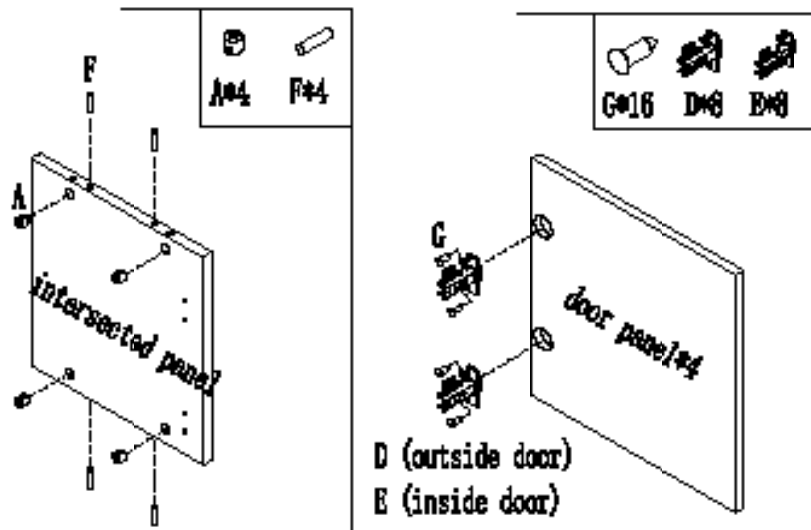


A*7 F*6

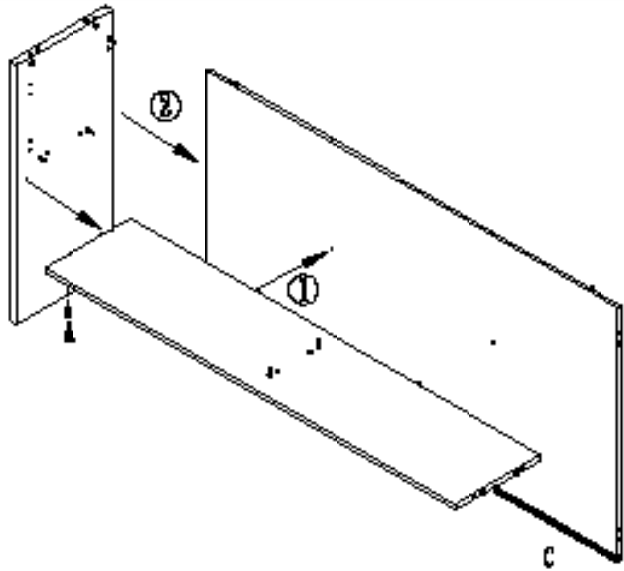


B*2 F*6

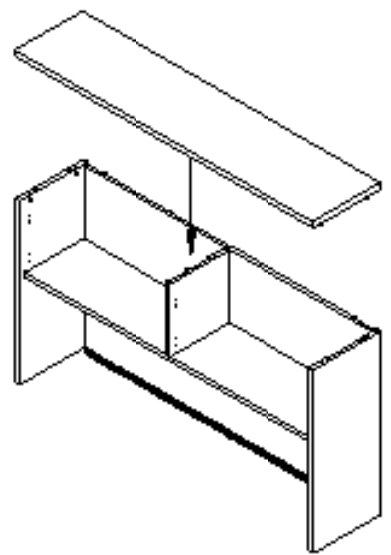
3



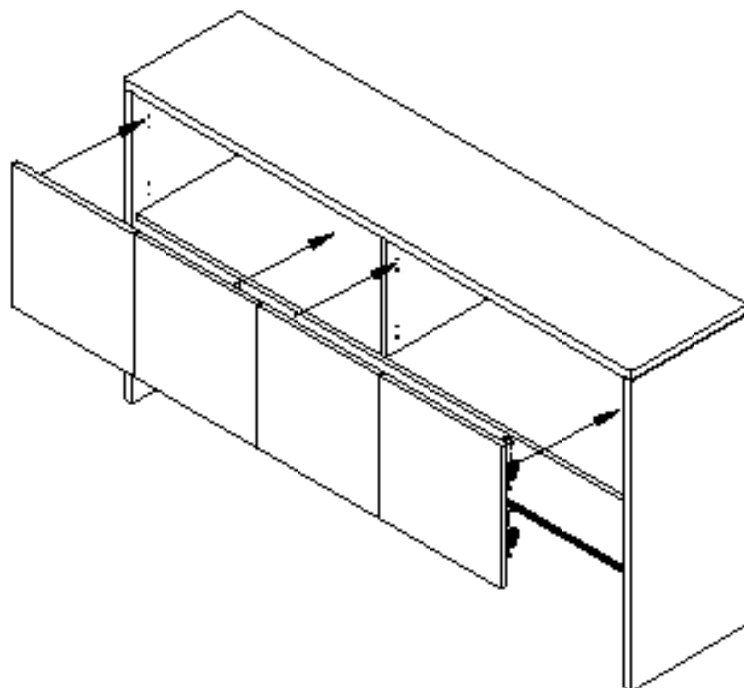
2



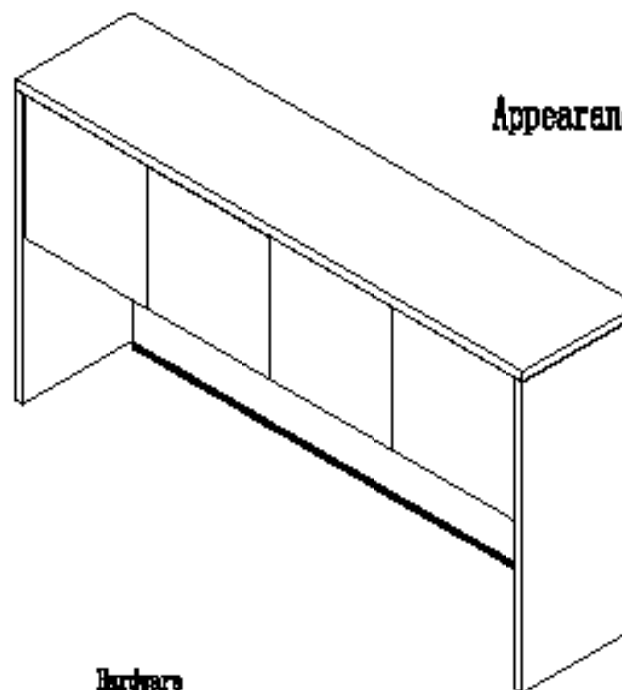
4



5



Appearance



Hardware

No.	Sample Pic	Name	Qty
A		Cam	19
B		Connector	19
C		Brush	1
D		Hinge (outside)	4
E		Hinge (inside)	4
F		Dowel	20
G		Screw	32
H		Cam lid (deep)	4
I		Cam lid (low)	15

Hinge (outside) D*4



Hinge (inside) D*4

