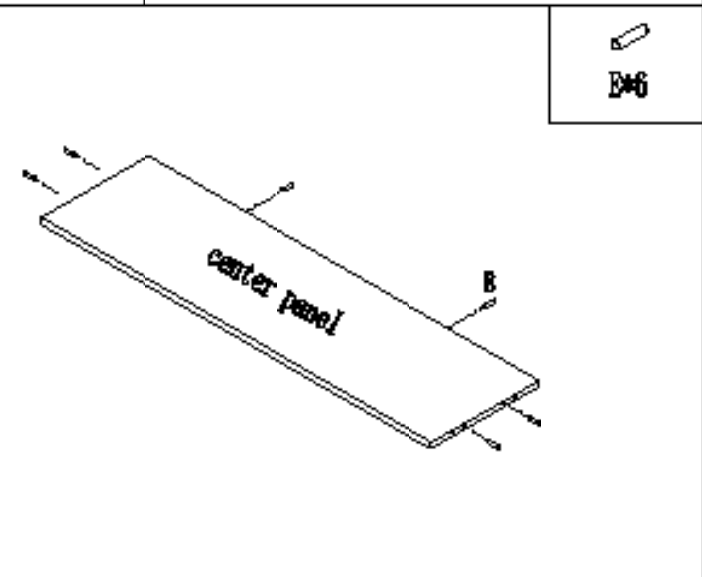
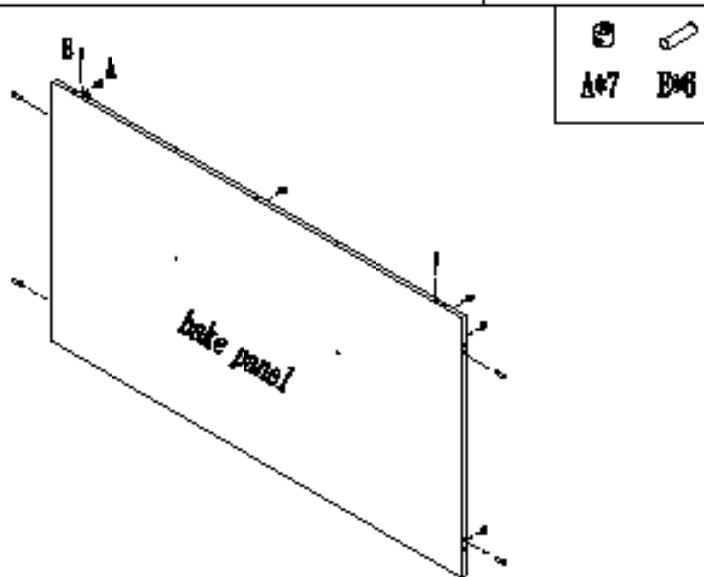
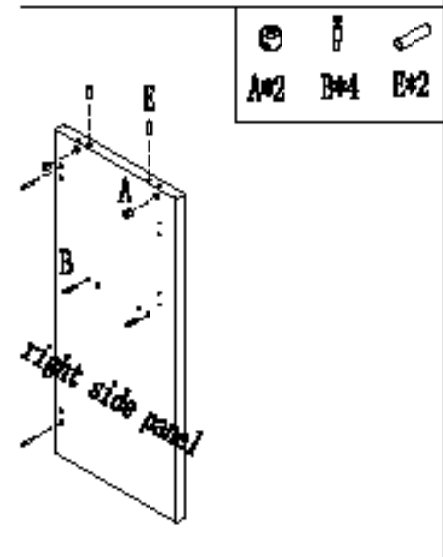
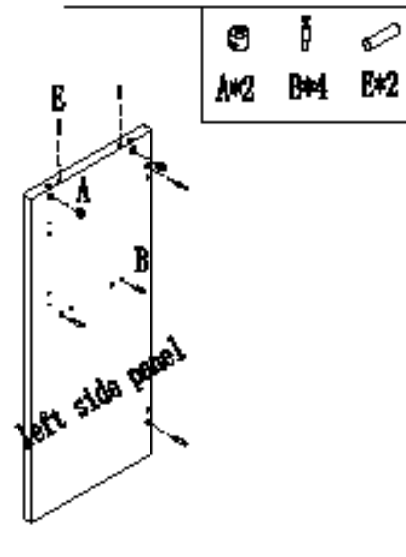
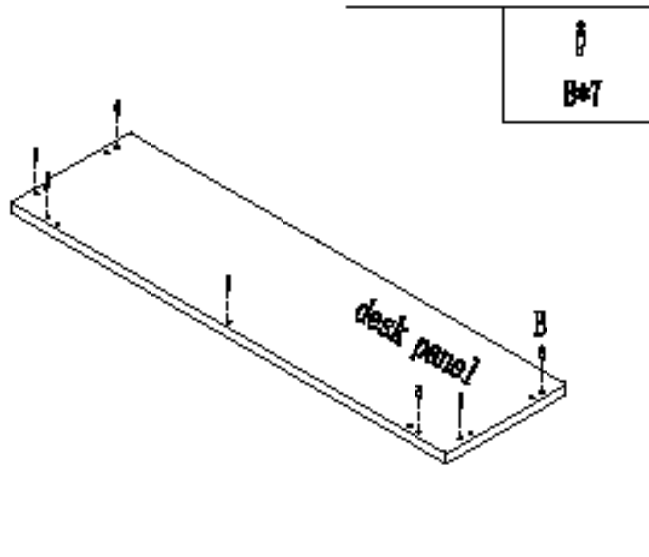
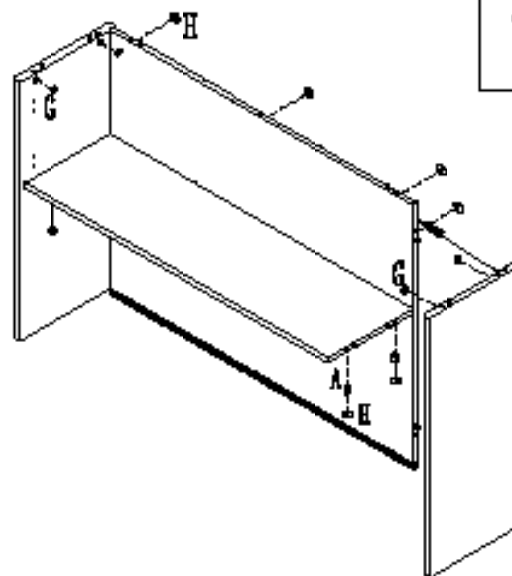
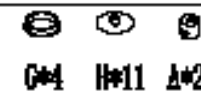
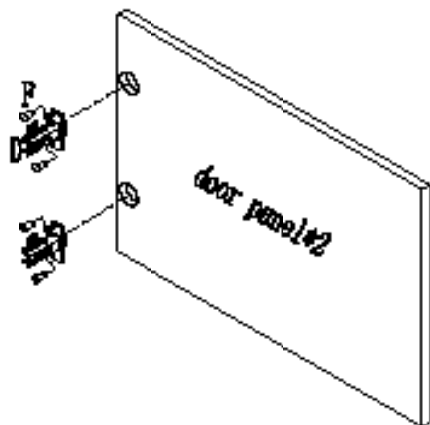


Installation/CAM-2230.N Friant Wood CO.,LTD.

1



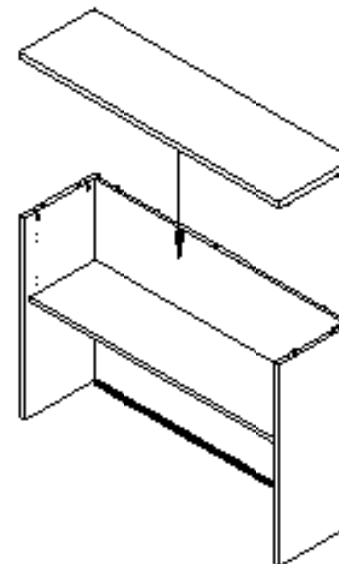
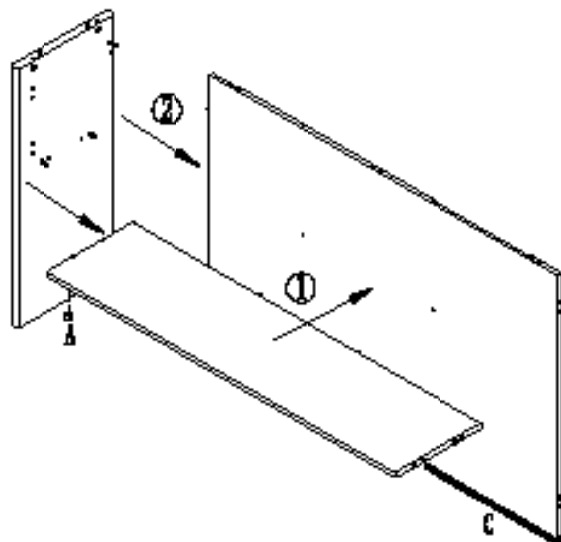
3



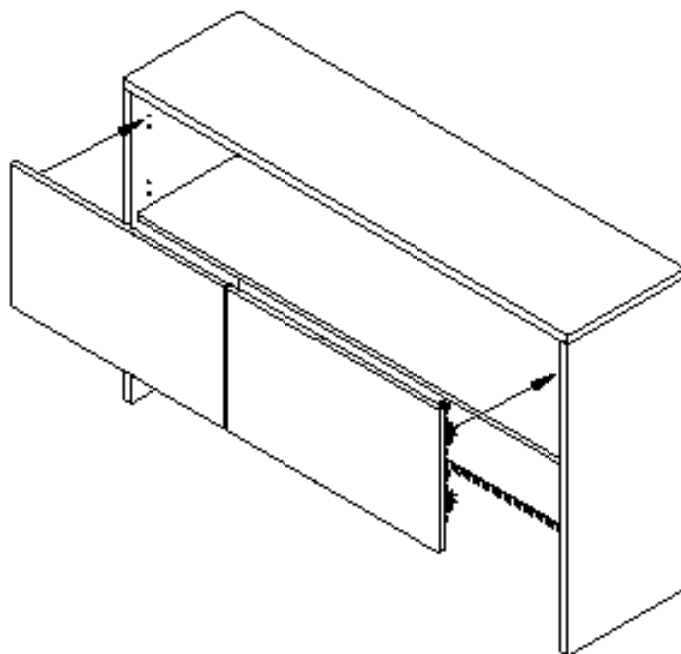
2



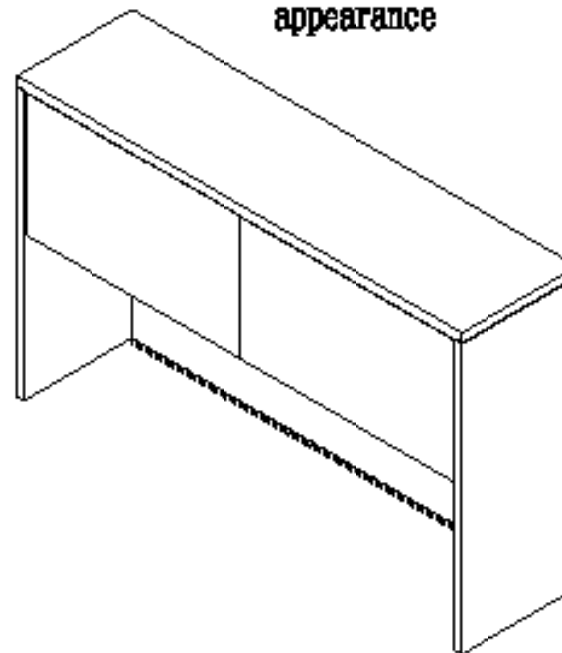
4



5



appearance



Hardware

NO.	sample pic	name	QTY
A		Cam	16
B		Connector	16
C		Brush	1
D		Hinge	4
E		Dowel	16
F		Screw	16
G		Cam Lid (top)	4
H		Cam Lid (door)	11