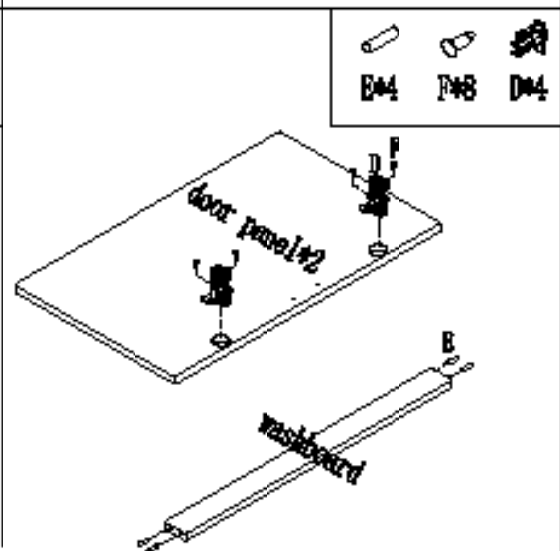
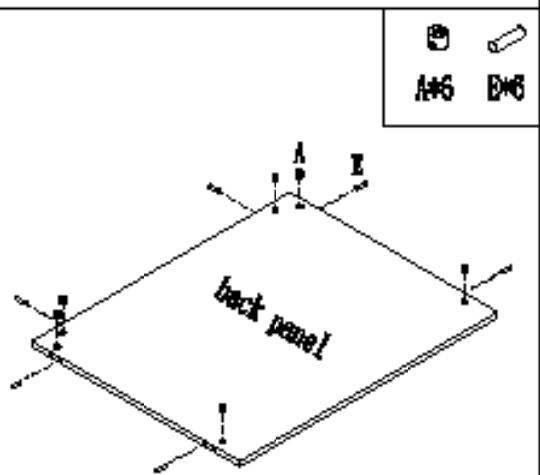
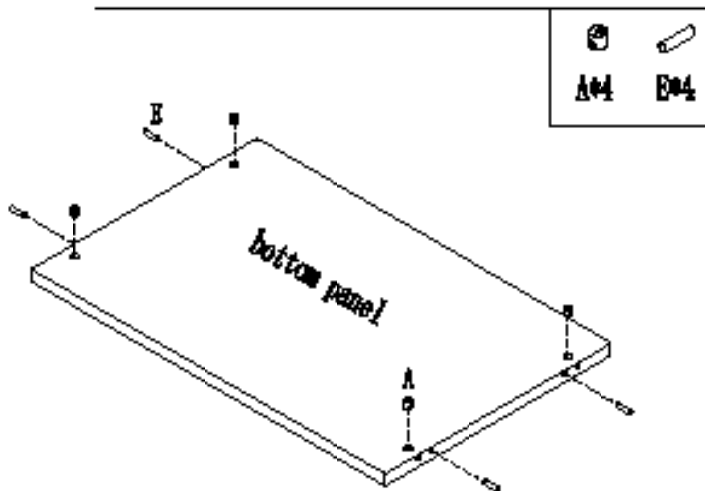
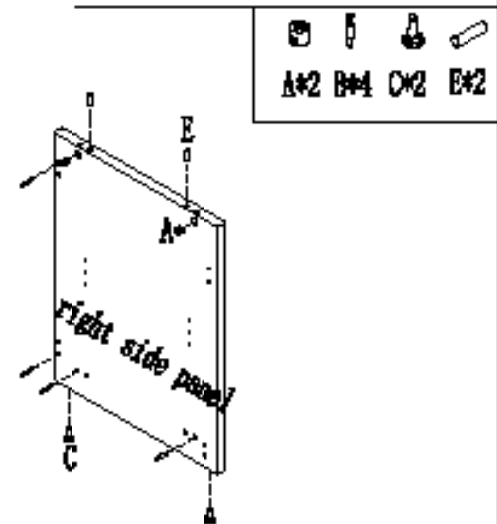
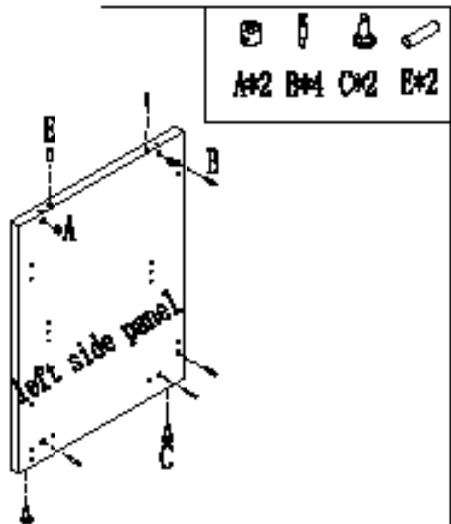
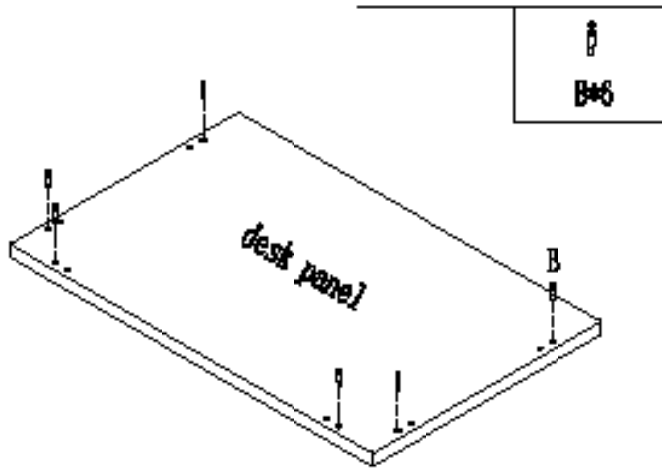
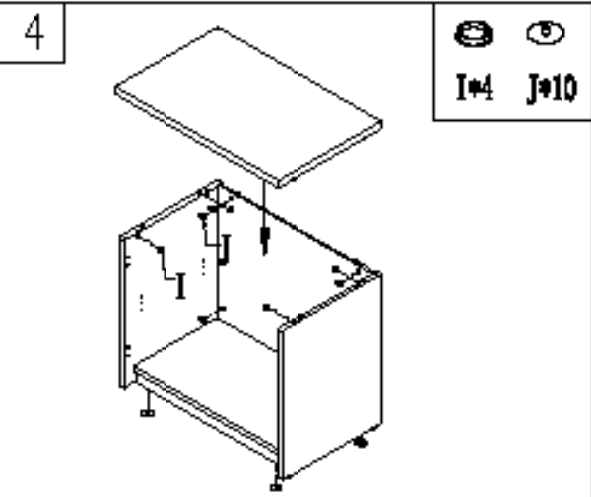
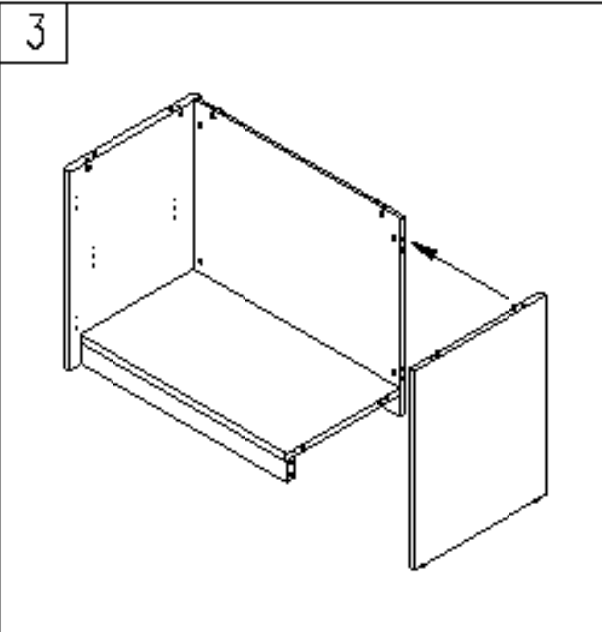
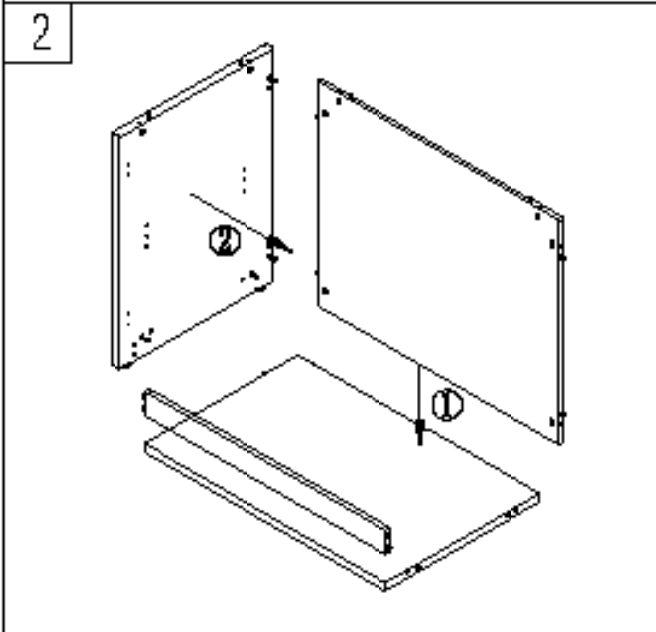


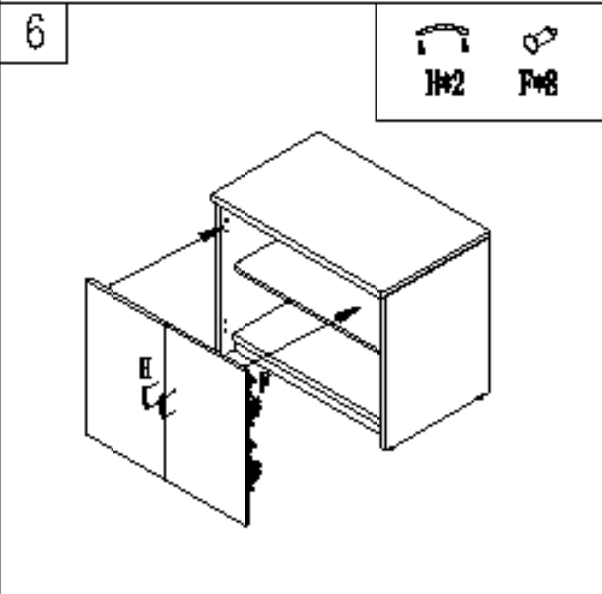
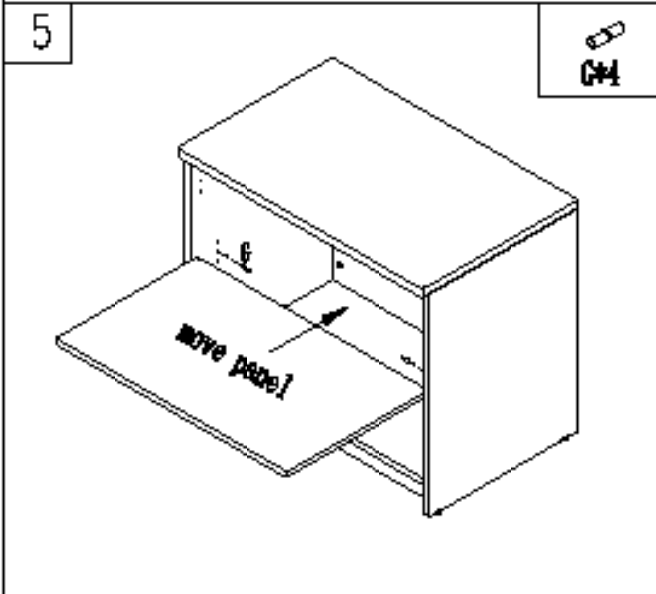
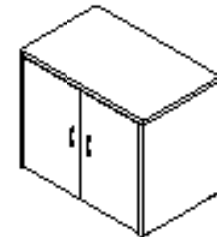
Installation/CAM-2227.N Friant Wood CO., LTD.

1





appearance



H=2 I=8

Hardware

NO.	sample pic	name	QTY
A		Cam	14
B		Connector	14
C		Glider	4
D		Cover	4
E		Level	10
F		Screw	10
G		Shelf support	4
H		Handle	2
I		Cam Nut(high)	4
J		Cam Nut(low)	10