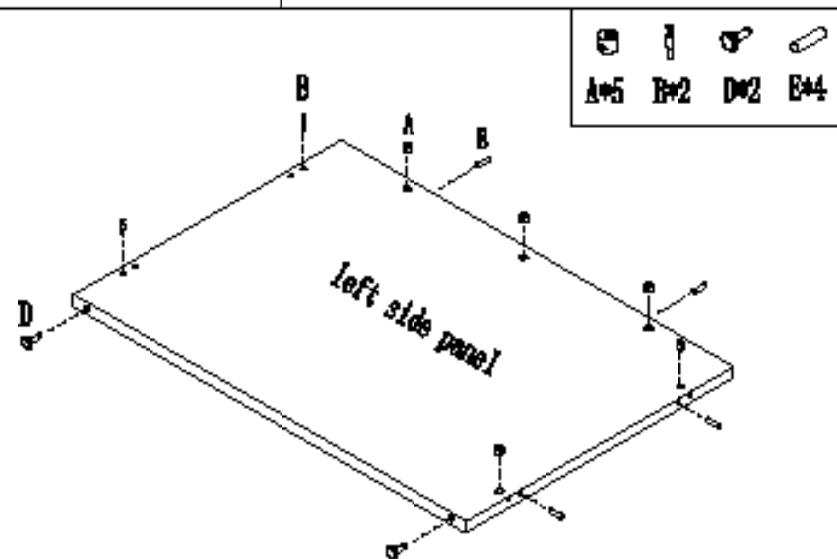
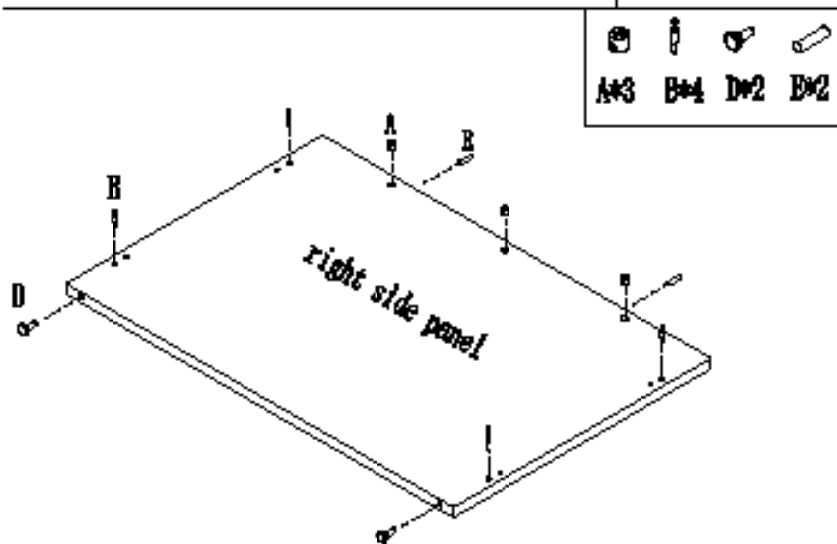
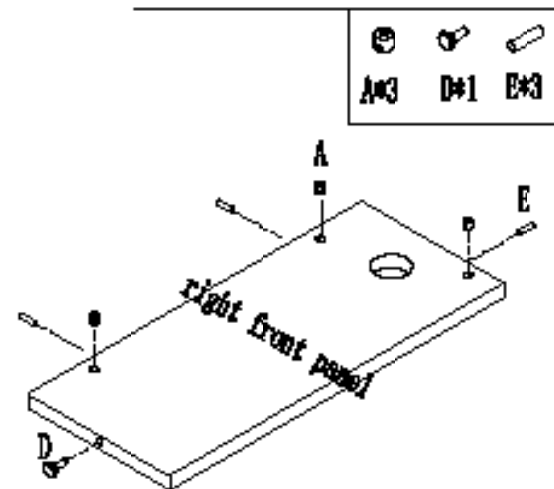
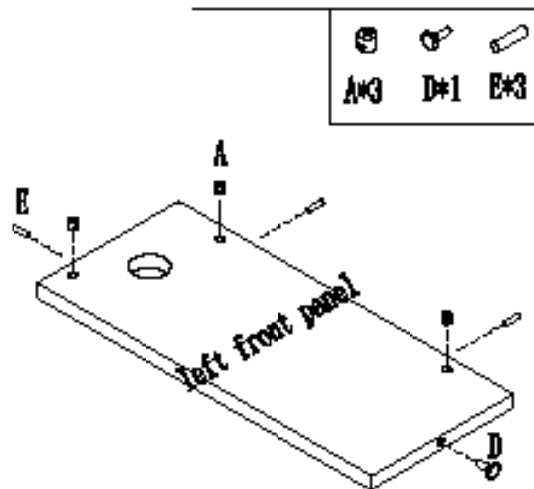
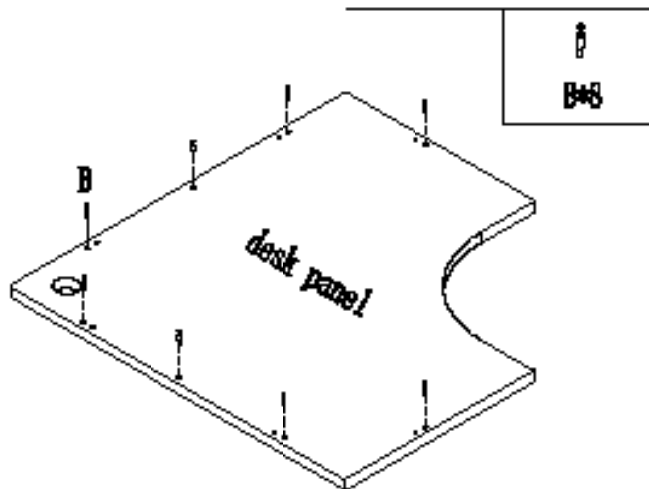
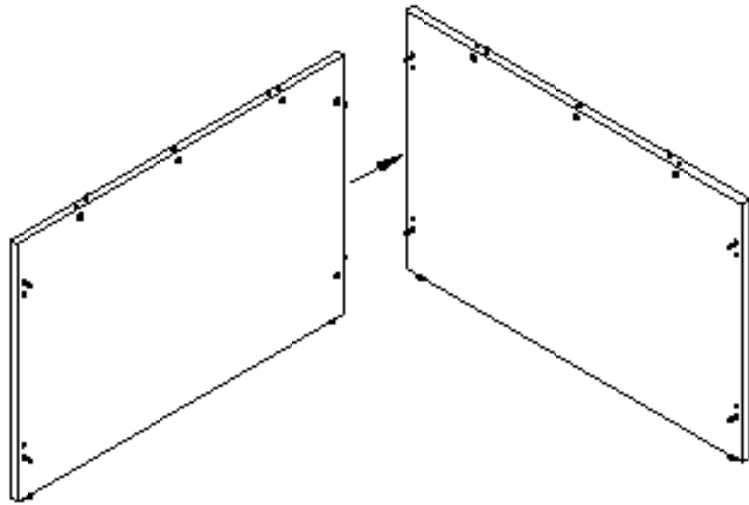


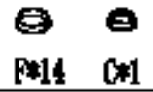
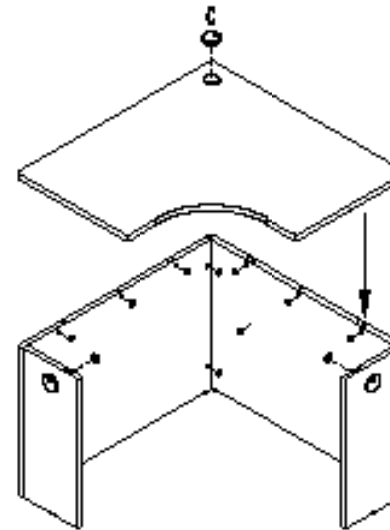
1



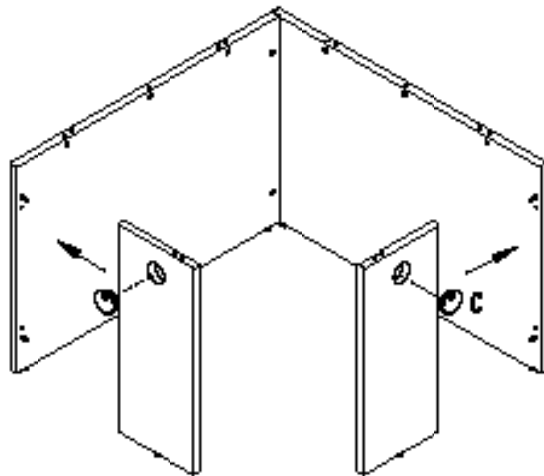
2



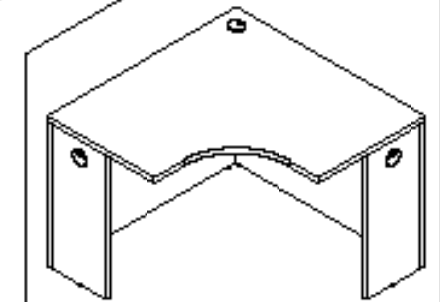
4



3



appearance



Hardware

NO.	sample pic	name	QTY
A		Cam	14
B		Connector	14
C		Screw	2
D		Slider	6
E		Nail	12
F		Cam Lid (top)	14