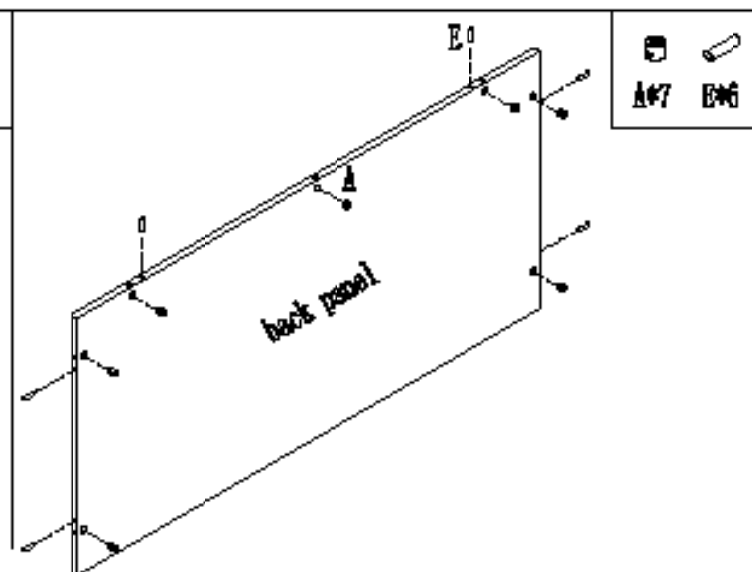
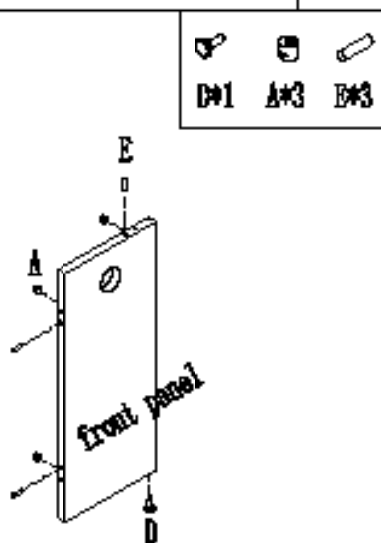
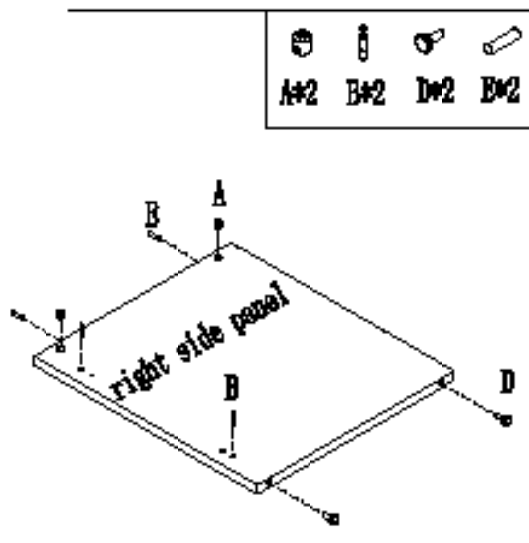
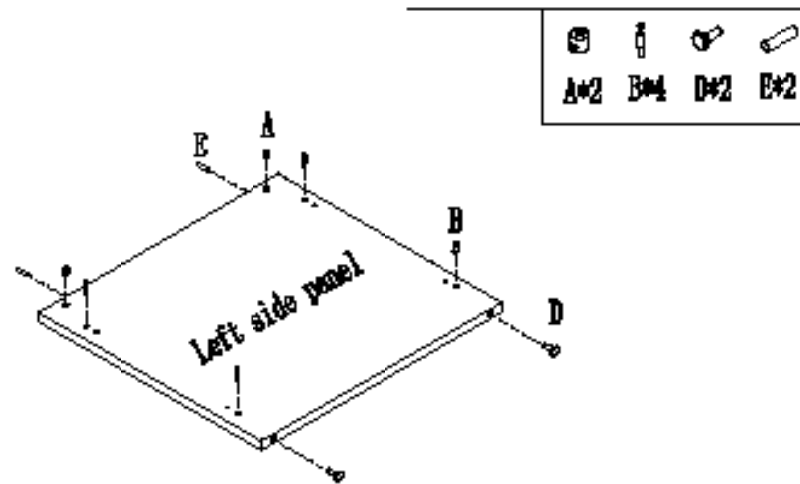
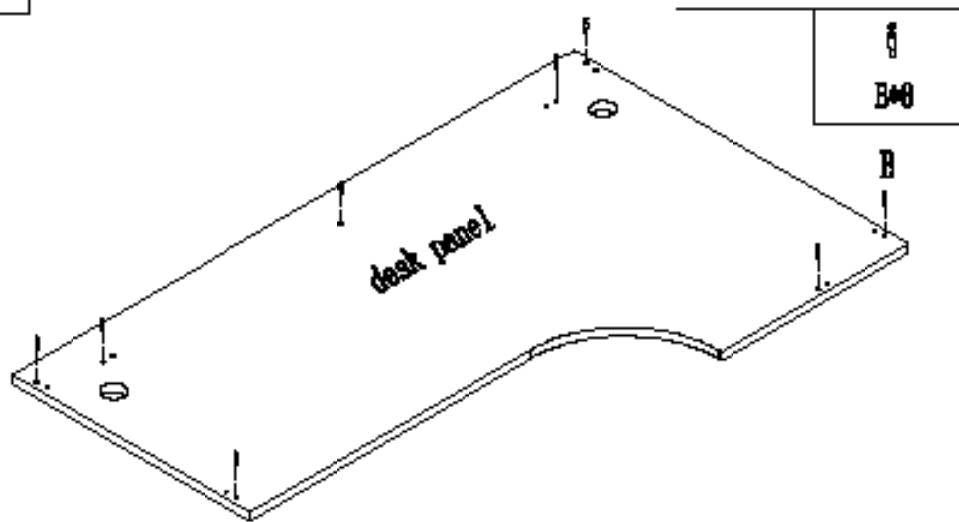
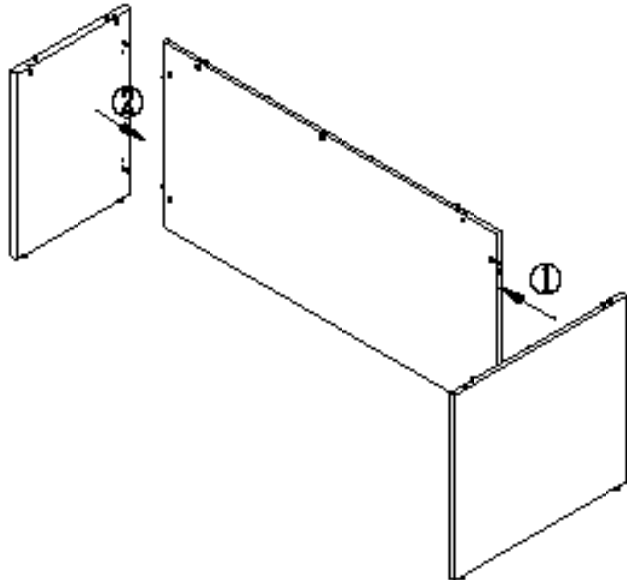


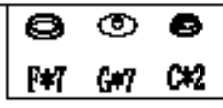
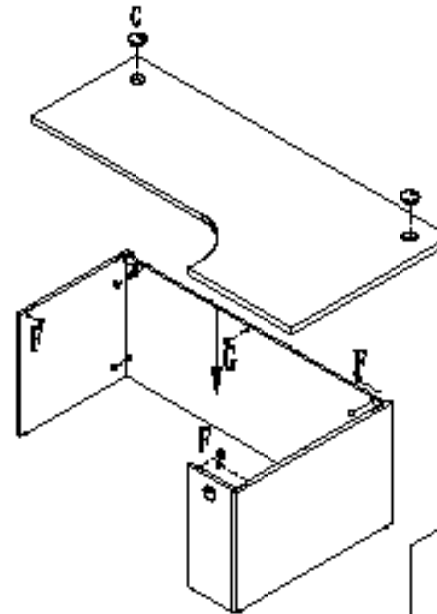
1



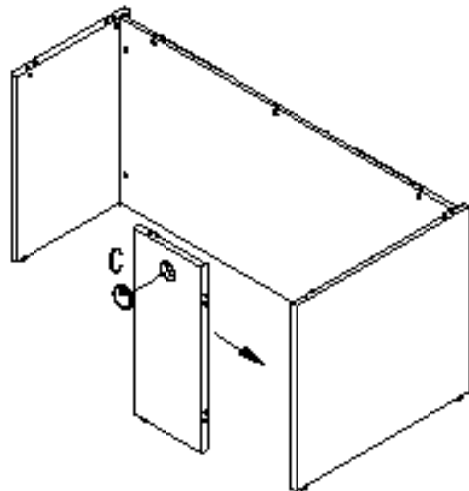
2



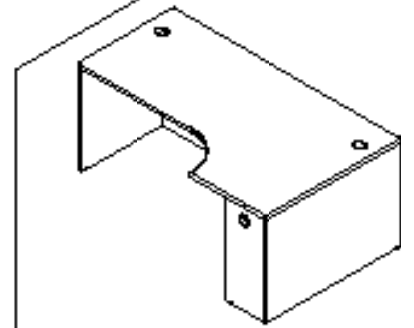
4



3



appearance



Hardware

NO.	sample pic	name	QTY
A		Cam	14
B		Connector	14
C		Cam	8
D		Cam	6
E		Cam	13
F		Cam 134 (deep)	7
G		Cam 134 (shallow)	7