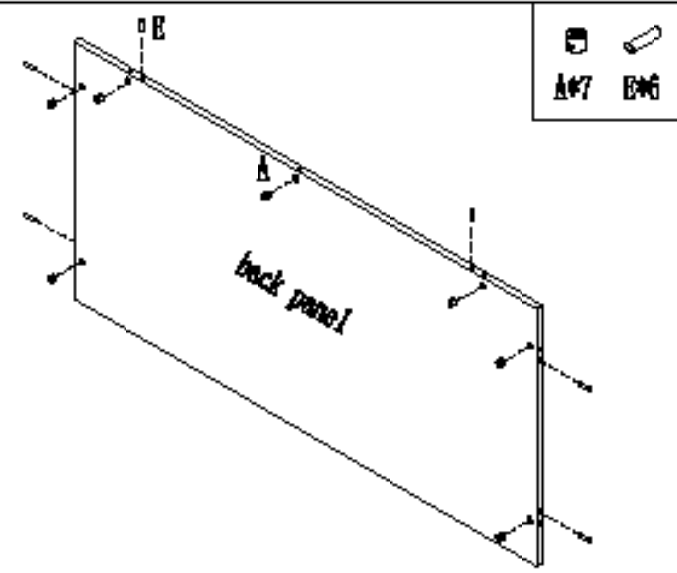
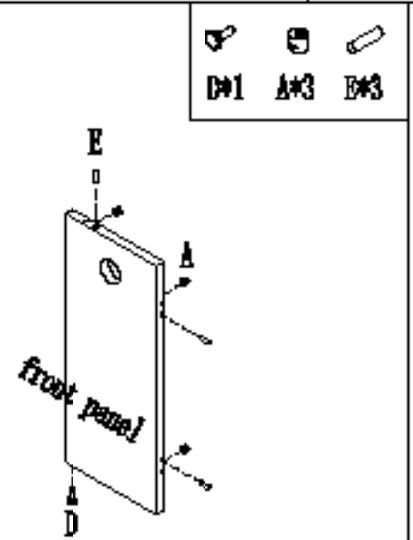
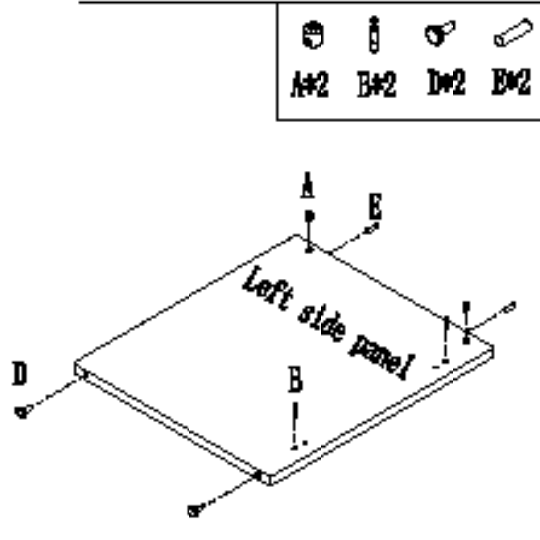
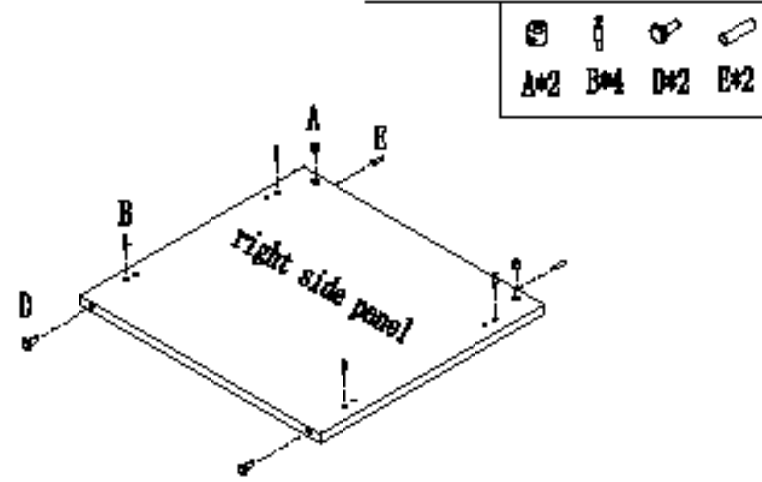
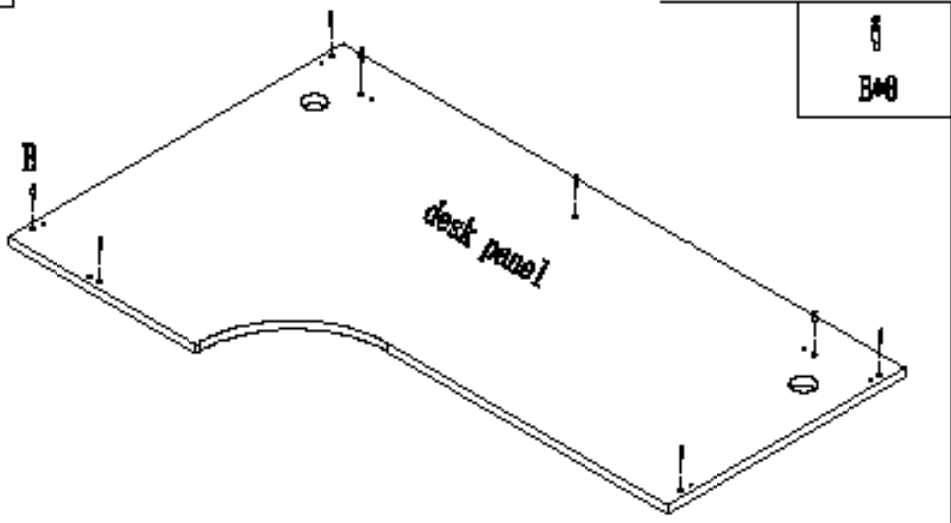
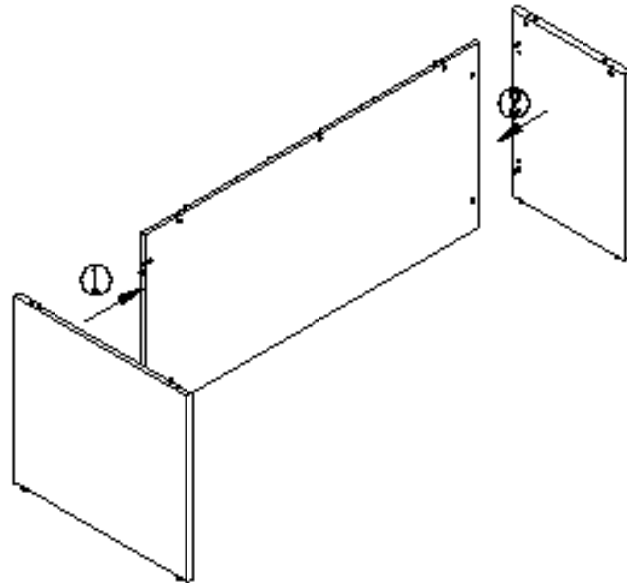


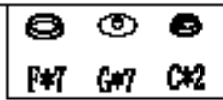
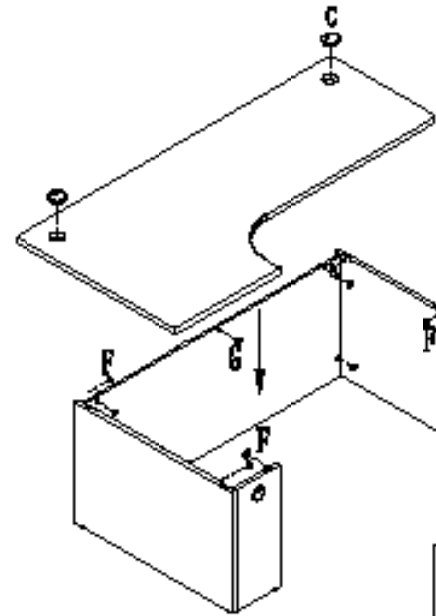
1



2

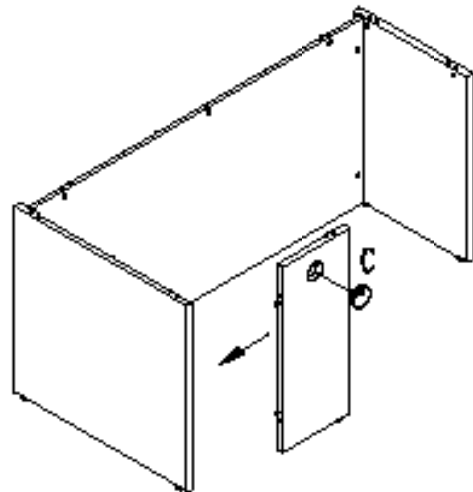


4



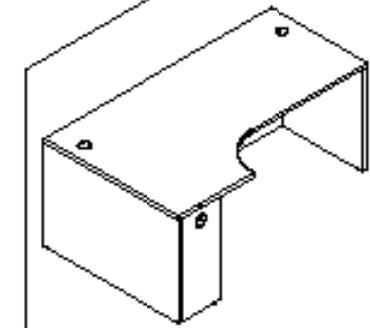
F#7 G#7 C#2

3



B#1  
C#1

appearance



Hardware

NO.	sample pic	name	QTY
A		Cam	14
B		Connector	14
C		Bracket	3
D		Chisel	5
E		Level	13
F		Cam 134(Sharp)	7
G		Cam 134(Cross)	7