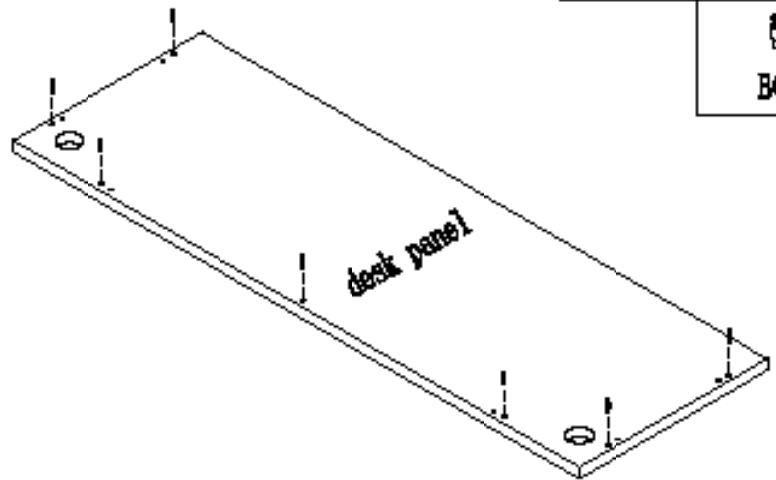

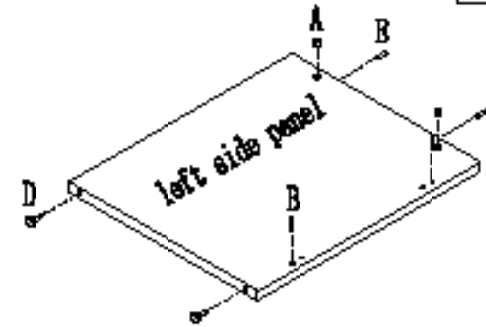



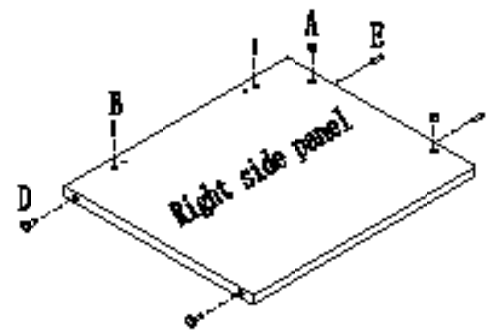
1







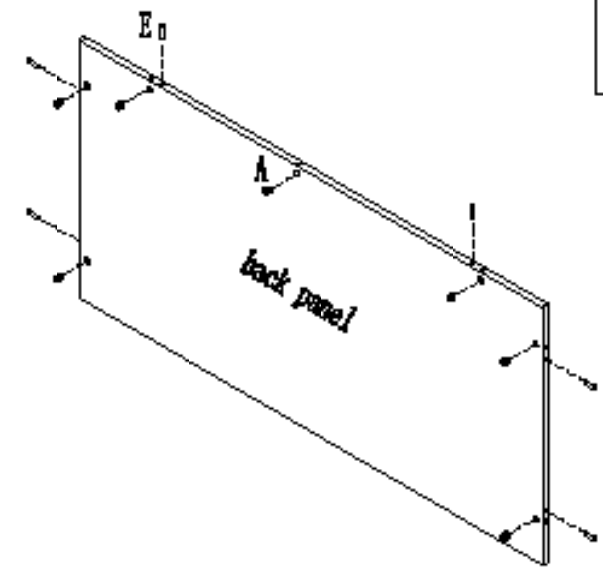

B*7



   
A*2 B*2 D*2 E*2

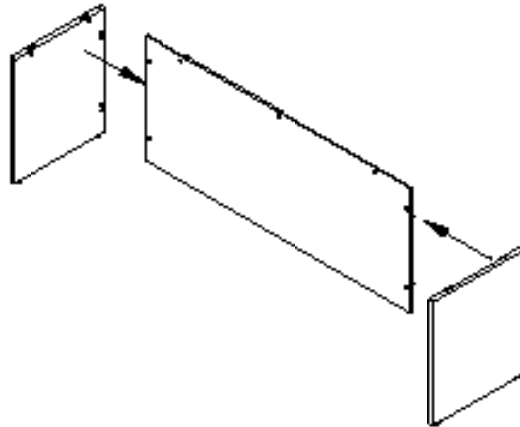


   
A*2 B*2 D*2 E*2

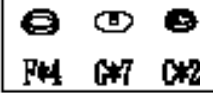
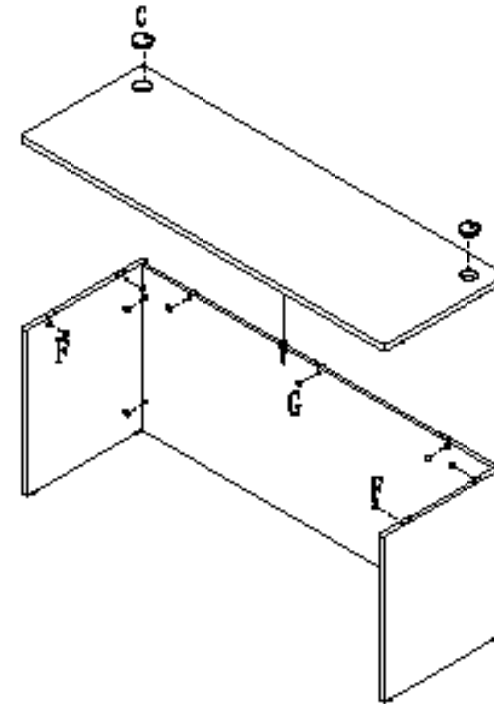


 
A*7 E*6

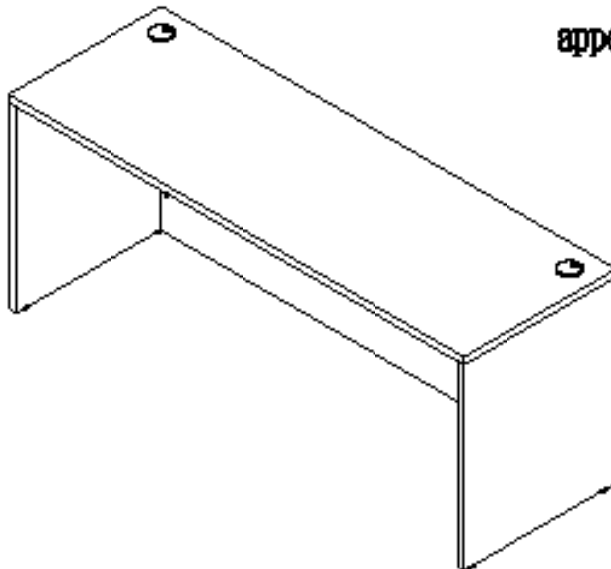
2



3



appearance



Hardware

NO.	sample pic	name	QTY
A		Cam	11
B		Connector	11
C		Connector	2
D		Slider	4
E		Insert	10
F		Cam Hid(High)	4
G		Cam Hid(Low)	7