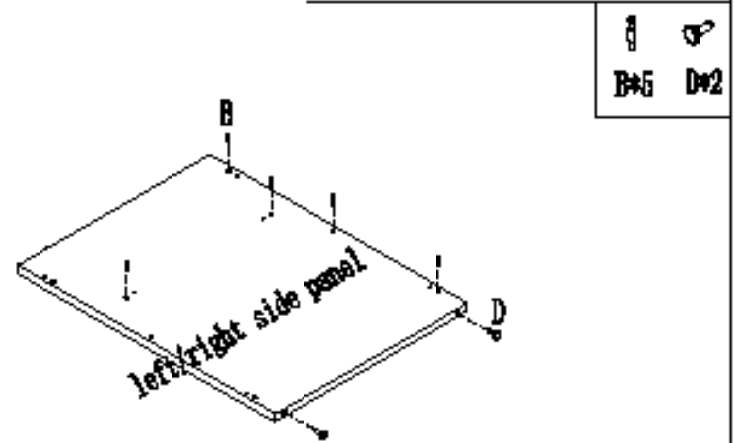
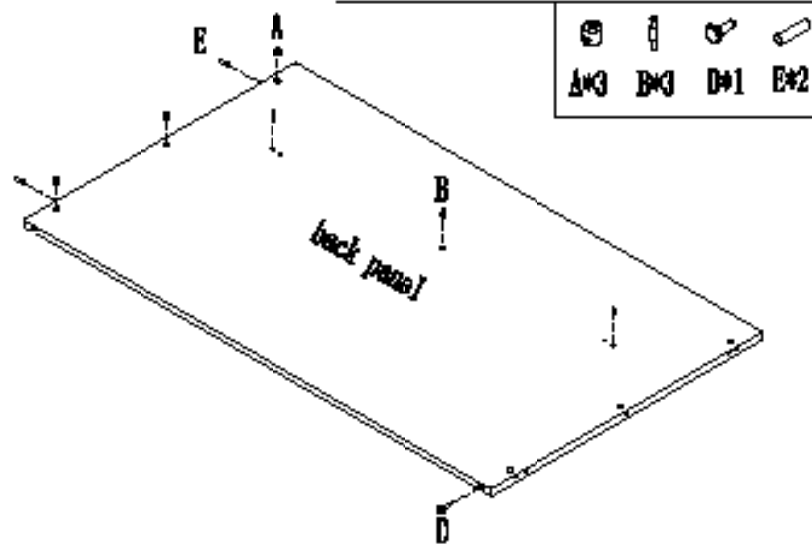
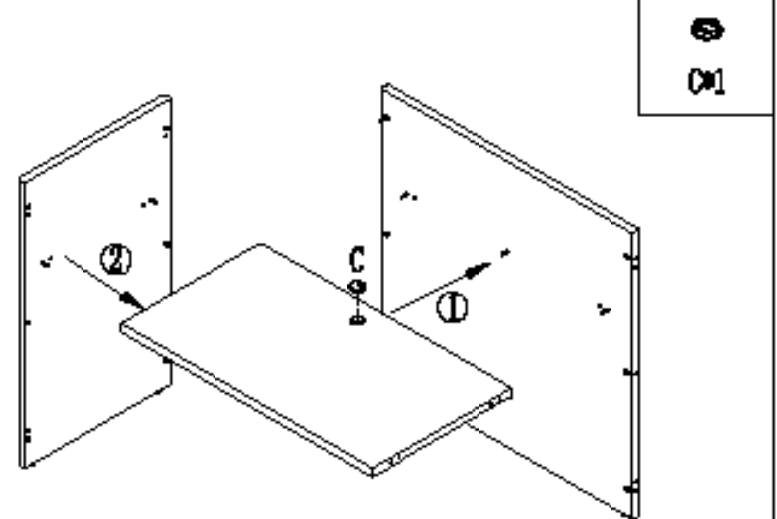
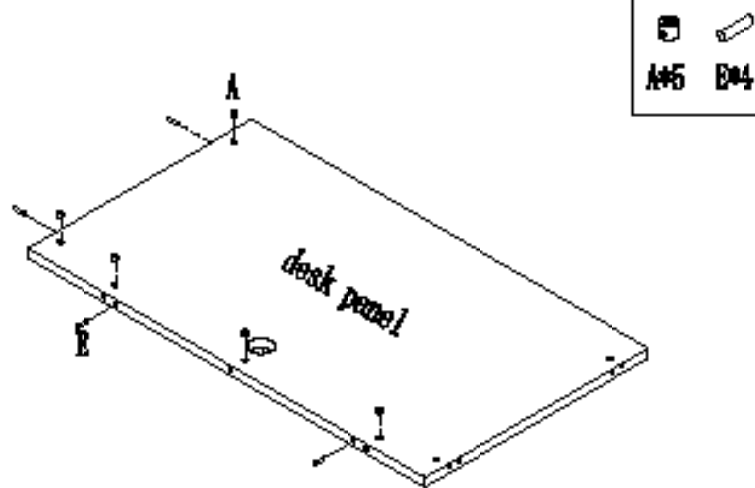


1

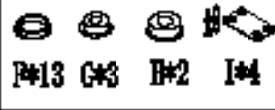
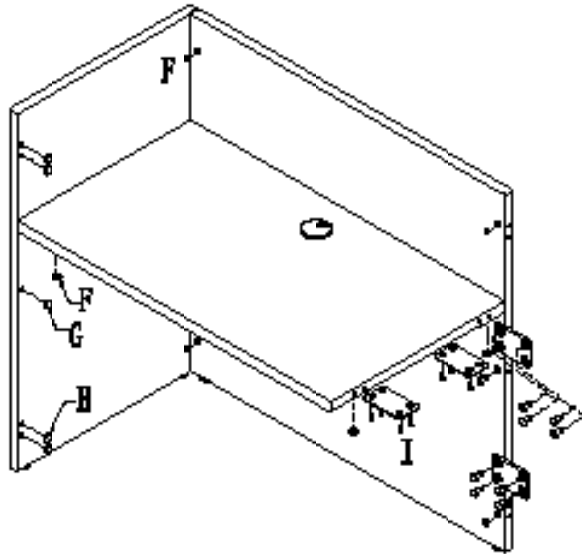


2

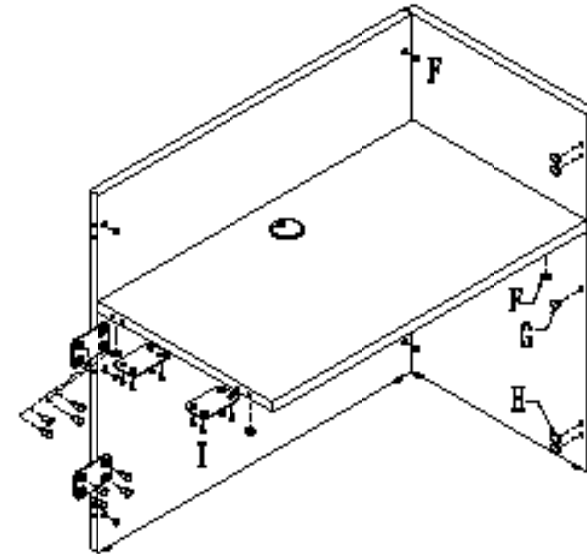


Installation/CAM-2216.N Friant Wood CO.,LTD.

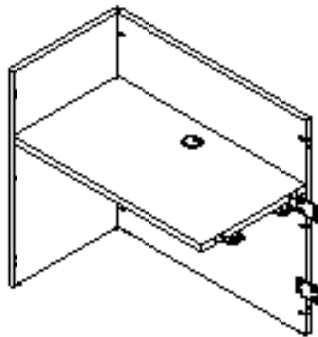
left



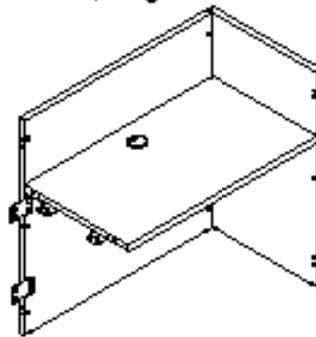
right



appearance/left



appearance/right



Hardware

NO.	image pic	name	QTY.
A		Cam	8
B		Connector	8
C		Bracket	1
D		Glide	3
E		Dowel	6
F		Cam lid(2pc)	12
G		Plug hole lid	3
H		Dowel hole lid	2
I		Welding plate	4