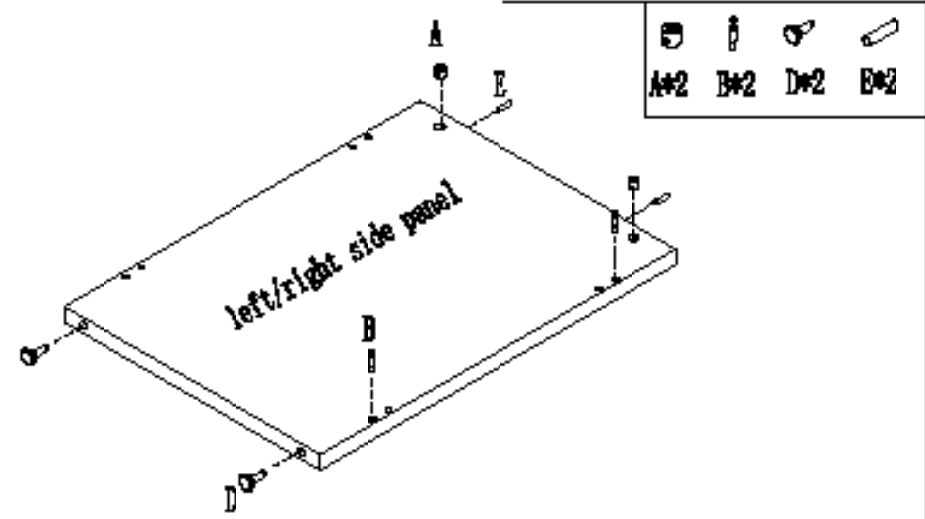
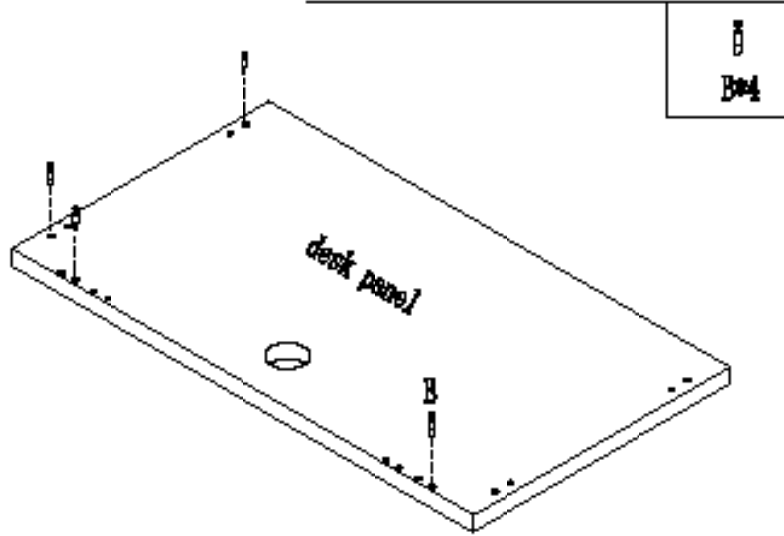
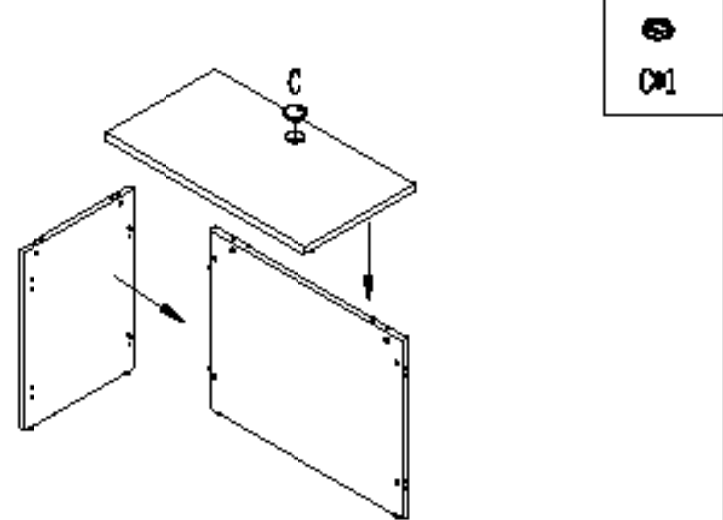
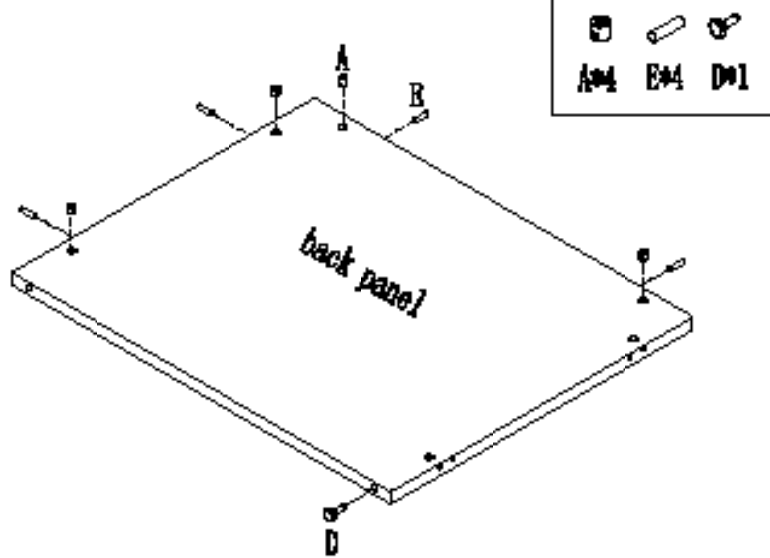


1

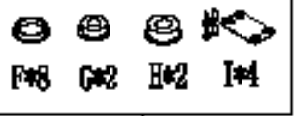
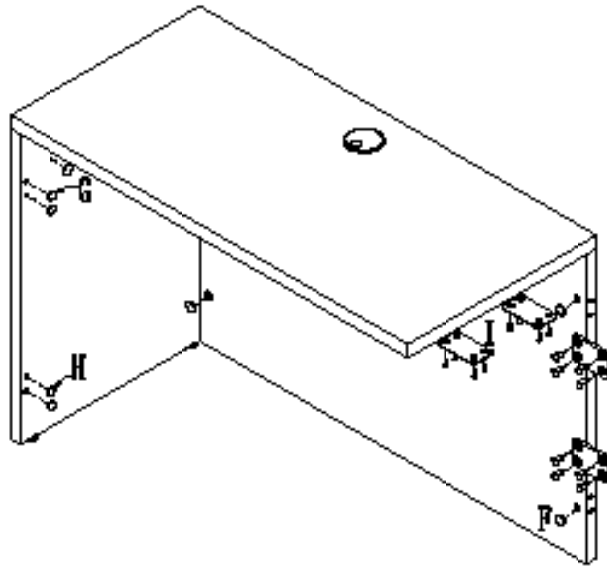


2

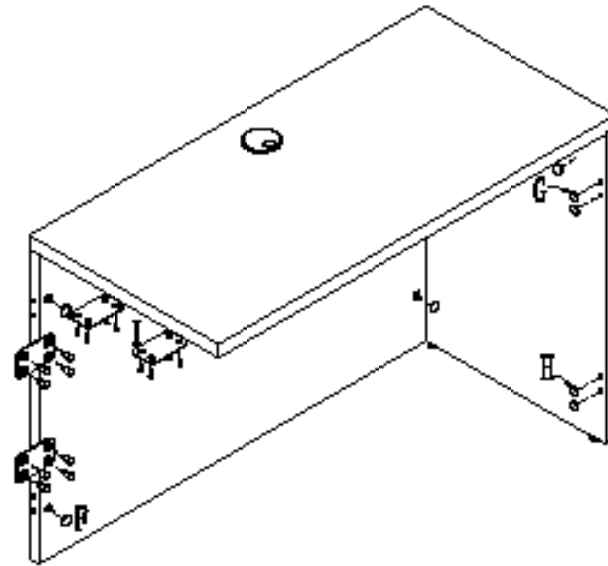


3

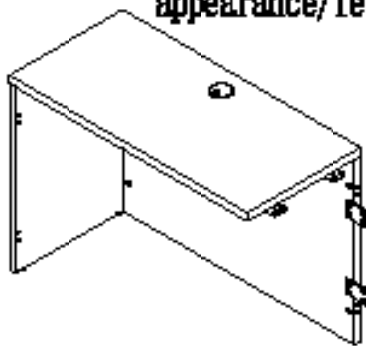
left



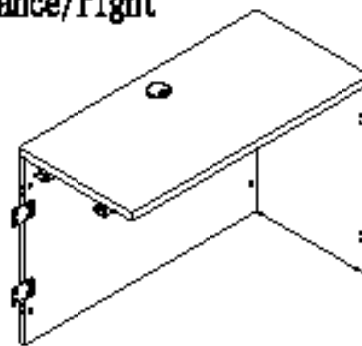
right



appearance/left



appearance/right



Hardware

NO.	image pic	name	QTY.
A		Cam	8
B		Connector	8
C		Glides	1
D		Glides	3
E		Dowel	4
F		Cam Lid(2pcs)	8
G		Ping ball lid	2
H		Dowel hole lid	3
I		Welding plate	4