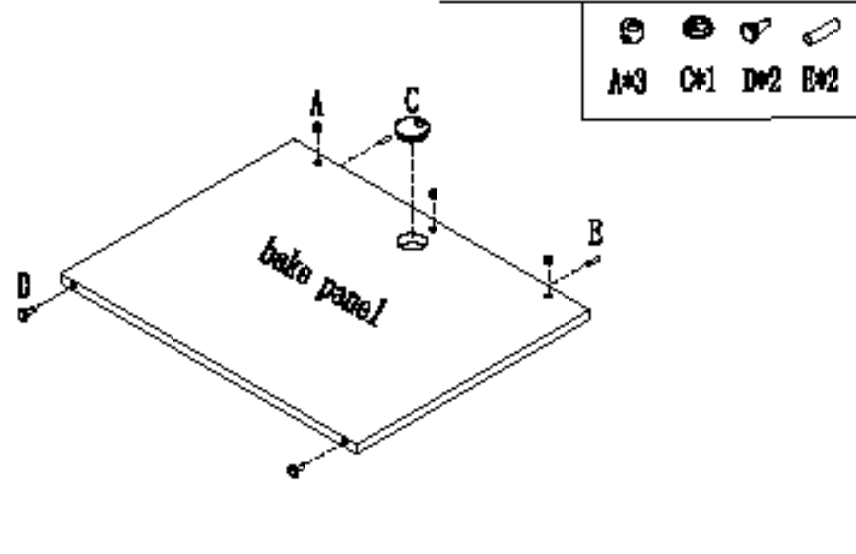
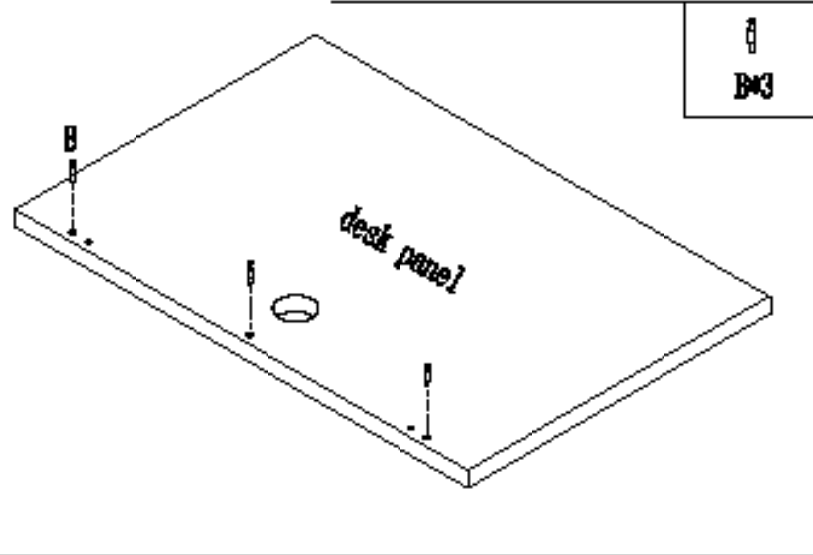
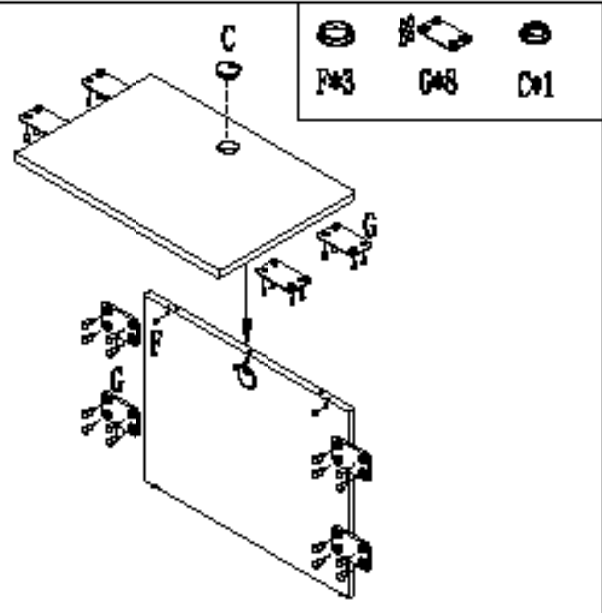


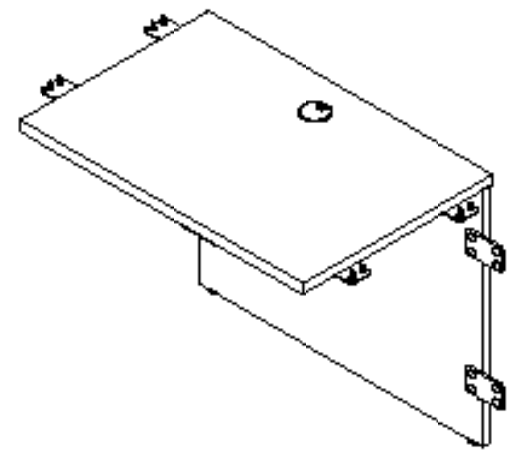
1



2



appearance



Hardware			
NO.	sample pic	name	QTY
A		Cap	3
B		Connector	3
C		Nut	3
D		Screw	2
E		Bracket	2
F		Screw	3
G		Bracket	3