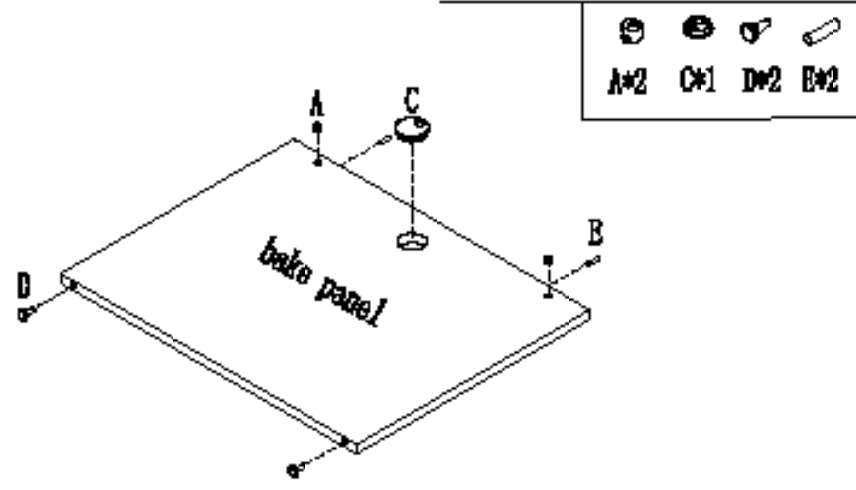
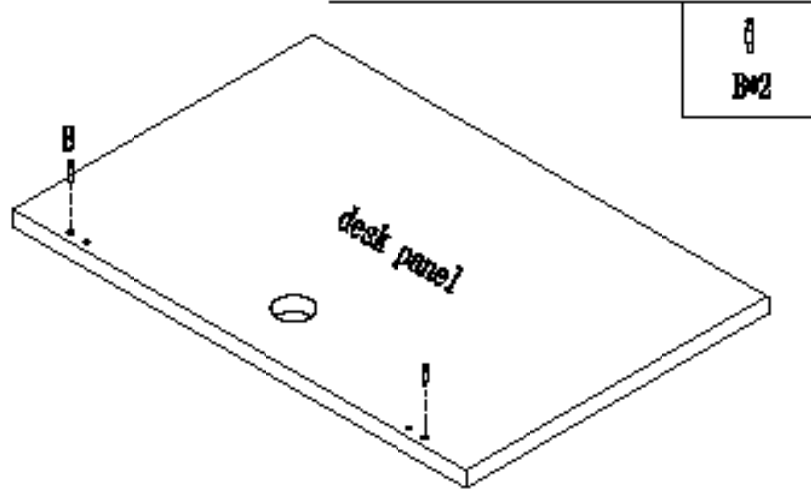
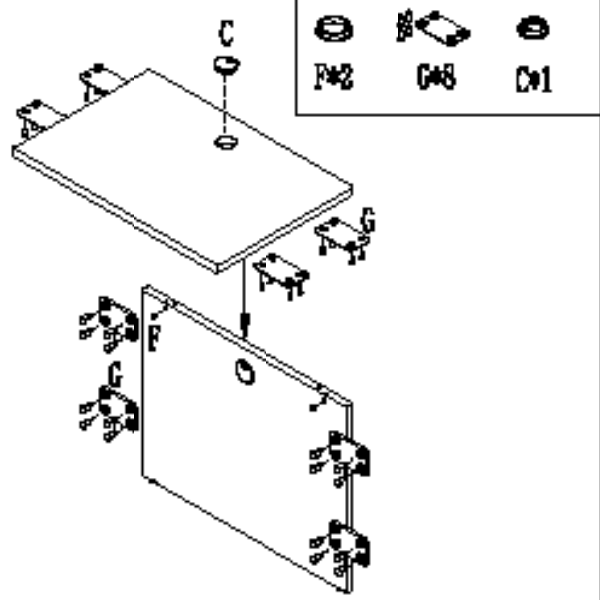


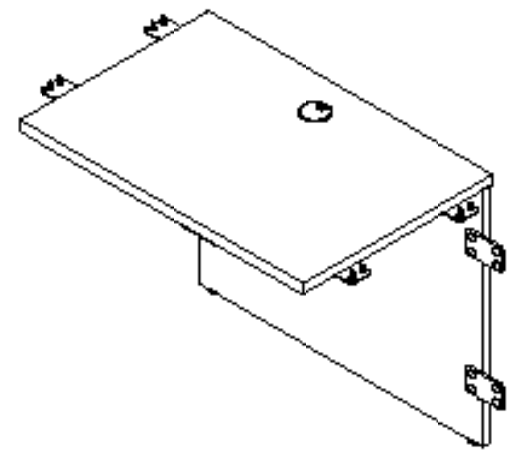
1



2



appearance



Hardware			
NO.	sample pic	name	QTY
A		Cam	2
B		Connector	2
C		Grusnut	1
D		Slider	2
E		Isral	2
F		Cam lid(4way)	2
G		Handing pultr	4