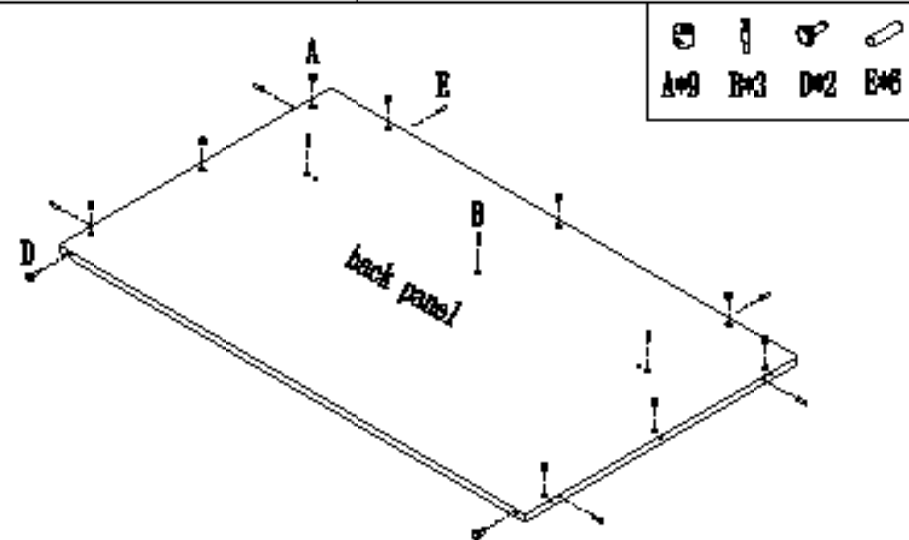
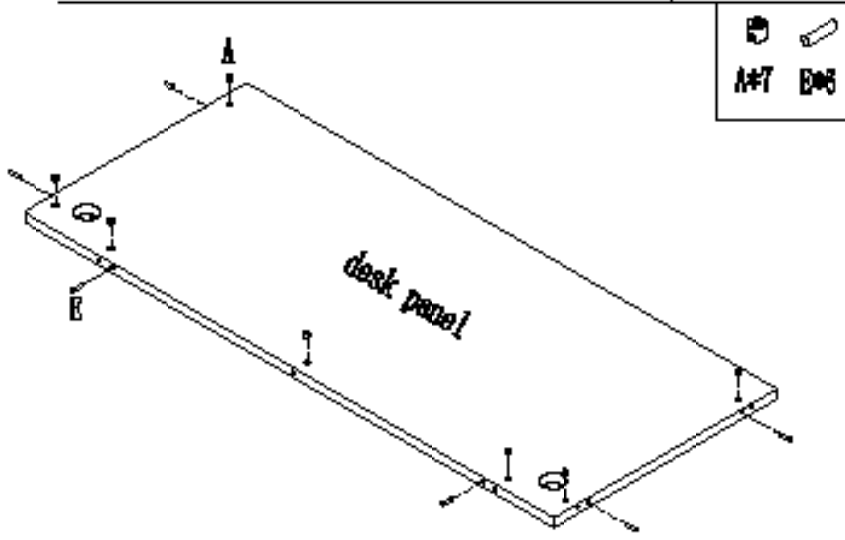
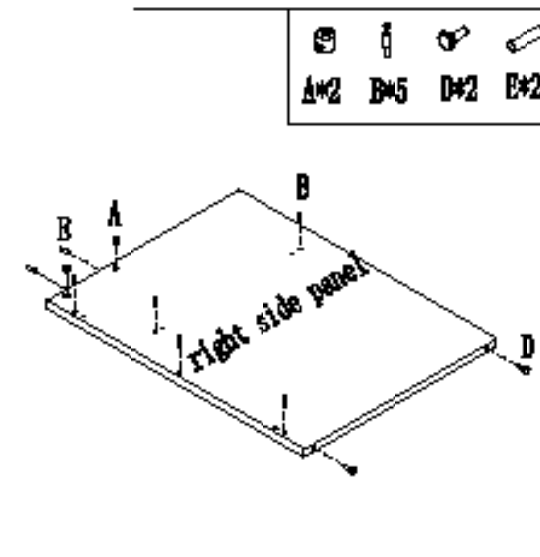
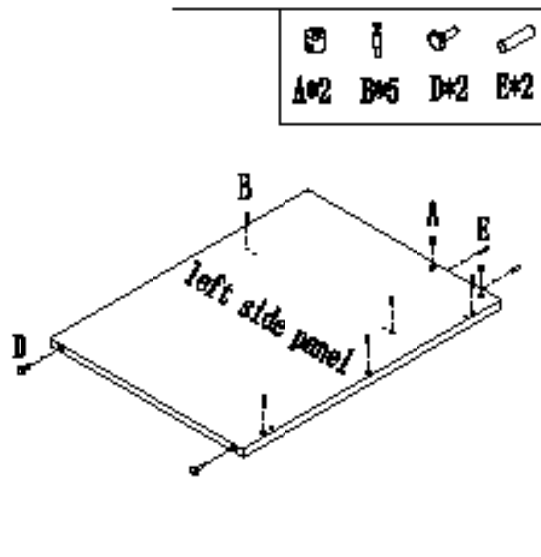
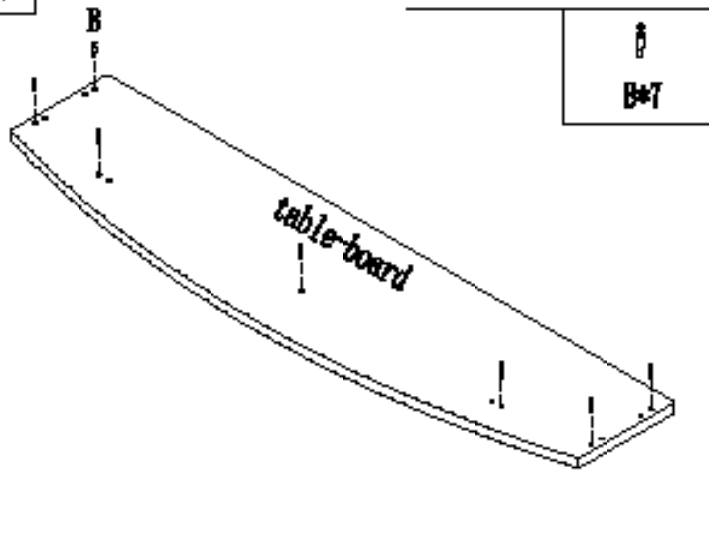
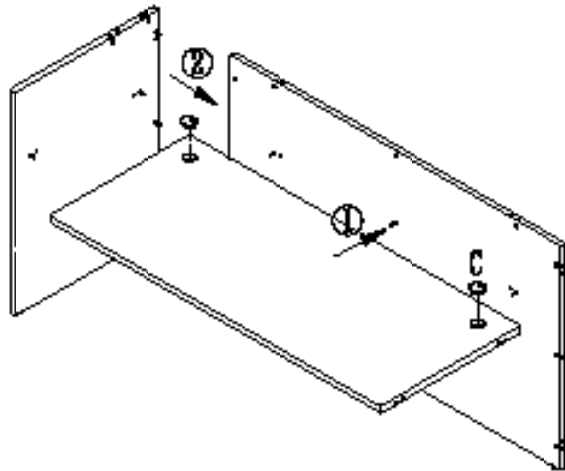


1

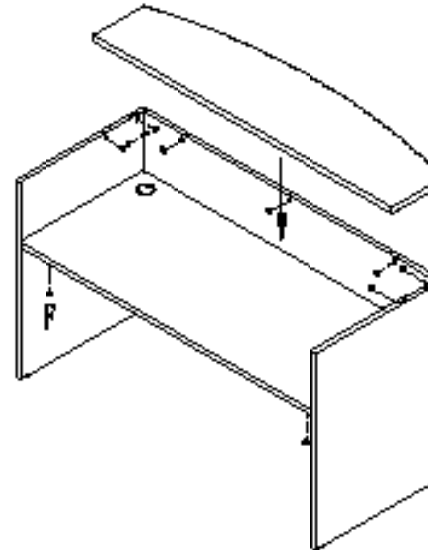


2



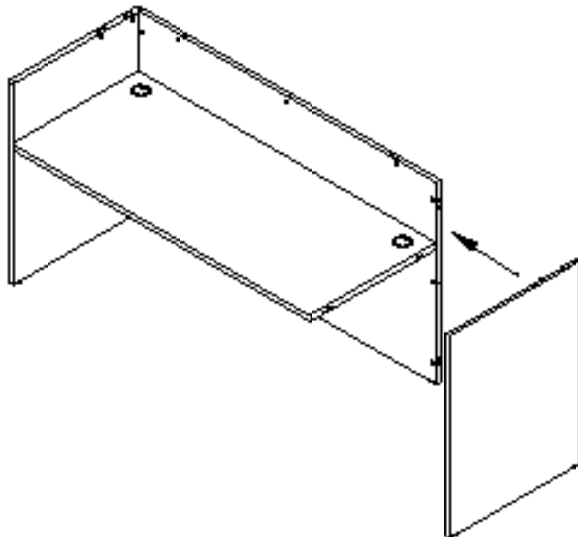
C*2

4

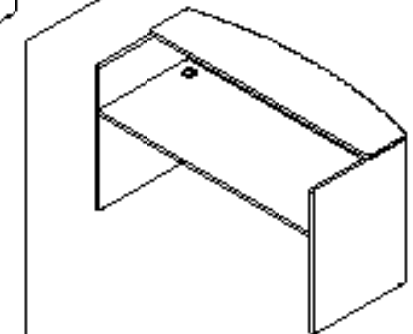


F*20

3



appearance



Hardware

NO.	sample pic	name	QTY
A		Cam	20
B		Connector	20
C		Screw	2
D		Slider	4
E		Nail	16
F		Cam Nut(Nut)	20