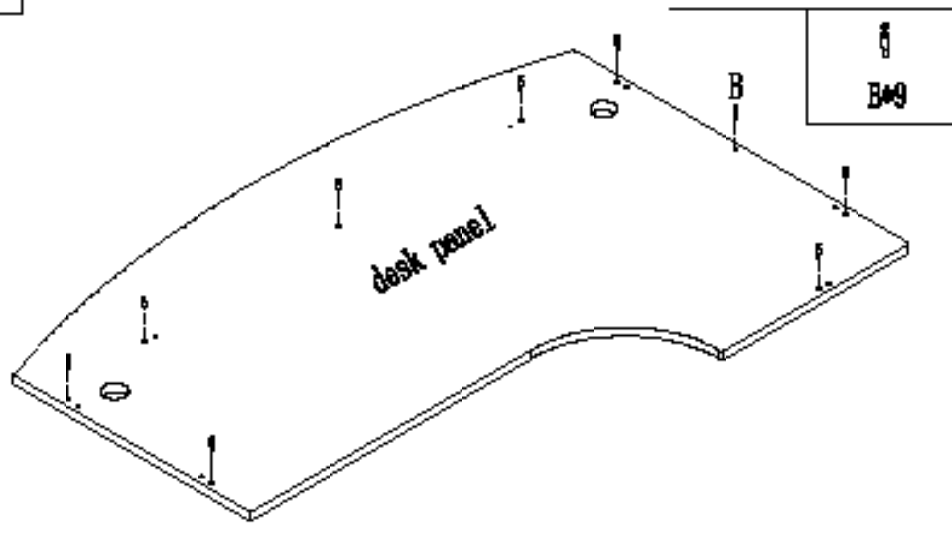
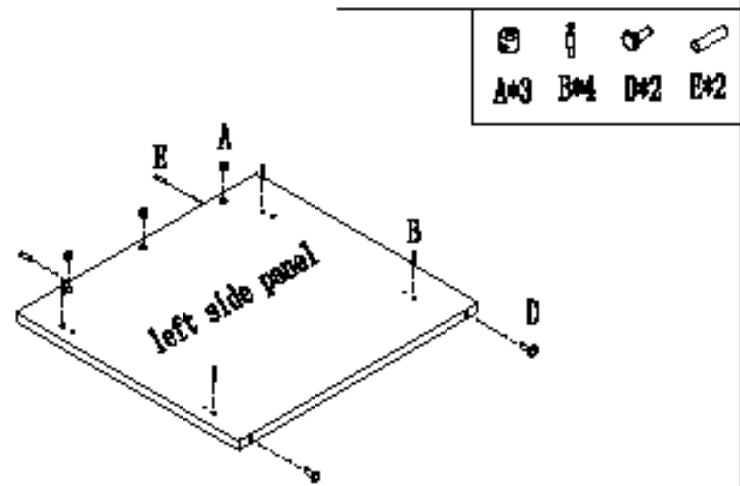


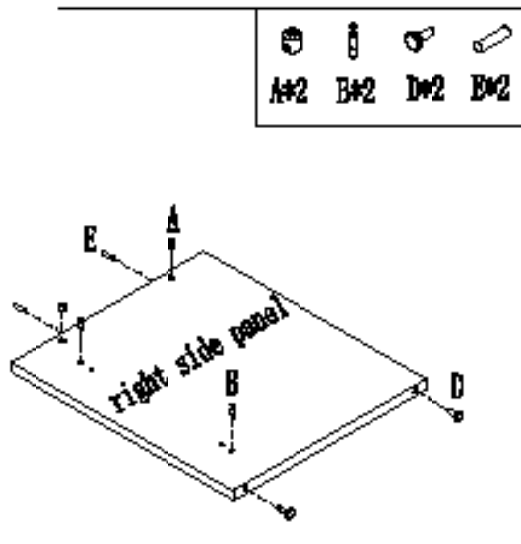
1



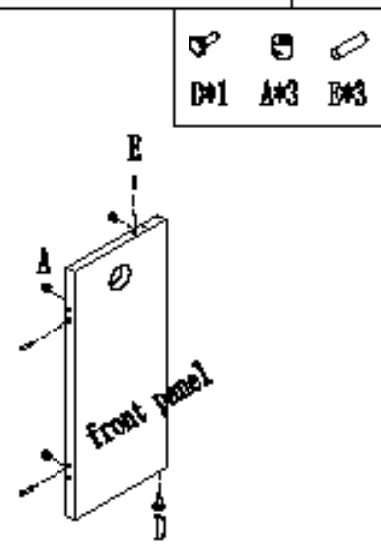
B\*0



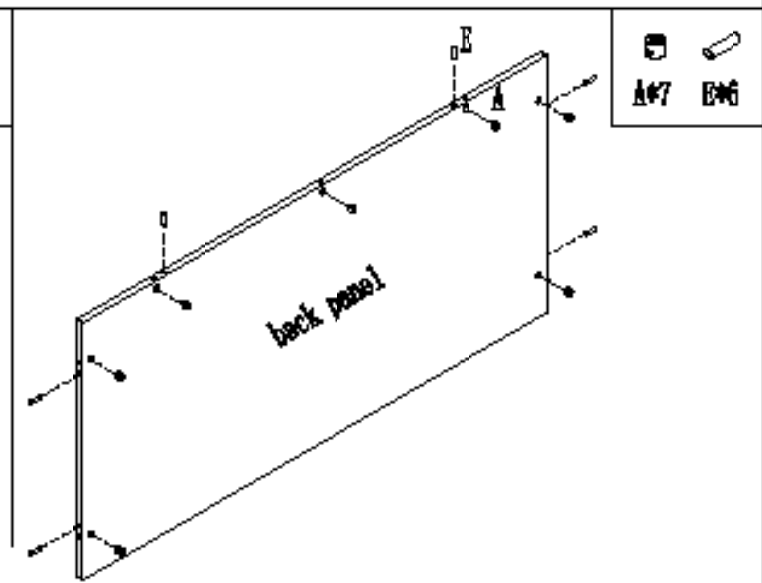
A\*3 B\*4 D\*2 E\*2



A\*2 B\*2 D\*2 E\*2

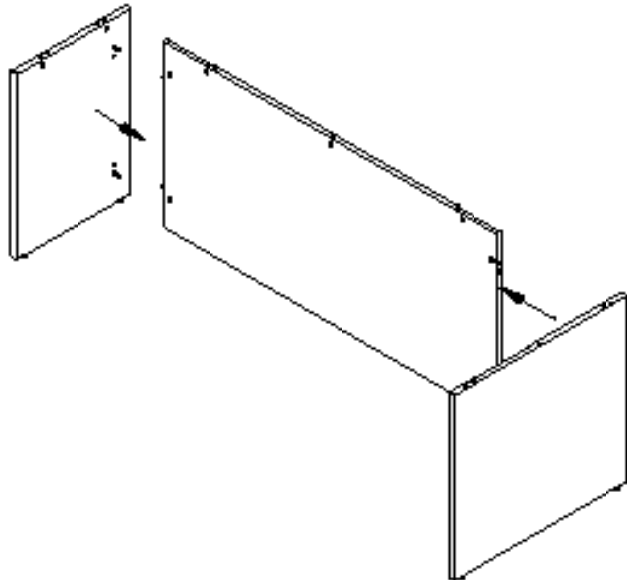


D\*1 A\*3 E\*3

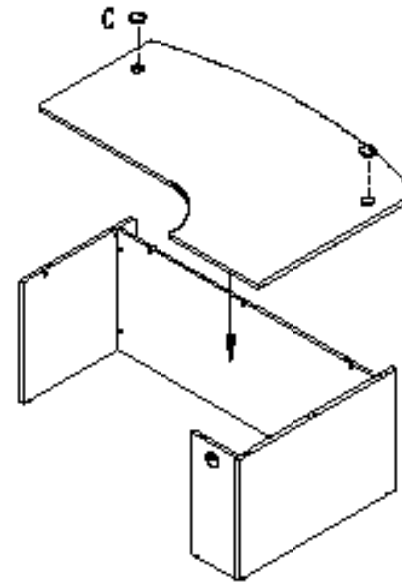


A\*7 E\*6

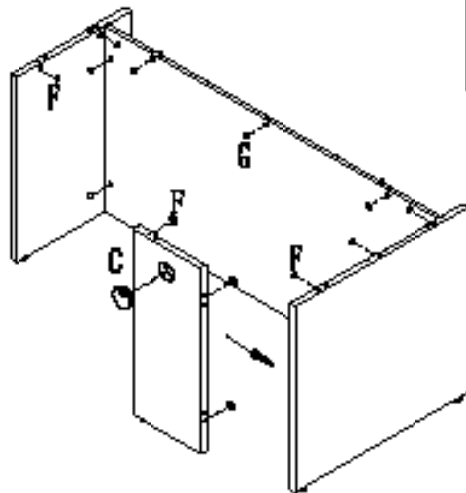
2



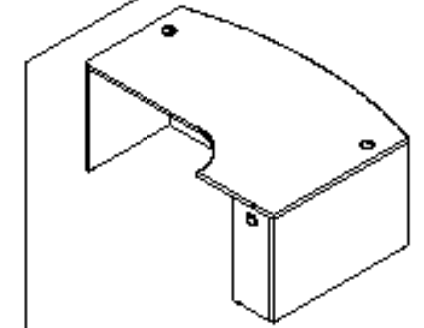
4



3



appearance



Hardware

NO.	sample pic	name	QTY
A		Cam	16
B		Connector	16
C		Bracket	8
D		Chisel	6
E		Level	18
F		Cam Lid (deep)	8
G		Cam Lid (low)	7