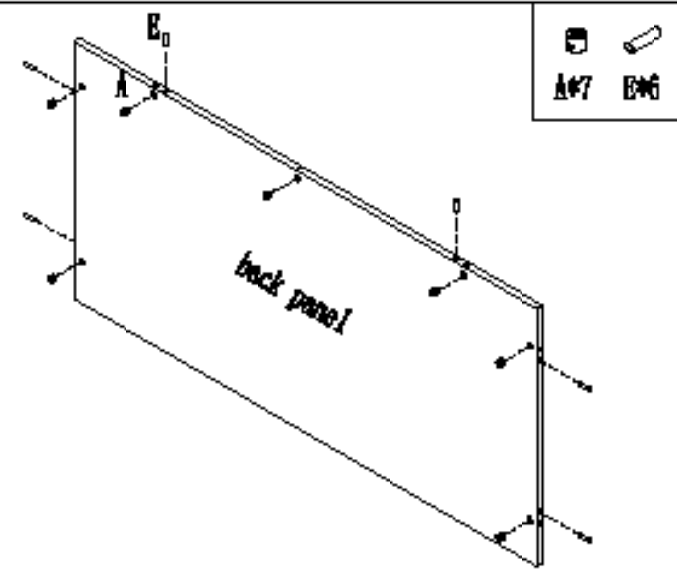
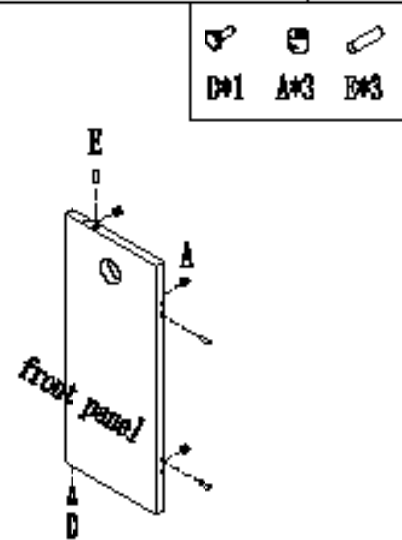
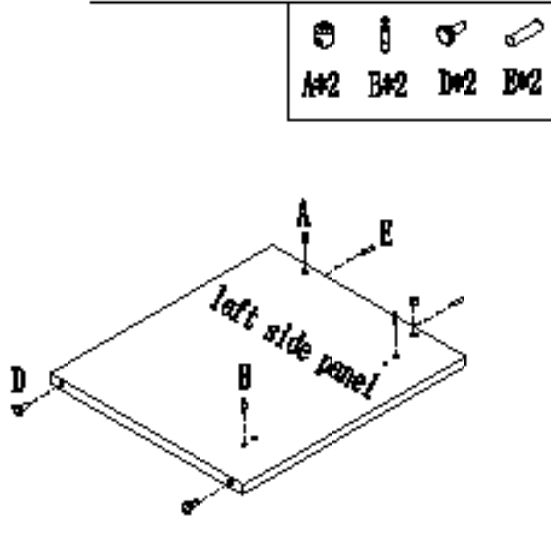
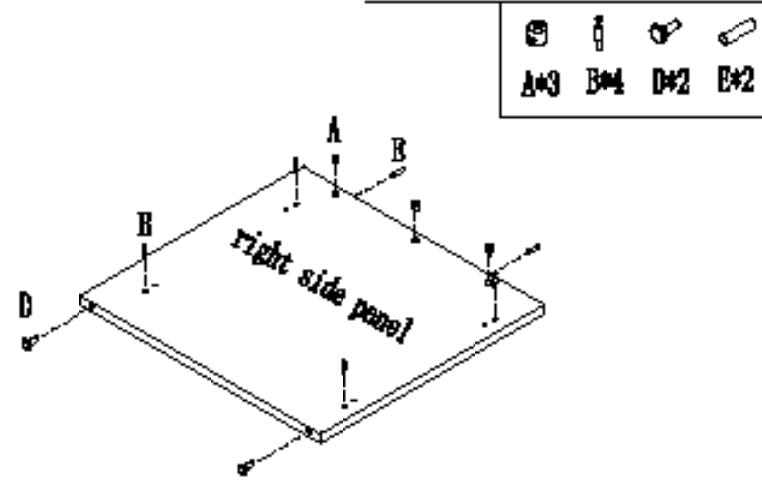
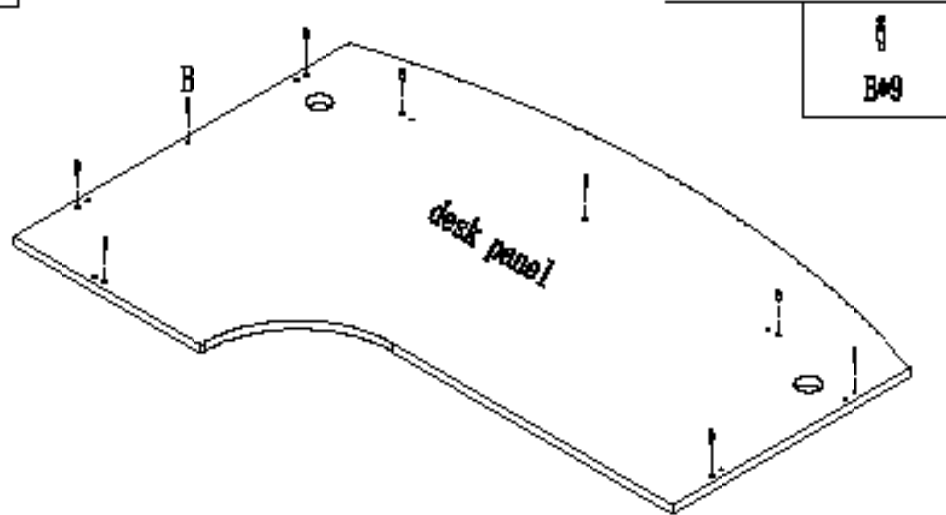
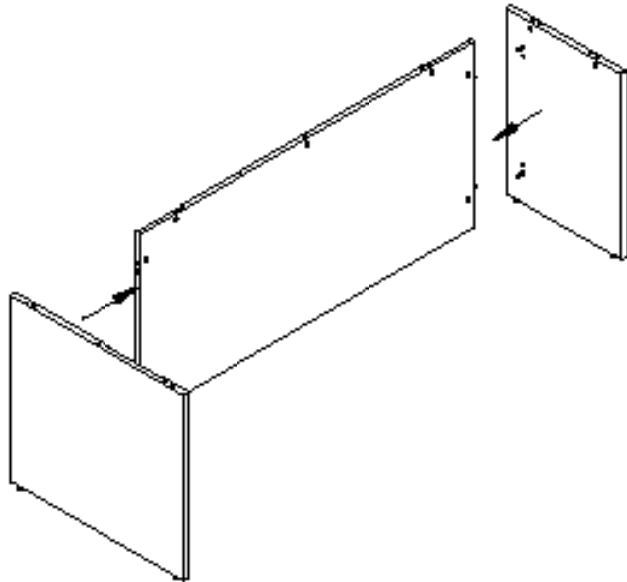


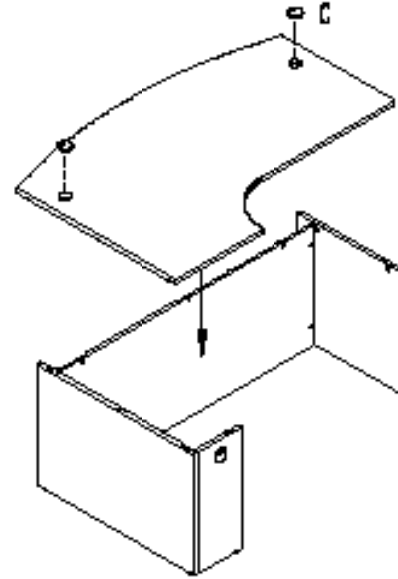
1



2

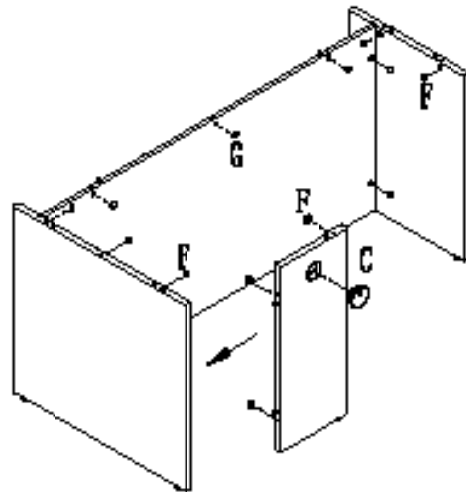


4



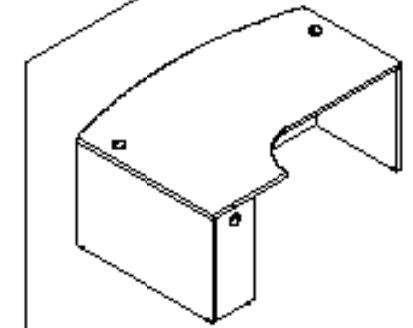
Cx2

3



Fx8 Gx7 Cx1

appearance



Hardware

NO.	sample pic	name	QTY
A		Cam	16
B		Connector	16
C		Bracket	8
D		Slider	6
E		Insert	16
F		Cam Lid (deep)	8
G		Cam Lid (shallow)	7