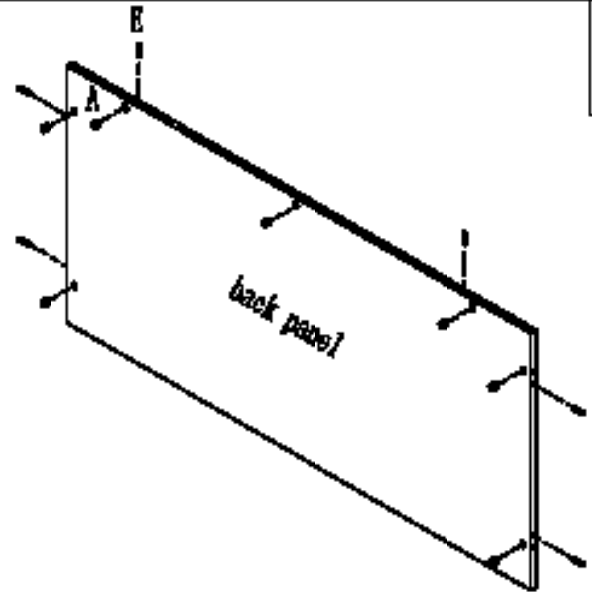
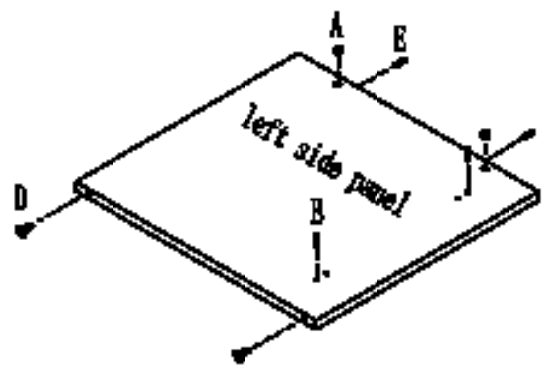
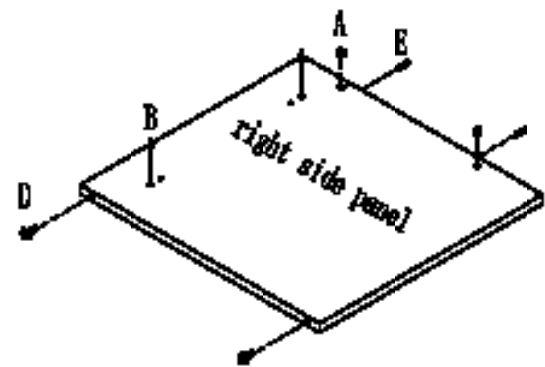
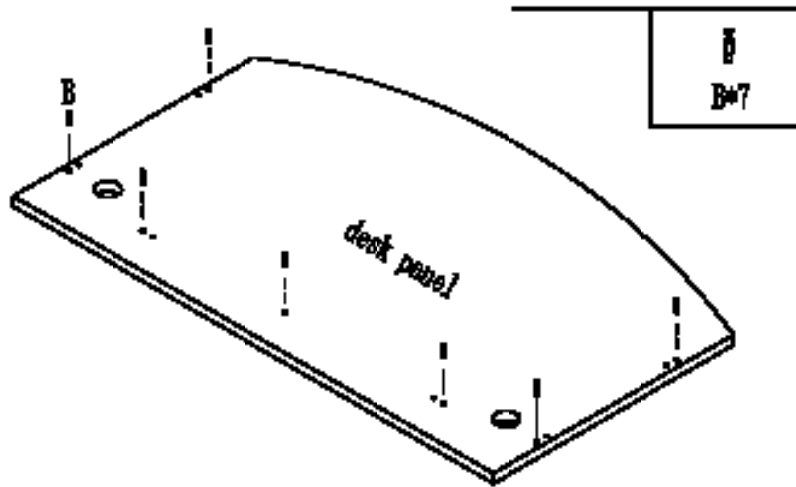
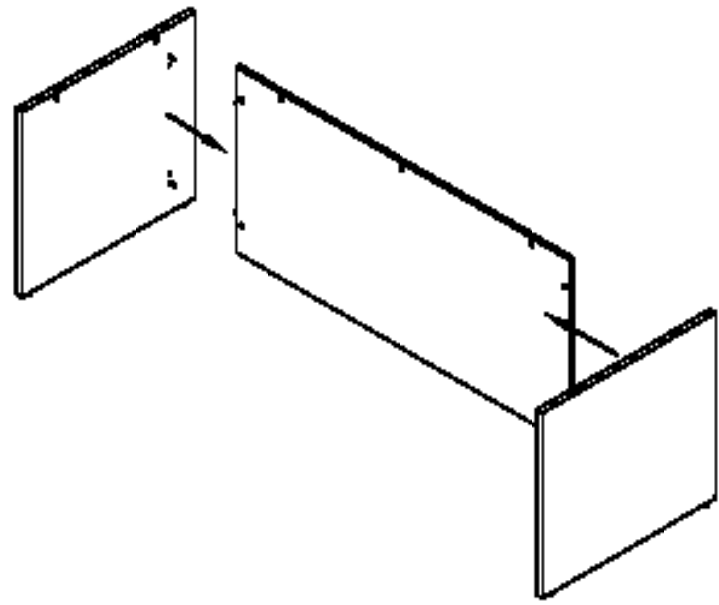


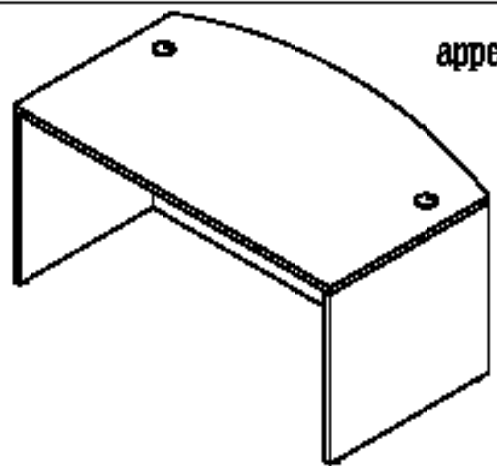
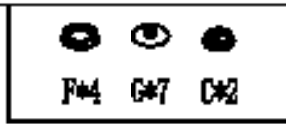
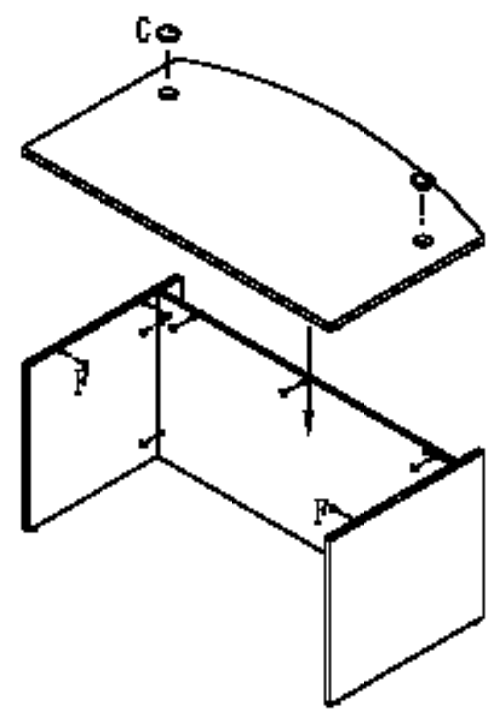
1



2



3



appearance

Hardware

NO.	sample pic	name	QTY
A		Cam	11
B		Connector	11
C		Cam	2
D		Glide	4
E		Dowel	10
F		Cam Lid(down)	4
G		Cam Lid(up)	7