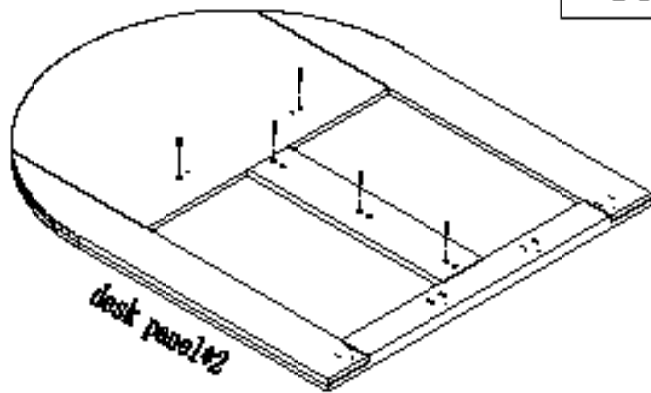
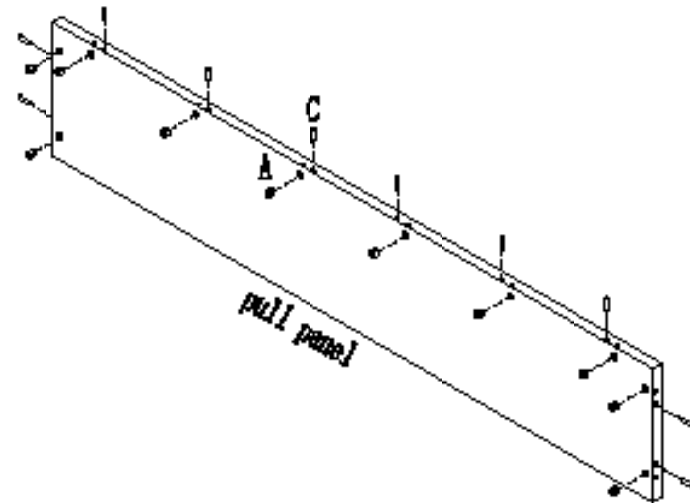




1

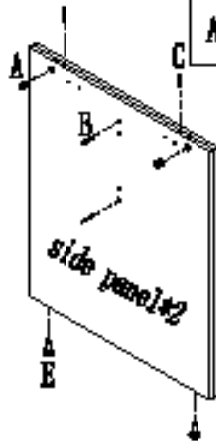




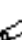

 B\*10

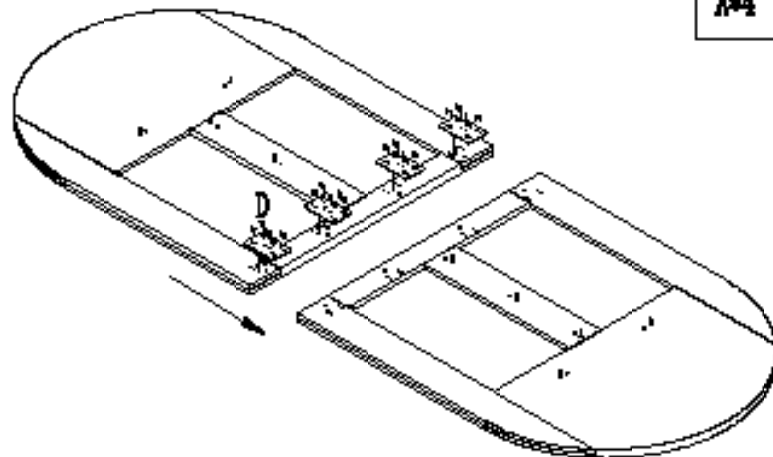


 A\*10  C\*10

2

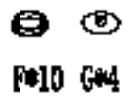
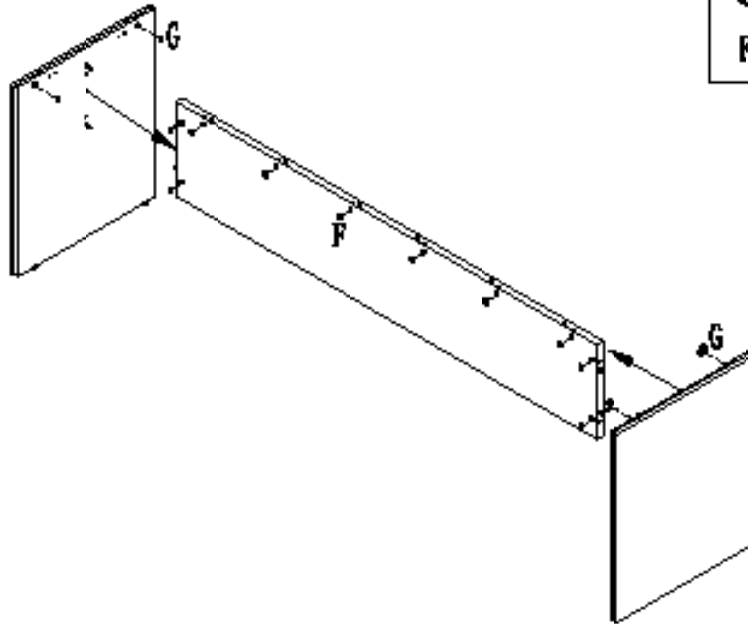


 A\*4  B\*4  C\*4  B\*4

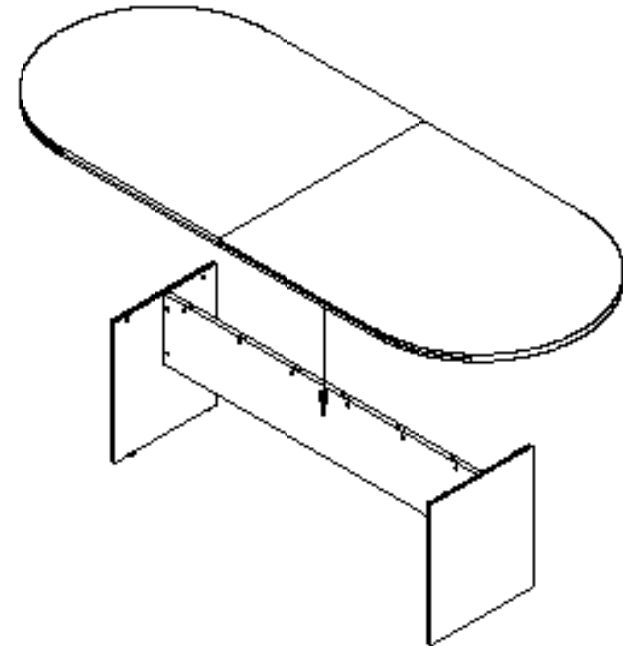


 A\*4  C\*16  D\*4

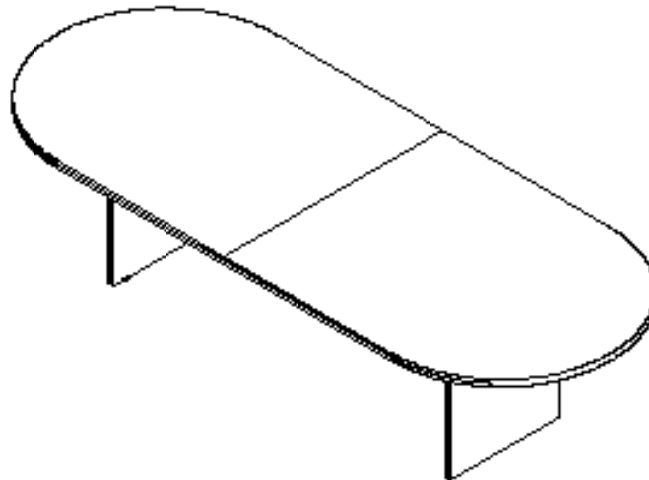
3



4



appearance



Hardware

NO.	sample pic	name	QTY
A		Cam	14
B		Connector	14
C		Screw	14
D		Big nesting plate	4
E		Glider	4
F		Cam 110 (deep)	10
G		Cam 110 (low)	4