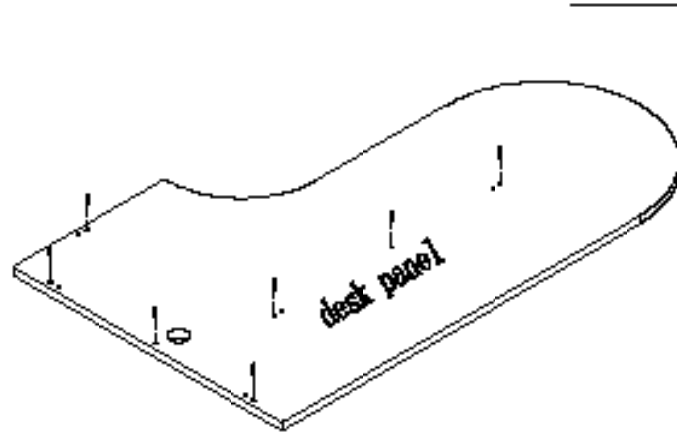
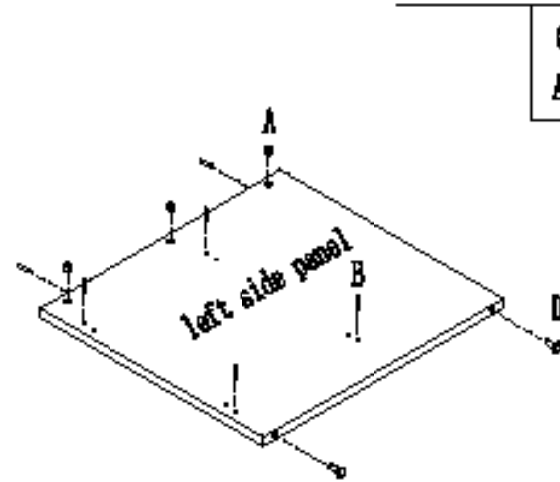


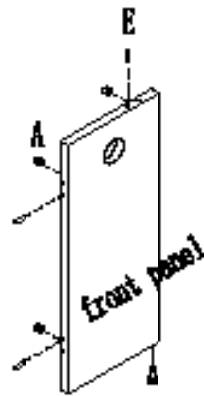
1



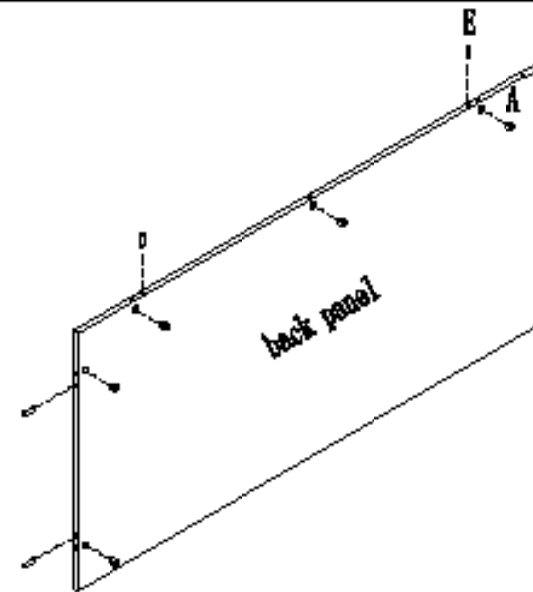
B*7



A*3 B*4 D*2 E*2

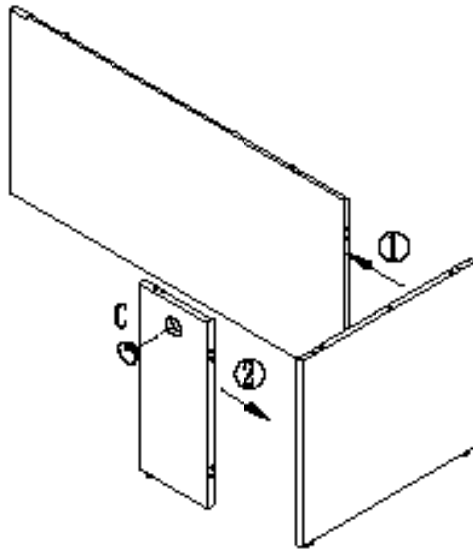


D*1 A*3 B*3



A*6 E*4

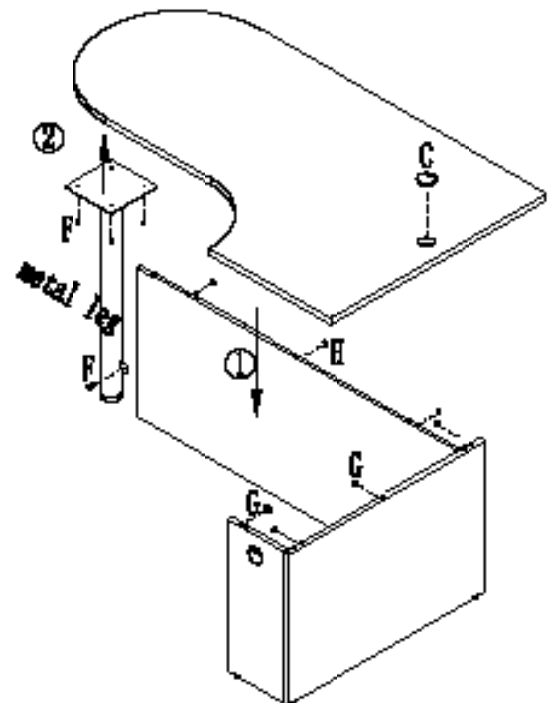
2



3

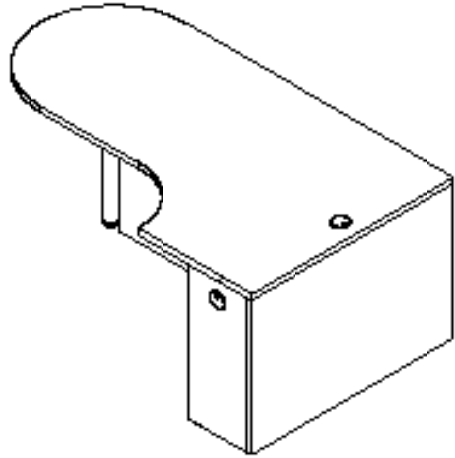
C#1

3



G#6 H#6 F#6 C#1

appearance



Hardware

NO.	single pc	name	QTY
A		Cam	11
B		Connector	11
C		Cam	2
D		Slider	3
H		Dowel	9
F		Screw	5
G		Cam 134 (long)	6
H		Cam 134 (short)	6