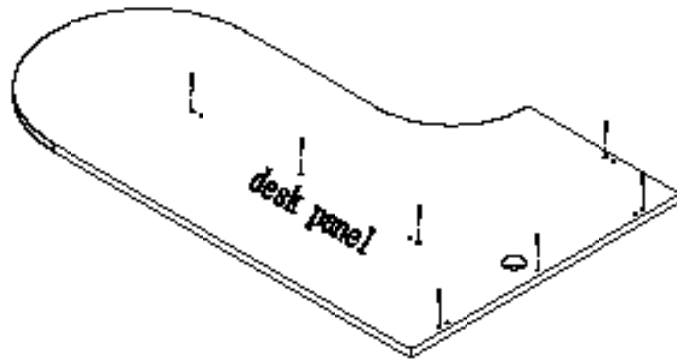
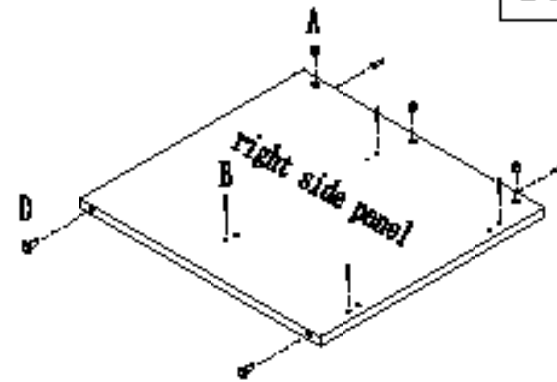


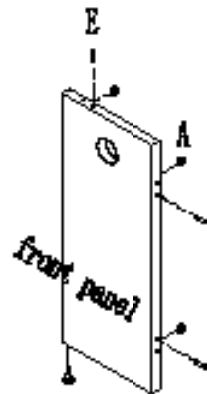
1



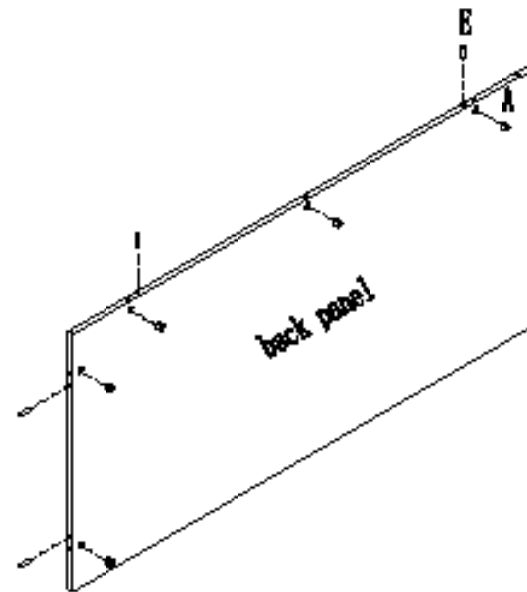
  
B\*7



     
A\*3 B\*4 D\*2 E\*2

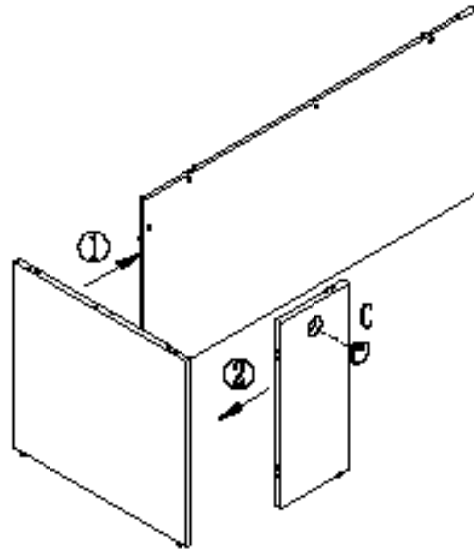


    
D\*1 A\*3 B\*3



   
A\*6 E\*4

2

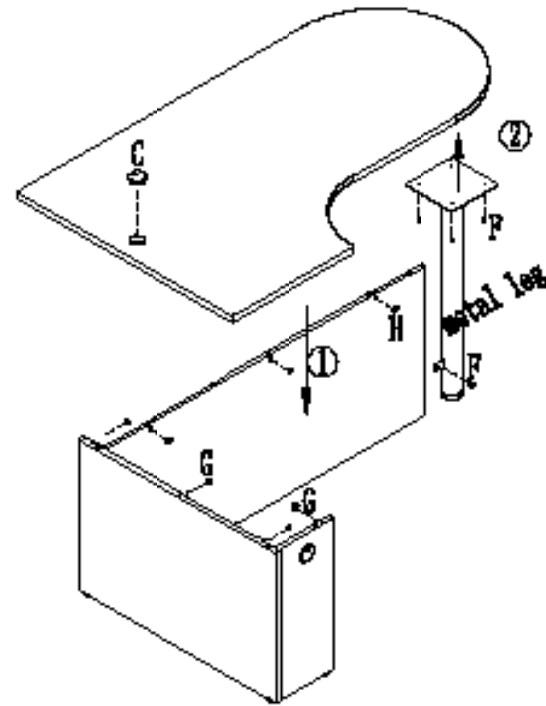


3

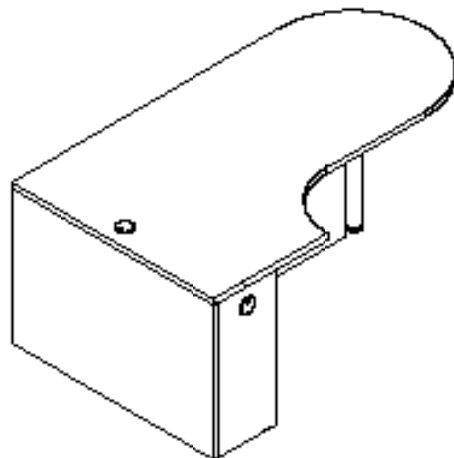
C#1

3

G#6 H#6 F#6 C#1



appearance



Hardware

NO.	single pc	name	QTY
A		Cam	11
B		Connector	11
C		Bracket	2
D		Slider	3
E		Dowel	9
F		Screw	5
G		Cam 134 (long)	6
H		Cam 134 (short)	6