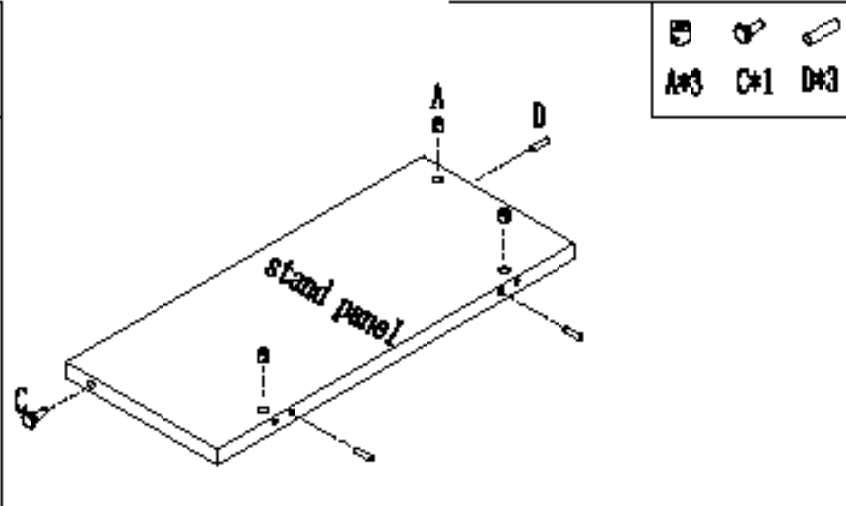
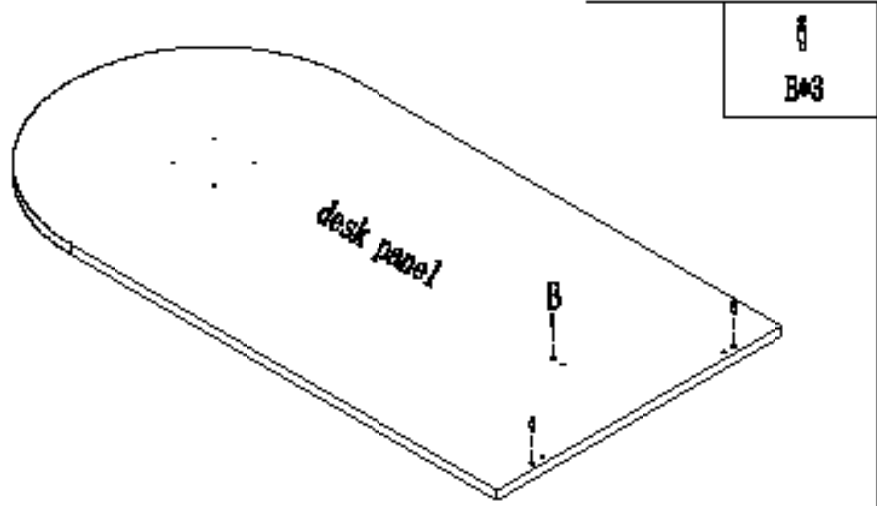
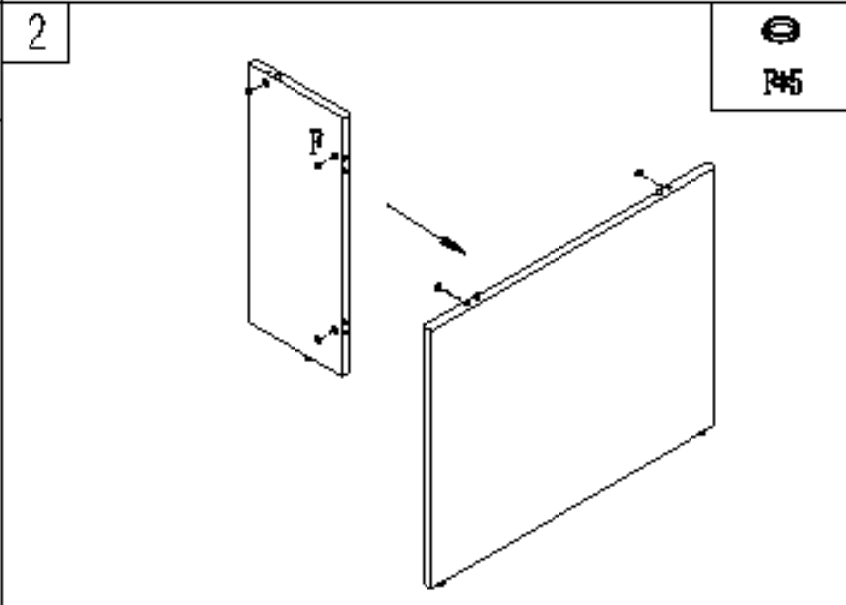
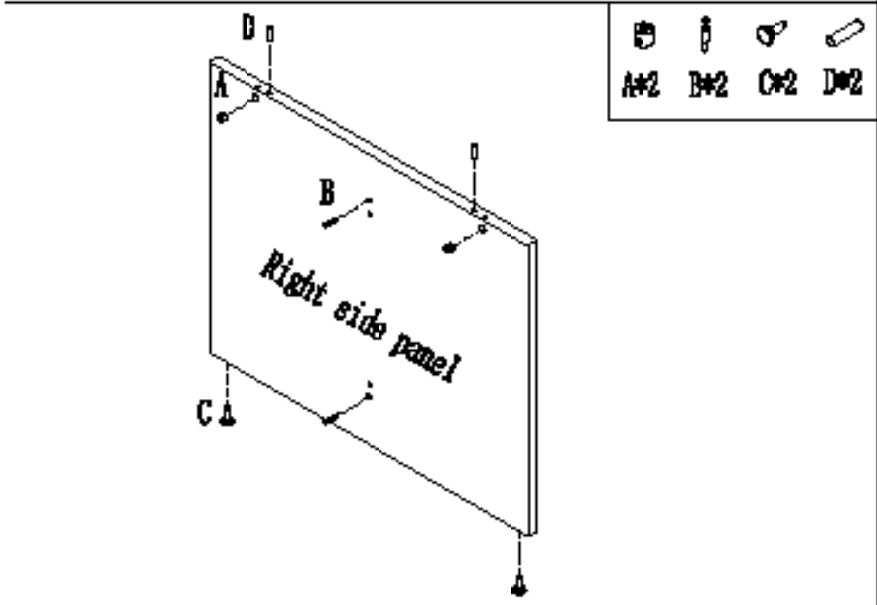


Installation/CAM-1273.N/CAM-2257.N Friant Wood CO.,LTD.

1

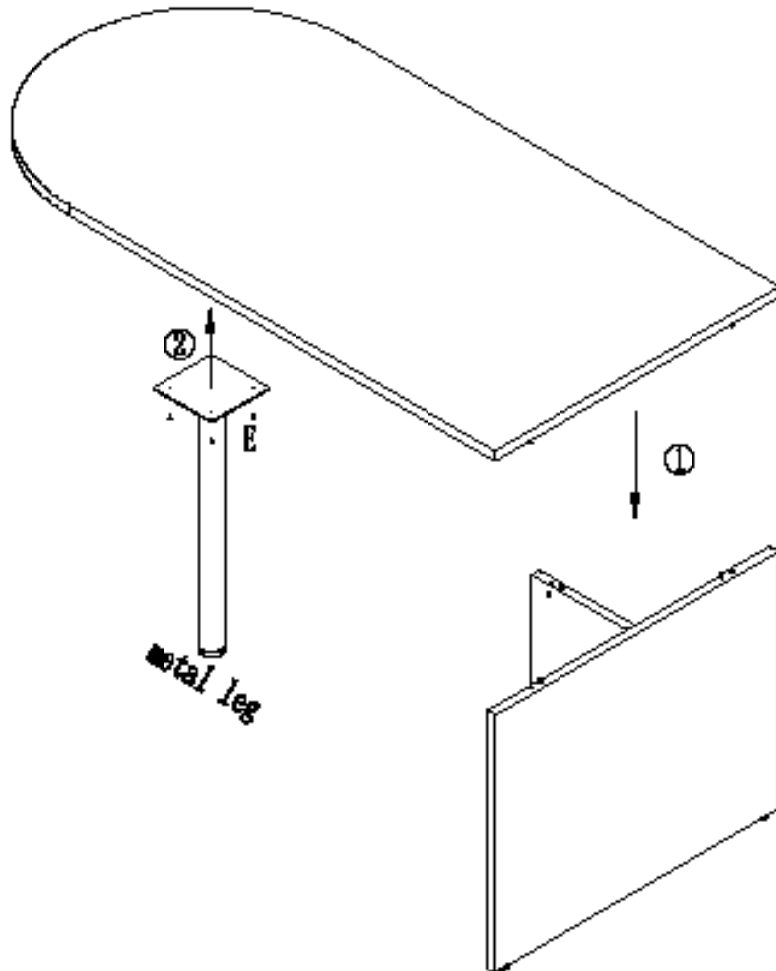


2



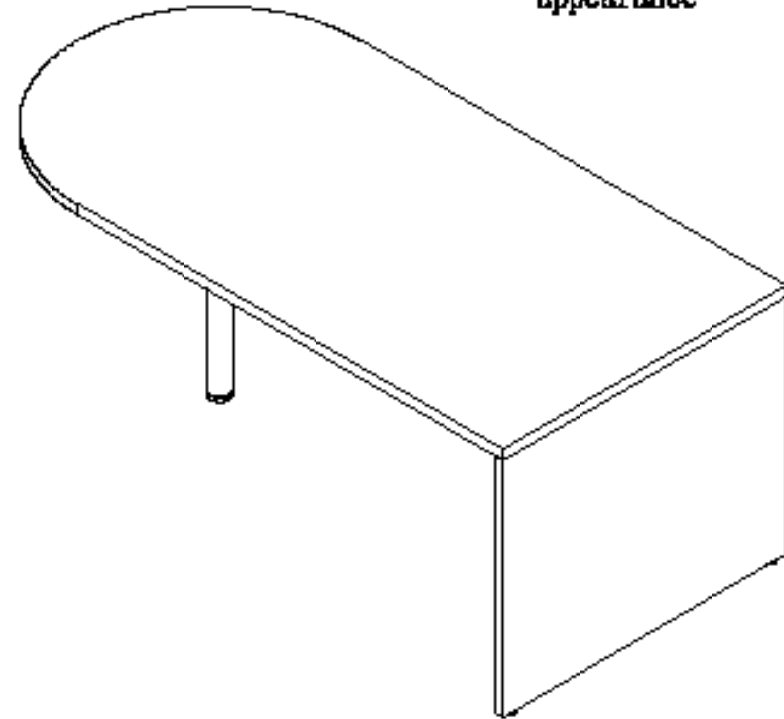
3

⚙
E+4



metal leg

appearance



Hardware

NO.	sample pic	name	QTY
A		Cam	5
B		Connector	5
C		Slider	5
D		Nail	5
E		Screw	4
F		Cam lid (cover)	5